



## GEA Fillstar CX EVO

Counterpressure volumetric electronic aseptic filler  
for still and carbonated products

Aseptic filling technology aims at reaching the best performance in terms of filling speed, accuracy, flexibility and, at the same time, maintaining the sterility of the product: GEA aseptic fillers are designed focusing on the elimination of any possible risk for the product and crucial attention to environmental control.

The volumetric counterpressure electronic filler Fillstar CX EVO is based on the principle of the magnetic flow meter. Thanks

to pneumatically controlled valves, filling cycle can be optimized for any product/container combination to obtain best filling performance or smallest footprint for the required speed.

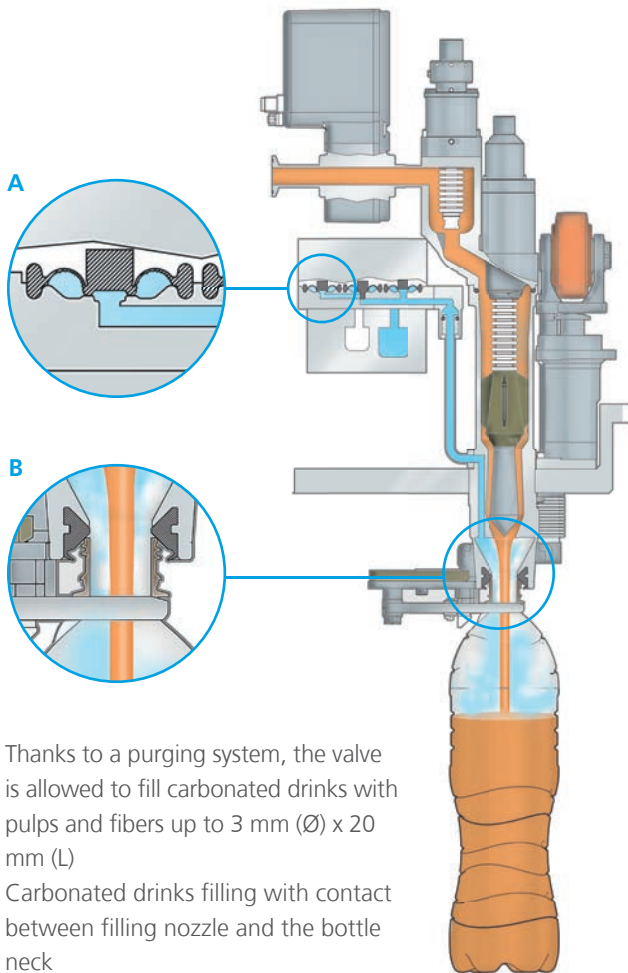
Any liquid product can be filled including high acid, low acid, CSD, still drinks, clear products and liquids with pulps and fibres. Fillstar CX EVO offers excellent performances for aseptic filling of still liquids, thanks to the absence of contact between

filling nozzle and the bottle neck when bottling still liquids, and of carbonated liquids with contact between bottle and filling nozzle.

Fillstar CX EVO is available in a range of models from 30 to 140 filling valves for a production speed from 6,000 to 68,000 bottles per hour when bottling still products and from 6,000 to 55,000 bottles per hour when bottling carbonated soft drinks.

# GEA Fillstar CX EVO

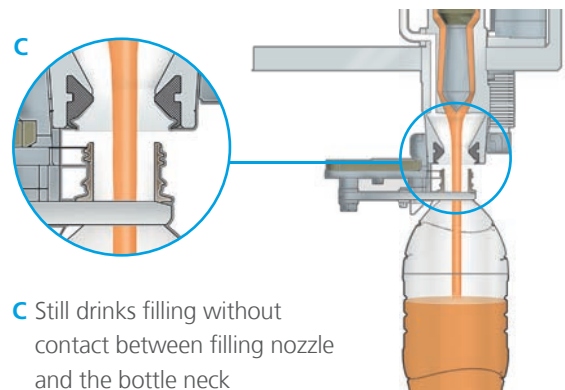
Counterpressure volumetric electronic aseptic filler  
for still and carbonated products



- A** Thanks to a purging system, the valve is allowed to fill carbonated drinks with pulps and fibers up to 3 mm (Ø) x 20 mm (L)
- B** Carbonated drinks filling with contact between filling nozzle and the bottle neck

## Features

- Counterpressure volumetric electronic filling head with magnetic flowmeters
- Full pneumatic control of filling cycle
- Central rotary product tank
- Membrane valves are used for pressurization, separate air return, snift
- Pipelined snift
- Filling from the center
- No contact between filling nozzle and the bottle neck when bottling still liquids
- Automatic CIP cups insertion and extraction for closed-loop CIP/SIP
- SIP performed with overheated water



- C** Still drinks filling without contact between filling nozzle and the bottle neck

## Advantages

- Versatile filling head: any liquid product can be filled including high acid, low acid, CSD, still drinks, liquids with pulps and fibers up to 3 mm (Ø) x 20 mm (L).
- Complete neck handling system: any container with the same neck finish can be filled with fast changeover.
- No filling valve change is required:
  - from neck finish 28mm to neck finish 38mm;
  - from still to carbonated product.
- Product measure with magnetic flowmeters that can be adapted to container with different shapes: product saving.
- Positioning of magnetic flow meters: easy access for maintenance of electronic components even during production.
- Pneumatic valves: filling cycle can be optimized for any product/container combination to obtain best filling performance or smallest footprint for the required speed.
- Controlled by industrial PC: easy connection with rest of line and supervision software; connection with optional Checkstar full bottle control for advances sampling and monitoring capabilities.

## GEA Italy

GEA Procomac S.p.A.  
Via Fedolfi, 29  
43038 Sala Baganza (Parma), Italy

Tel +39 0521 839411  
Fax +39 0521 833879

[gea.com/contact](http://gea.com/contact)  
[gea.com/filling](http://gea.com/filling)