

GEA Orbital Cleaner Cyclone



Technical data of the standard version

Recommended working pressure	4–10 bar (58–145 psi)
Cleaning diameter	Max. 12 m (39 ft)
Flow rate	2.5–6.2 m ³ /h (41–103 l/min / 11.0–25.5 USgpm)
Spray angle	360°
Operating temperature	Max. 95 °C (203 °F)
Ambient temperature	Max. 140 °C (284 °F), 30 min
Insertion opening	Min. Ø 72.9 mm (3 inch)
Materials	Stainless steel 316L (1.4404), C-PTFE
Weight	Approx. 2.0 kg (4.4 lbs)
Preferred mounting position	Any

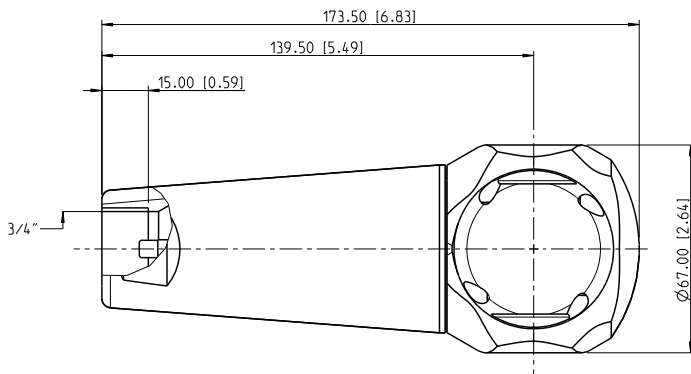
Special features
Powerful compact jet cleaner
Fits through 72.9 mm / 3 inch diameter hole
Low flow rate
High spray dwell time
Similar to Twister for maintenance purposes

Approx. cycle times		
Pressure	Nozzles Ø 3 mm	Nozzles Ø 4 mm
4 bar	2 min	3 min 30 s
6 bar	1 min 45 s	2 min 45 s
8 bar	1 min 30 s	2 min 15 s
10 bar	1 min 15 s	2 min

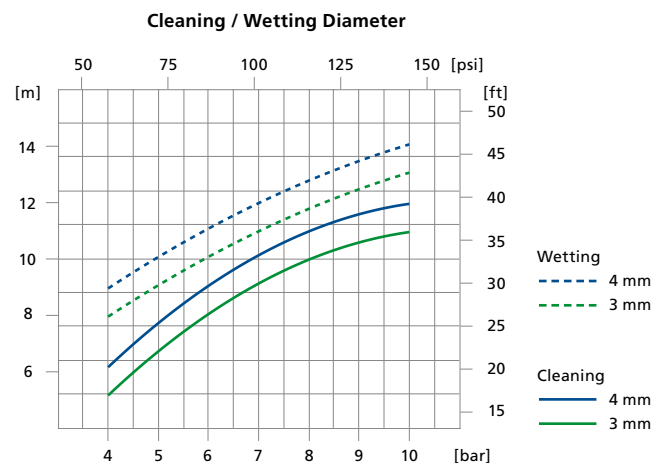
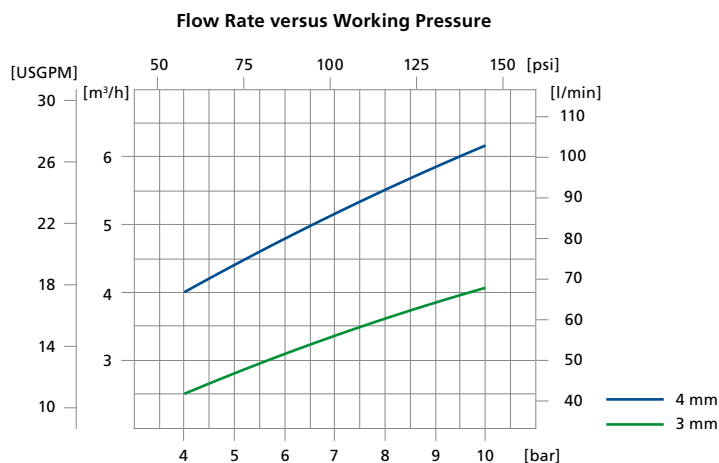
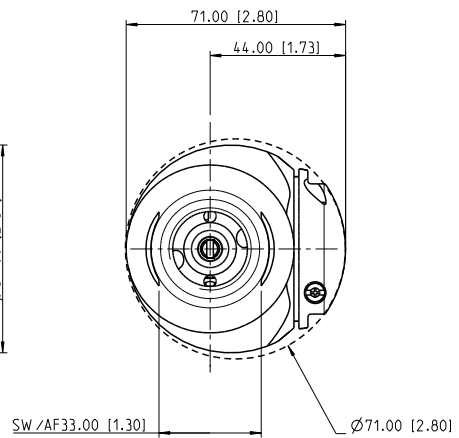
Version*	Article number
¾" BSP / 3 mm nozzles / C-PTFE**	4660-4990-212
¾" BSP / 4 mm nozzles / C-PTFE**	4660-4990-221
¾" NPT / 3 mm nozzles / C-PTFE**	4660-4990-214
¾" NPT / 4 mm nozzles / C-PTFE**	4660-4990-223

* optional with Pin Fix connection

** suitable for use in potentially explosive atmospheres



Dimensions (mm / inch)





GEA Tuchenhagen GmbH

Am Industriepark 2-10, 21514 Büchen

Tel. 04155 49-0

sales.geatuchenhagen@gea.com, www.gea.com