



## MVM mixer

The right mix is the key

GEA Farm Equipment | Mullerup

engineering for a better world

GEA Farm Technologies

# Welcome to the GEA speciality kitchen!

Anyone who thinks this is about cooking is not far off the mark: The powerful MVM stationary mixer is at the heart of every partially and fully automated feed supply system. It mixes all kind of roughage, concentrates and minerals with the greatest of care into a perfect mixed TMR ration which is ready to be distributed to your cows and ensures a high-yield milk production. Now it is only up to you to decide whether you will mix more or just one daily ration and if the distribution shall be an integrated part of your automatic feeding system. In either case the MVM mixer provides a massive work-saving for you, while the herd is optimally fed. With the time you have saved you can take up a hobby.

## Prepared totally naturally

The great asset of the MVM mixer is that it can cut down all kinds of bales, no matter if they are round or square, while still taking special care of the feed composition, whether it is grass, hay or straw. This is made possible by augers equipped with strong and sharp knives which gently cut the material into the optimal length but without spoiling the structure of the feed.

## Set up for a high throughput to the end

MVM mixer is constructed in high quality steel, generously-sized roller bearings in an oil bath - and electronic and hydraulic equipment protected within the control room make the MVM mixer a continuously running system that needs no particular care or maintenance.

## Elevator in modules

The free standing but integrated elevator can be optional placed at the MVM mixer and with its modular sections it can be delivered in various lengths. The strong toothed belts drive with carriers ensures a reliable function of the elevator and is able to handle all types of material. The stainless double bottom ensures an absolutely minimum of feed waste by distribution.

## A strong mixture full of benefits

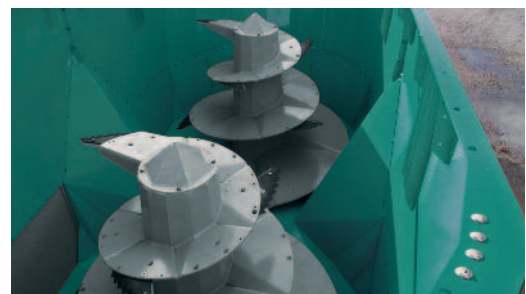
- volumes as desired from 8 – 45 m<sup>3</sup>
- top level effectiveness with gentle preparation
- complete feed output using a highly flexible elevator module
- top-class quality and long-lasting equipment from the systems specialists of GEA Farm Technologies



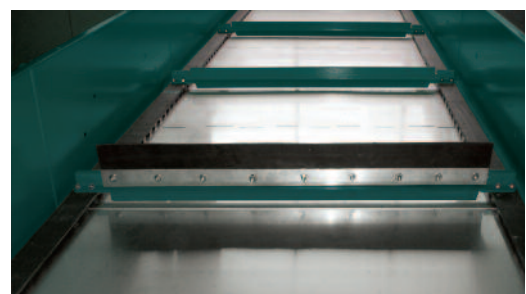
*MVM mixer – the heart of the feed supply system*



*Convincing insight: top quality material, low-maintenance technology*

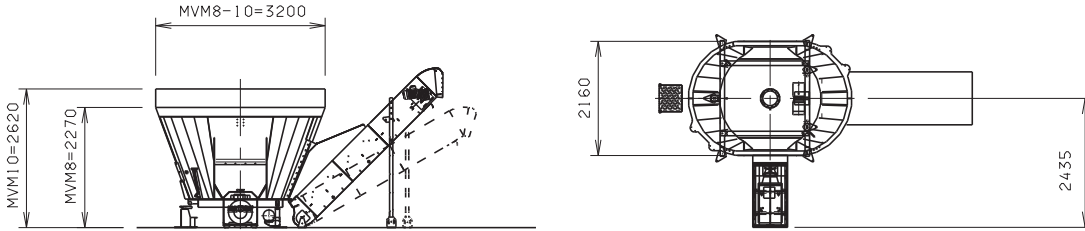


*A hand in the preparation: vertical augers with knives*



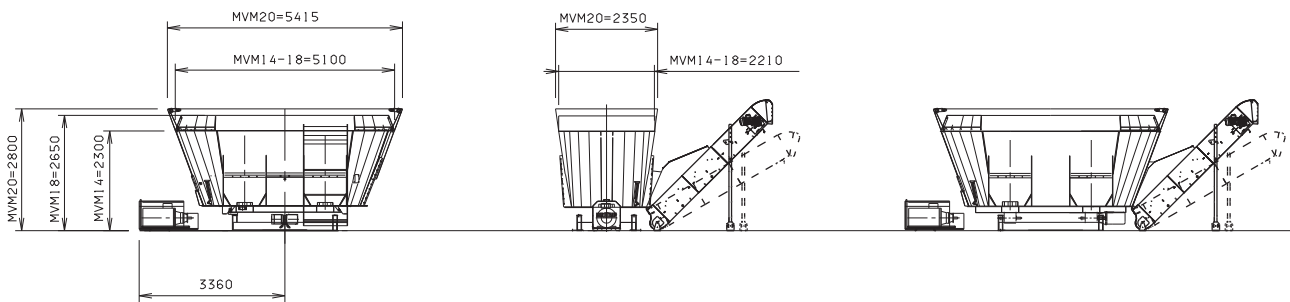
*Clean removal: flexible elevator module for all eventualities*

## MVM 8/10



▲ Elevator, only backwards

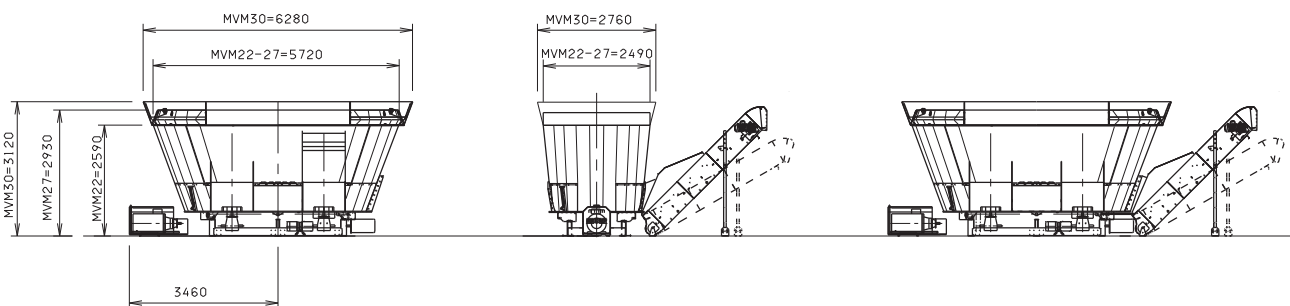
## MVM 14/18/20



▲ Elevator, sideways

▲ Elevator, backwards

## MVM 22/27/30



▲ Elevator, sideways

▲ Elevator, backwards

Technical data	MVM 8/10	MVM 14/18/20	MVM 22/27/30
No. of augers	1	2	2
Motor size, kW	12	22	30
No. of blades	5	10	14
No. of shearbars	2	2	2



## *We live our values.*

Excellence • Passion • Integrity • Responsibility • GEA-versity

GEA Group is a global engineering company with multi-billion euro sales and operations in more than 50 countries. Founded in 1881, the company is one of the largest providers of innovative equipment and process technology. GEA Group is listed in the STOXX® Europe 600 index.

### GEA Farm Technologies GmbH

Siemensstraße 25 - 27, D-59199 Bönen  
Tel. +49 (0) 23 83 93 7-0, Fax +49 (0) 23 83 93 8-0  
[www.gea-farmtechnologies.com](http://www.gea-farmtechnologies.com)