

GEA GS Screw Compressor Packages

Models 55GS - 85GS
164 to 264 CFM

The GEA advantage

GS compressor design

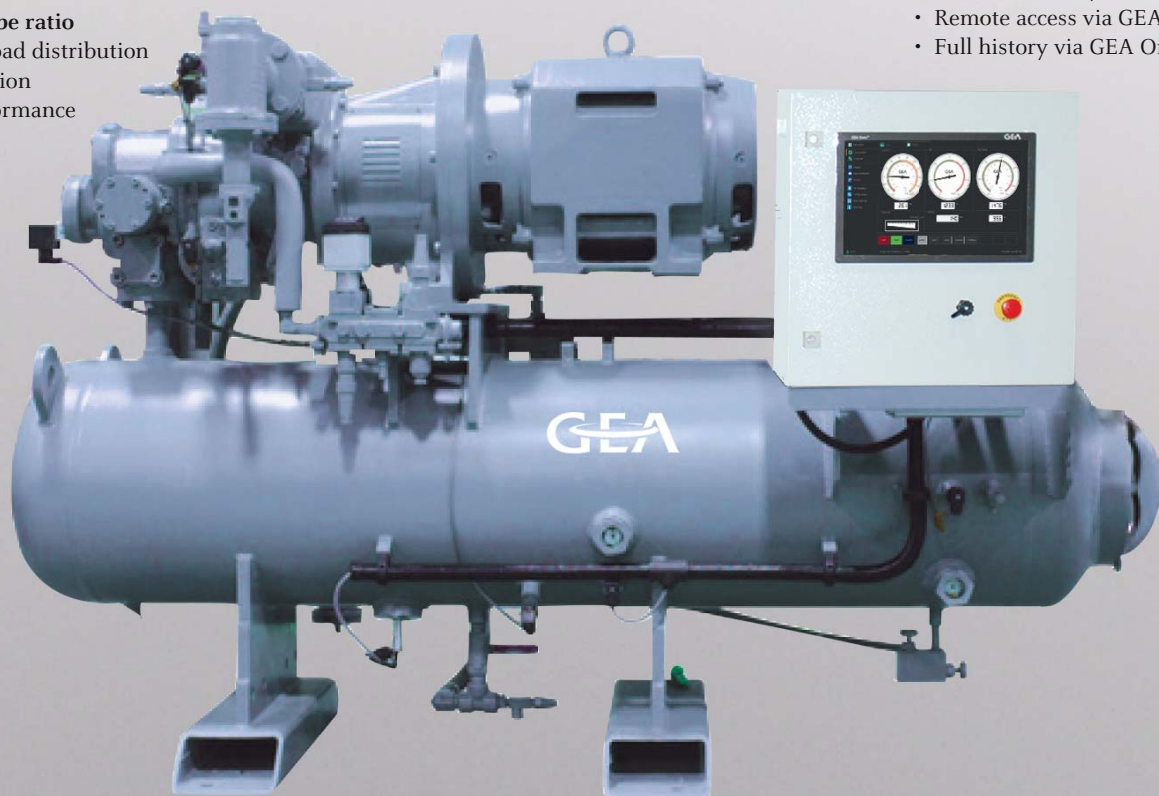
- Proprietary line-generated rotor profile and optimized rotor dimensions for improved volumetric efficiency and lower power consumption
- Unique Hermetic Differential Transformer (HDT) transmits slide valve position without wear or friction and requires no external seal
- Internal oil pump for capacity control on high-stage units

GEA Omni™ control panel

- High-definition 15.6" color display
- Multi-touch screen for natural and intuitive input
- Configurable modbus TCP/IP communication
- Documentation, drawings and video available directly on the panel display
- Remote access via GEA OmniLink™
- Full history via GEA OmniHistorian™

5:6 male to female lobe ratio

- Improved bearing load distribution
- Lower noise generation
- Better bhp/ton performance



Package features

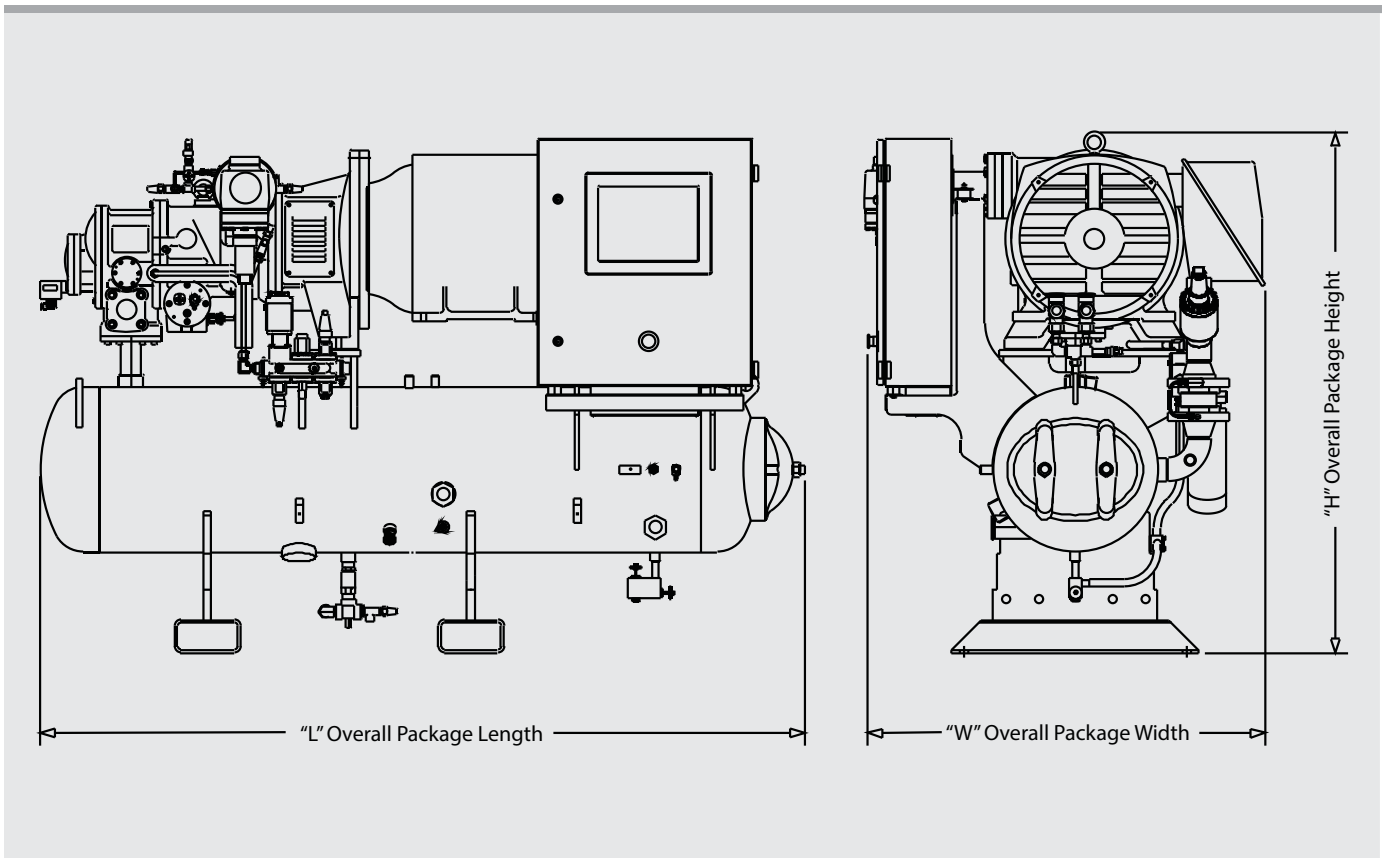
- Multi-stage oil separator design guarantees low oil carryover
- Three-way thermostatic oil temperature control valve standard with oil cooler options
- High performance, steel, elastomeric coupling with high torque center member for quick installation and removal
- Unique keyless frictional coupling hub on the compressor end provides an easily adjustable and releasable mechanical shrink fit
- Optional IntelliSOC™ liquid injection oil cooling



GEA Refrigeration North America's GS models represent the lower swept-volume offerings of the company's robust lineup of screw compressor packages, which in total span the 164 to 8,150 CFM range. These innovative designs provide significant performance, cost-saving and maintenance advantages and feature GEA's Xceptional warranty.

All GEA Refrigeration North America screw compressor packages feature the new, industry-leading GEA Omni™ control panel. GEA Omni provides a high-definition, multi-touch screen and delivers the ease of use and technical wow factor that industrial refrigeration professionals have come to expect from GEA.

Technical Data										
Model No.	Application	Vessel Diameter (Inches)	Cooling Type	Approximate Dimensions (Inches / Millimeters)			Standard Connections			
				L	W	H	Suction		Discharge	
							Inches	DN	Inches	DN
55GS-60GS	High-Stage Booster	20	LI	93 / 2362	50 / 1270	63 / 1600	2.5	65	2	50
			TSOC	94 / 2387	52 / 1320	63 / 1600	2.5	65	2	50
75GS-85GS	High-Stage Booster	20	LI	93 / 2362	50 / 1270	63 / 1600	3	80	2.5	65
			TSOC	94 / 2387	52 / 1320	63 / 1600	3	80	2.5	65



GEA Refrigeration Technologies

GEA Refrigeration North America, Inc.

3475 Board Road, York, PA 17406

Phone: +1 717-767-6411, Fax: +1 717-764-3627

sales.gearna@gea.com, www.gea.com