

SERVICE FOR VALVES & PUMPS

Our service for your components.



Legal notice

Publication date: 2024

The publication of specifications, technical data, and information in written or electronic form does not release the user from the responsibility of checking for themselves all products delivered by us for suitability for the application(s) intended. These may be subject to change without prior notification. Errors and printing errors excepted – we assume no liability for the correctness of specifications given.

The general terms and conditions of delivery apply.

All rights reserved – copyright on all contents. The ® symbol in this catalog identifies a trademark registered in certain countries.

Trademarks shown in this publication are registered in several countries worldwide.

GEA Tuchenhagen GmbH

Am Industriepark 2–10
21514 Büchen, Germany
Tel +49 4155 49-0

GEA Hilge Niederlassung der

GEA Tuchenhagen GmbH
Hilgestrasse 37–47
55294 Bodenheim, Germany

GEA Aseptomag AG

Industrie Neuhof 28
3422 Kirchberg, Switzerland
Tel +41 34 4262929

Registered office:

Büchen, Court of Registration: Lübeck, HRB 836 SB

Management office:

Soeren de Boon, Tatjana Fischer, Karsten Becker

Sales tax identification number: DE 812589019.

CONTENTS

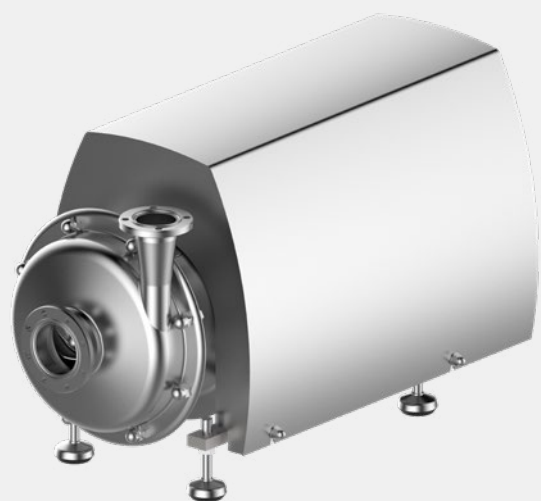
06	Valves & Pumps
08	Service
11	Getting You Started
12	Service Training
13	Installation and Commissioning Support
14	Keeping It Running
15	Maintenance of Valves & Pumps
16	Rent a Pump
17	On-Site Technical Support
18	GEA Repair Workshop
20	Remote Support
21	Genuine Spare Parts
23	Constantly Improving
24	Upgrades and Conversions
25	Workplace Safety Matters
26	Together with You
27	Service Level Agreements
29	Service Tools
30	Hygienic Valves
44	Aseptic Valves
54	Hygienic Pumps
60	Cleaning Technology
64	Yes, We Scan
65	Simple and Digital: All the information on Valves and Pumps



GEA
Hygienic valve technology



GEA
Aseptic valve technology



GEA
Hygienic pump technology



GEA
Cleaning technology

FLOW ON, STRESS OFF



**Hygienic
Valves**

A complete range of economically designed **hygienic valves** for complex tasks as well as basic functions, helping producers to achieve a high level of product quality and efficiency.



**UltraClean
and Aseptic
Valves**

UltraClean and aseptic valves are suitable for production processes that require a higher level of safety protection against contamination from the environment and thus warrant microbial stability of the product throughout the whole process.



**Hygienic
Pumps**

A great variety of **hygienic pumps** with sensibly rated high-efficiency motors and carefully designed flow paths, driving economic efficiency and sustainable operation.



Cleaners

Index, orbital, rotating, and static **cleaners** in a complete range, developed with special emphasis on saving valuable resources in the cleaning process.

For a Powerful Service Offer

Is your process going strong and your plant performing at full capacity? At GEA, we want it to stay that way every day. That's why we don't just build the best components for our customers, but also offer competent, reliable maintenance for all your GEA equipment over the entire service life of the plant. It's yet another great reason to choose GEA!

Our GEA Service specialists are based in our research and production centers and know our valves and pumps like no one else. This enables them to master every service call scheduled either for normal maintenance or to fix a fault quickly and with minimum effort – so that you can resume production as soon as possible.

Our service offer means relief for your entire organization. We offer a wide range of services for you to maintain your components – from implementation to inspections, repairs, and upgrades. Or we can professionally train your employees and make them your own in-house experts for your GEA equipment.

Get original spare parts from GEA and ensure high reliability and safety – dedicated contacts are ready to help you with your order. If we receive a maintenance service request from you, the spare parts also come with us to your location.

Additionally, take advantage of our wide range of consulting and support services. That way, you can be sure your components are optimally adjusted to your individual process and plant conditions and to sustainable use. Customized service level agreements facilitate schedule management and cost overview. In summary: "Flow on, stress off."

LONG LIVE YOUR PLANT!

The Best Service since Day One for Long-Life Components.

GEA offers a comprehensive array of components across four product areas for smooth workflows in the processing of liquid products: hygienic valves, hygienic pumps, aseptic valves, and cleaning technology. With their tailored, modular, and hygienic design, our innovative technologies stand for flexibility, efficiency, safety, and reliability.

GEA Valves & Pumps meet the highest hygiene standards where required, such as EHEDG and 3-A standards. Hygienic valves and components from GEA form the core component of matrix-piped process plants. When it comes to sterile applications, GEA offers both UltraClean and aseptic valves. The hermetic sealing of the product area provides a maximum level of process line isolation and thus contributes to process and product safety. The hygienic pump range from GEA includes centrifugal pumps (single-stage, multistage, and self-priming) as well as rotary lobe pumps. GEA cleaning devices – whether index, orbital, rotary, or static – achieve optimum cleaning results in multiple industries. GEA product recovery systems help to recover valuable products and reduce both waste-disposal costs and water and detergent consumption.

We work alongside our customers in close partnerships, supporting them throughout the full life cycle of their plant and equipment to ensure lasting business success.

Excellent equipment or plants are one thing; the right service is another. With several options of the innovative service concept “GEA Service – for Your Continued Success,” GEA customers are being optimally supported throughout the entire life cycle of their installed systems and components. From project engineering, installation, and commissioning to maintaining and improving the performance of the customer's plant and equipment.

Thanks to a dedicated and experienced team that places the highest value on innovative spirit, comprehensive expertise, technical attention to detail, and reliable service, GEA Valves & Pumps keep your production flowing with a comprehensive range of innovative and high-quality components in the four areas of hygienic valves, hygienic pumps, aseptic valves, and cleaners.

How GEA accompanies your production processes

Together with You

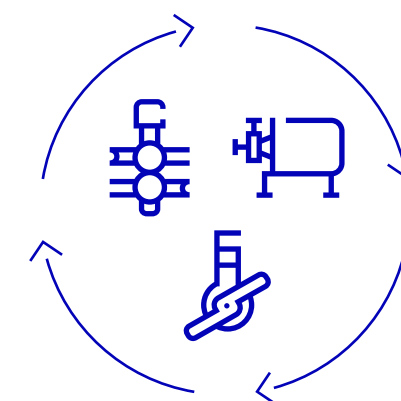


SLA
(Service Level Agreements)

Constantly Improving



Upgrades & Conversions



How GEA makes your production processes even better

Getting You Started



Service Training (in-house/on-site)



Installation & Commissioning Support

Keeping It Running



Maintenance of Valves & Pumps



Rent a Pump



On-Site Technical Support



GEA Repair Workshop



Remote Support



Genuine Spare Parts from OEM

Getting You Started

When entering the service world of GEA Valves & Pumps, you are provided with support and service training, both at our factory and also on-site at your plant.

GEA is also always on hand to assist with installation and commissioning. Throughout the life cycle of the components, GEA supplies original OEM spare parts on request.

Keeping It Running

For the maintenance of the plants, it is recommended to service the valves and pumps. Also Technical support on-site, as well as the GEA repair workshop and remote support are also guaranteed.

In addition, you can rent our pumps with conditions and costs tailored to your individual needs at fixed prices.

Constantly Improving

Transform processes and equipment with our continuous commitment to improvement. Our support in upgrading for energy efficiency, cost reduction, output adjustment, or safety enhancement is dependable and efficient. We share expertise, ensuring innovative solutions for performance and reliability.

Together with You

With GEA, you benefit from a service that is tailored precisely to your needs. Our Service Level Agreements (SLAs) are customized contracts that ensure you receive the services you require - we adapt to your individual requirements.

GETTING YOU STARTED

Service Training



Installation and Commissioning Support





Service Training



Make Your Staff Component Experts!

Our certified and experienced service engineers train your employees – on-site or in one of our modern training centers. They will provide your staff with comprehensive operational training, valuable product knowledge, and maintenance tricks and tips so they can safely and expertly run and maintain your components from day one.

Some of the training modules are standard calendar training conducted by GEA on a regular basis. Properly prepared, facilitated, and executed customer training is a win-win situation!

Secondly, training modules are tailored to the individual needs of your business, delivering decisive advantages:

- Relevant valves/components in your plant
- Relevant pumps
- Highly qualified and efficiently trained personnel
- Location of training

By sharing our knowledge, we help to ensure your business benefits from maximum efficiency and minimum downtime.

Explore your training opportunities by visiting this link:

Installation and Commissioning Support



Start Your Operation with the Most Effective Setup.

Enter into a partnership with a dedicated team of GEA service experts to guarantee the safe and efficient installation of your components. We will provide all the relevant information to maintain the components more productively and to keep them running smoothly from the beginning.

GEA's engineering, installation, and subject matter expertise, combined with our manufacturing know-how, ensures optimum plant performance from day one.

Ensure Safety and Efficiency from Day One!

Because we understand the complete performance of our valves and pumps, with a strong emphasis on interface competency, we can set up your equipment in the most effective way. You can always expect maximum safety and production reliability.

Collaborate with GEA's service experts for secure and efficient component installations:



KEEPING IT RUNNING



Maintenance of Valves and Pumps



Rent a Pump



On-Site Technical Support



GEA Repair Workshop



Remote Support



Genuine Spare Parts



Maintenance of Valves and Pumps



Corrective Maintenance – 24/7 Responsiveness, 100% Efficiency

Our maintenance and repair services stand for precision work and utmost manufacturer's responsibility. Our maintenance and repair services are never far away, securing:

- Expertise of the original plant manufacturer
- Highest safety and functional standards
- Maximized plant availability, around the world

Servicing Intervals

To ensure the highest operational reliability, all wearing parts should be replaced at longer intervals. The actual servicing intervals can only be determined by the operating company since they depend on the operating conditions, for instance:

- Daily period of use
- Switching frequency
- Type and temperature of the product
- Type and temperature of the cleaning solution
- Ambient conditions

Preventive Maintenance – Benefit from Continuous Production

GEA's preventive maintenance services keep your equipment operational and extend service life. Time-based servicing costs less than fault repairs. We understand the need for continuous plant operation in today's business environment. Our global specialists are always on hand with up-to-date equipment and process expertise to ensure the continued operation of your plant.

- Optimally maintained machines
- Maximum operation/production reliability
- Optimized product quality

You will find the right contact person for your needs here:





Rent a Pump



Tailored to Your Production Processes

GEA provides versatile rental pumps from the Hilge HYGIA series, offering a solution for production peaks or bottlenecks. These pumps, suitable for various liquid media, come with a chassis for flexibility, an integrated frequency converter, and adjustable speed and power.

GEA Hilge specialists offer consultation, technical support, and maintenance during the leasing period. Delivery and return options are flexible, with tailored conditions and fixed prices, ensuring planning security and cost control.

Renting for a year grants automatic ownership at no extra cost, and purchasing during leasing offers discounted prices. Benefit from a 20% lease discount for interim solutions during breakdowns, repairs, or delivery delays. Create additional capacities without long-term investment during temporary production peaks.

You will find the right contact person for your needs here:

On-Site Technical Support



Make Expertise Work for You!

Meeting new demands requires more than just part replacement. GEA service experts understand the challenges, malfunctions, and behavior of valves and pumps. We support you in troubleshooting and addressing irregularities in these critical components, combining technical expertise with practical experience.

Our experts analyze the condition of valves and pumps during operation, offering tailored solutions to enhance their performance and reliability. With up-to-date knowledge of safety and hygiene requirements, we provide on-site consultations to study your specific application and recommend optimal utilization strategies.

In the evolving landscape of modern industries, addressing complex needs demands specialized expertise. At GEA, we recognize that effective troubleshooting and understanding of valve and pump behavior require a nuanced approach. Our team is equipped to diagnose issues, optimize functionality, and provide insights that extend beyond immediate fixes.

We offer comprehensive consultations to evaluate operational conditions, applying the latest industry standards. Through detailed assessments, we deliver personalized recommendations aimed at maximizing equipment performance and longevity.

With GEA service experts, you gain a partner dedicated to helping you overcome challenges and achieve operational excellence. We provide the support and guidance needed to ensure the long-term efficiency and reliability of your systems.

You will find the right contact person for your needs here:



GEA Repair Workshop



Sustainable Maintenance of the Performance of Valves & Pumps When It Comes to Repairs of Your Components.

GEA is a reliable partner who carries out all work with care and precision. When inspecting the pumps and valves, we focus on customer-friendly solutions that are within the quality guidelines as well as your individual specifications. Among other things, we carefully check the feasibility of an inexpensive repair. Damaged parts can often be reused through reworking. This also takes care of economic aspects by ensuring a resource-saving use of materials.

Our comprehensive stock of wearing parts guarantees a quick and professional overhaul of the valves and pumps at our factory. Our expertise is your advantage. Our qualified experts ensure optimal repair. With many years of experience, they have developed precise solutions to problems. All valves and pumps undergo final testing for the desired parameters on our test bench. In addition, we offer services such as a recommendation for a tailored preventive maintenance program as well as for stocking spare parts. We also offer you valve repair, including internal assembly of the valve and aseptic valve bellows. This enables the service life of your valve to be extended with our economic solution. Your investment is in safe hands.

Advantages when sending in your pump or valve for repair

- Professional repairs with the same precision and quality as newly produced components
- Your on-site processes remain completely unaffected
- Conversion of your pump is possible in the event of changed production conditions or applications
- Original spare parts and certificates
- Final test-bench acceptance provides performance and quality assurance after the repair

You will find the right contact person for your needs here:

Aseptomag® Bellow Repair Service

Stainless-steel bellows in aseptic valves, crucial for contamination-free processing, require periodic replacement. Instead of discarding the entire insert unit, benefit from GEA's send-in repair service. We replace the bellows at our production site with the same quality and care as new components, providing a cost-effective solution.

Our experienced welders perform the repair at our production site, ensuring quality. During the brief repair period, spare inserts with new bellows are provided.

GEA's Aseptomag® bellow repair service can save approximately 60% of material costs compared to replacing the entire valve insert. Savings increase with larger valves and insert units.

You will find the right contact person for your needs here:

Pump Repair Workshop

In our pump repair workshop, we offer customer-friendly solutions to maintain the performance of your pumps. We will carefully inspect your pumps within the framework of quality guidelines and your individual specifications and create a repair plan for you.

On-site assembly:

Our experienced team can also carry out repairs and modifications to your pumps on-site. This saves you time and money

Hygienic Pumps Toolkit

Furthermore, we offer the GEA Hilge Hygienic Pumps Toolkit, specially designed maintenance tools that prevent damage to sensitive pump components. These tools include brass sleeves for safe mechanical seal mounting, plastic sleeves for easy seal positioning, ejectors for mechanical seal disassembly, and plastic socket spanner inserts for impeller nut handling, all ensuring proper assembly and maintenance.

You will find the right contact person for your needs here:



Remote Support



A Solution to Provide Support Remotely When an Incident Occurs, Targeting Every Customer Who Needs Operational Support.

Smartphone or Tablet? We Are at Your service!

GEA Remote Support is the service that keeps your production plant operational and reinforces your productivity. Get direct access to our experts without installing any hardware in your plant.

With GEA Remote Support, you have access to GEA's large pool of experts without installing any hardware in your plant. Only your preferred digital device (smartphone or tablet) is needed.

Rapid Response and Increased Uptime

GEA Remote Support is the improvement of traditional, fully on-site processes. It provides the technical support you need, when you need it, and gets your equipment back in operation faster. You will save time and money as there is no need to wait for engineers to arrive or pay travel costs. Through remote support, we provide you with direct access to our experts who can help you resolve a wide range of technical and operational issues online.

Issues Resolved at Your Convenience

With GEA Remote Support, help will be right at your fingertips. You can connect through a wide range of communication tools to resolve an issue with the help of our GEA experts. We are taking our service delivery efficiency to a new level by always being available for you with rapid problem identification and, ultimately, increased equipment uptime.

Your benefits

- Bypass on-site intervention and reduce related costs and downtime
- Faster on-site resolution as key information is known in advance
- Faster and direct communication and support via your device
- A global pool of experts at your service
- No hardware needed, only your own digital device (phone, tablet, etc.)
- Another step on your sustainability journey. With Remote Support, you reduce your carbon footprint by eliminating unnecessary traveling, help to extend the life cycle of the machines, and save energy and raw materials by acting fast to avoid product losses.

You will find the right contact person for your needs here:



Genuine Spare Parts



When Spare Parts Are Vital, Ours Are Available.

Genuine spare parts from GEA provide you with the level of safety required to improve the efficiency of your plant. GEA customers benefit in numerous ways from our comprehensive and efficient spare parts service:

- Highest safety level
- Long-term availability
- Optimized delivery times
- Maximum service life
- Highest quality standards

Genuine GEA spare parts protect your investment, keeping your operations running at the highest levels of efficiency and reliability. Each part is warranted to be manufactured to extremely high standards. Custom pre-analysis of critical machine parts, on-time delivery, and global availability ensure safe plant operation. You can find the complete spare parts list and recommended tools list with the relevant part numbers to order in this handbook.

Order & Offer Management

Hygienic Valve & Cleaning Technology (Buechen):

dach.tuchenhagen@gea.com
nam.lam.tuchenhagen@gea.com
nce.ee.tuchenhagen@gea.com
apac.tuchenhagen@gea.com
wemea.tuchenhagen@gea.com

Aseptic Valve Technology (Kirchberg):

sales.aseptomag@gea.com

Hygienic Pump Technology (Bodenheim):

dach-ee-nce.hilge@gea.com
we-mea-lam.hilge@gea.com
nam.hilge@gea.com
apac.hilge@gea.com

CONSTANTLY IMPROVING

Upgrades and Conversions





Workplace safety matters

Safety is an essential part of our continuous improvement. At GEA, we place particular emphasis on safety measures that not only ensure the protection of employees, but also increase the efficiency and reliability of operational processes. Two key initiatives that shape our safety standards are comprehensive safety management and “Lock out, Tag out” (LoTo) devices.

“Lock out, Tag out” (short: LoTo)

... is a principle to avoid the unintended activation of machines by locking and securing the corresponding energy source.

“Lock Out”: Shut, lock, close
“Tag Out”: Mark with a sign

Safety offers a significant opportunity to increase operational efficiency and employee well-being. Our safety philosophy goes beyond simple compliance with regulations. We view safety as a strategic advantage that builds employee confidence and improves organizational performance.

Upgrades and Conversions



Boost the Potential of Your Equipment.

We are continuously looking for new ways to improve your processes and equipment. When market conditions, new regulatory standards, or technological changes require you to upgrade or modernize, we are here to support you in the change to reduce energy, cut costs, adapt output, or enhance safety. We share our expertise with you to design the right innovative solution – ensuring performance and reliability.

Contact your local GEA partner and get to know our special upgrade opportunities for valve control tops, e.g. to use state-of-the-art I/O-link plant network technology or to reduce energy consumption with the LEFF® valve-cleaning function.

Reflect changing needs in your applications by upgrading or converting your pumps, for example to benefit from different seal materials, seal types, or connections.

Identify the Most Effective Upgrade

As industries evolve and technologies advance, staying ahead of the curve is essential to maintain competitiveness and efficiency. At GEA, we're committed to continuously enhancing your processes and equipment to meet the demands of changing market conditions, regulatory standards, and technological advancements.

When the need arises to upgrade or modernize your systems, our dedicated team is here to provide expert support every step of the way. Whether your goal is to reduce energy consumption, streamline operations, adapt output, or enhance safety, we collaborate closely with you to design innovative solutions tailored to your specific requirements.

Drawing upon our extensive expertise and industry knowledge, we work hand in hand with you to identify the most effective upgrade options for your processes and equipment. From valve control tops to pump systems, we offer a range of specialized solutions designed to optimize performance, reliability, and efficiency.

Ensure Maximum Performance

When it comes to pump upgrades, we understand the importance of flexibility and adaptability. Whether you're looking to incorporate different seal materials, seal types, or connections, our comprehensive upgrade options allow you to tailor your systems to meet evolving application needs effectively.

By leveraging our upgrade and conversion services, you can ensure that your processes and equipment remain at the forefront of innovation, delivering maximum performance, reliability, and efficiency. Contact your local GEA partner today to explore our specialized upgrade opportunities and take your operations to the next level.

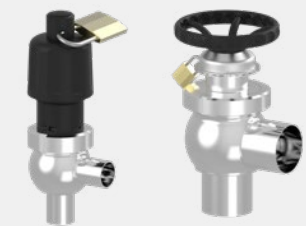
Disk Lock for VARIVENT® and D-tec® seat valves

This device blocks the movement of the valve disk to prevent any unintentional actuation. It can be installed on all standard nominal sizes of our single- and double-seat valves.



Bellow Lock for VESTA valves

Special LoTo devices for VESTA® valves enable safe maintenance and commissioning by visually marking and blocking the energy supply.



Disk Lock for butterfly valves

The disk-lock device can be used for all nominal sizes of our hygienic valves and thus prevents any unintentional movement of the valve.



Disk Lock for Aseptomag® Double-chamber valve

As the latest addition to our range, Aseptomag® double-chamber valves can now be fitted with disk-lock devices, which offer the same maximum safety level as our proven disk-lock solutions on our hygienic valves.



Air Lock for all hygienic and aseptic valves

This device prevents the pneumatic actuation of valves by blocking the air supply. This solution is independent of the nominal size and is suitable for all hygienic and aseptic valves.



Explore our LoTo solutions here:

[Read more](#)

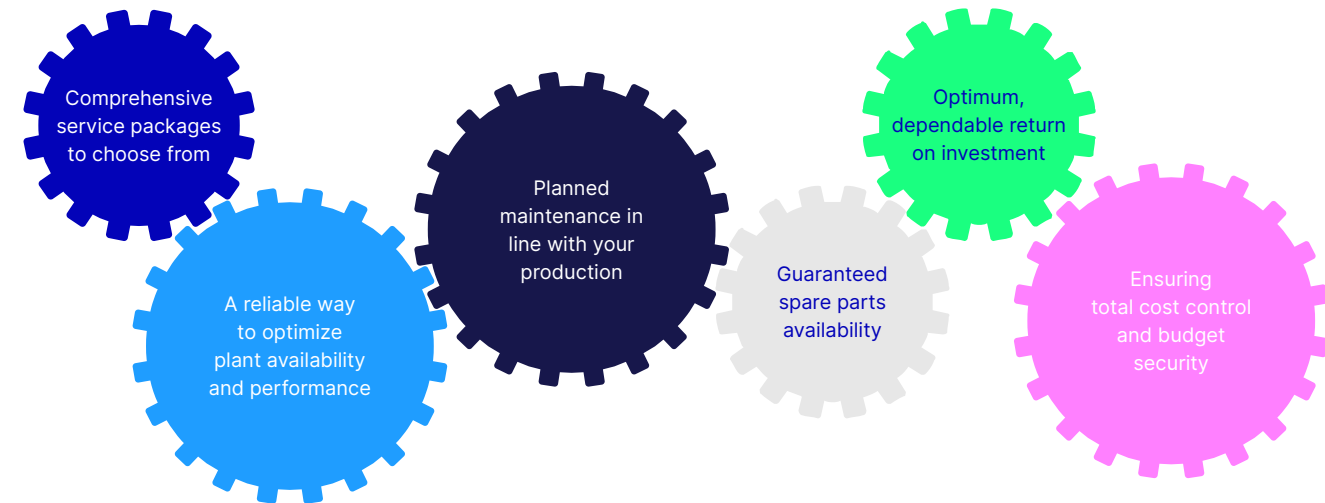
TOGETHER WITH YOU



Service Level Agreements



Service Level Agreements



An excellent machine is one thing; the right service is another. SLAs from GEA avoid cost traps and offer service packages focused on availability and cost control. Across the entire life cycle of the valves and pumps, inspection, maintenance, and monitoring services supplied by GEA offer distinct advantages.

These include:

- Higher availability of the machine
- Reduced standstill times
- Optimized machine operation
- Maximum planning reliability

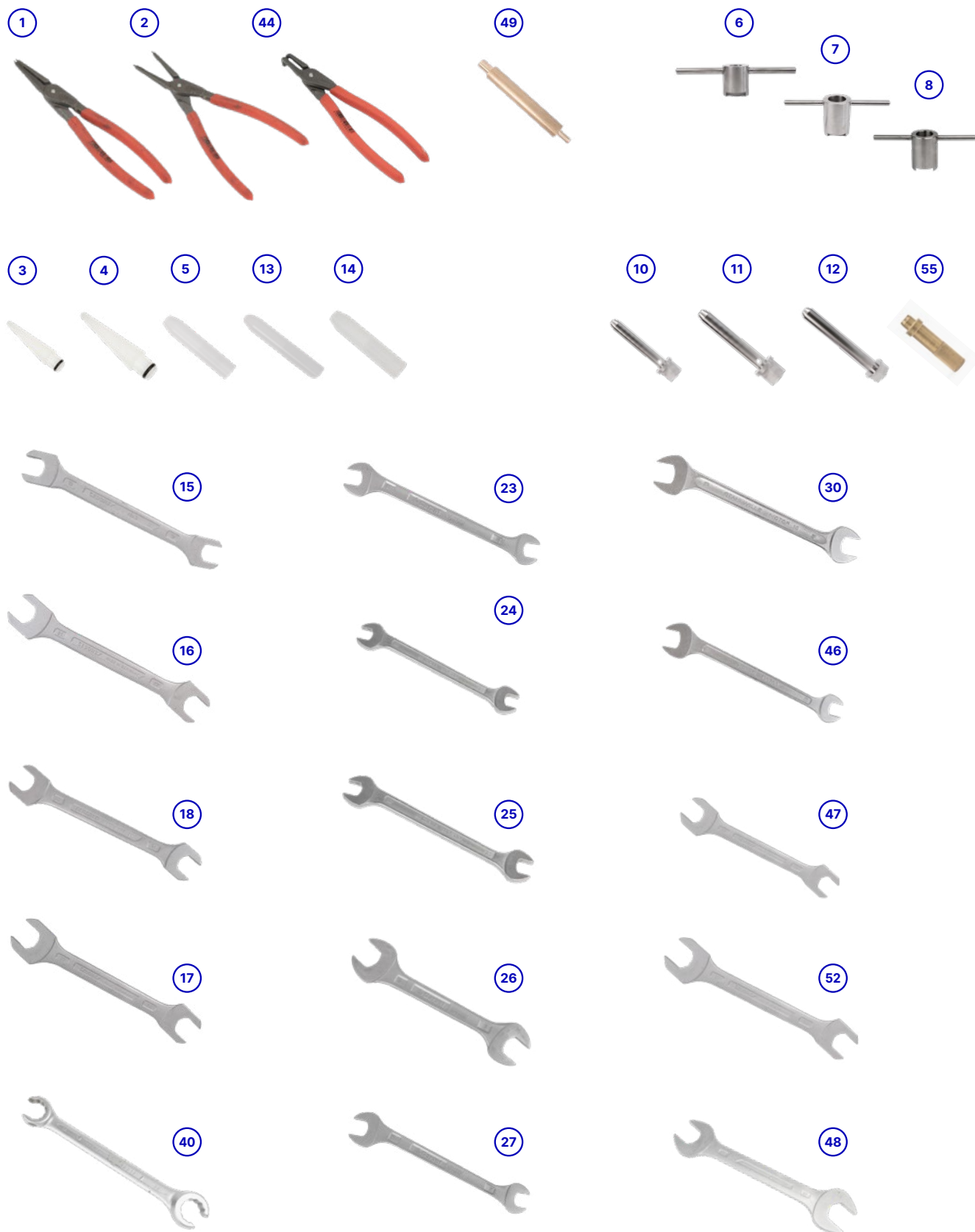
With our SLA, we offer maintenance packages to optimize the performance of your valves and pumps in the most efficient way.

Explore the Service Level Agreements' site:

SERVICE TOOLS

Hygienic Valves: VARIVENT® ECOVENT®	30
Aseptic Valves: Aseptomag®	44
Aseptic Valves: VESTA®	46
Aseptic Valves: D-tec®	53
Hygienic Pumps	54
Cleaning Technology	60

Hygienic Valves: VARIVENT® and ECOVENT®



- 1 Snap ring tongs, straight
- 2 Snap ring tongs
- 3 Installation mandrel DS
- 4 Installation mandrel DS
- 5 Installation mandrel DS
- 6 Mounting tool Y
- 7 Mounting tool Y
- 8 Mounting tool Y
- 9 V-ring insertion tool
- 10 Mounting tool VT
- 11 Mounting tool VT
- 12 Mounting tool VT
- 13 Installation mandrel
- 14 Installation mandrel
- 15 Open-end spanner 17 × 19 mm (ground down)
- 16 Open-end spanner 22 × 24 mm
- 17 Open-end spanner 27 × 30 mm
- 18 Open-end spanner 21 × 23 mm (ground down)
- 19 Wrench socket, turned down 27 mm
- 20 Hook wrench 25/28

- 21 Pin punch with handle 6 mm
- 22 Hose cutter
- 23 Open-end spanner 10 × 11 mm
- 24 Open-end spanner 12 × 13 mm
- 25 Open-end spanner 13 × 15 mm
- 26 Open-end spanner 30 × 32 mm
- 27 Open-end spanner 14 × 17 mm
- 28 Allen key 3 mm
- 29 Strap wrench
- 30 Open-end spanner 16 × 18 mm
- 31 Hook wrench 34/36
- 32 Hook wrench 45/50
- 33 Hook wrench 30/32
- 34 Hook wrench 45/50
- 35 Box spanner 30/32
Box spanner 32/36
- 36 Rivolta F.L.G. MD-2 (1,000 g)
- 37 Rivolta F.L.G. MD-2 (100 g)
- 38 Scriber 250 mm (for removing seals)
- 39 Vice support
- 40 Combination spanner, open 21 × 23 mm

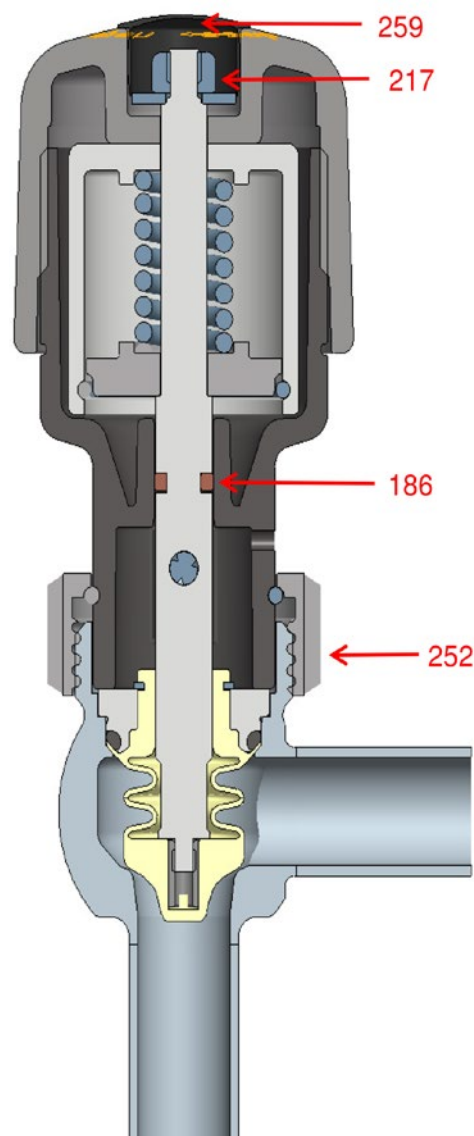
- 41 Adjustable face wrench 11/60 3 mm
- 42 Mounting fixture ECO-lantern DN 100
- 43 Hook wrench 25/28
- 44 Snap ring pliers
- 45 Sickle spanner limit-stop K
- 46 Open-end spanner 13/17
- 47 Open-end spanner 24/27
- 48 Open-end spanner 36 × 41 mm
- 49 Installation mandrel LFT
- 50 Pin punch 150 × 10 × 4 mm
- 51 Installation mandrel R-valve DN50-100
- 52 Open-end spanner (ground down) 19 × 22 (33/37)
- 53 Hook wrench 34/36 (4 mm)
- 54 Installation mandrel R-valve DN125 - 6" IPS
- 55 Installation mandrel LFT 6"

Aseptic Valves: Aseptomag®



Item	Tool	p/n GEA Aseptomag Article No.	Drawing No.	Task	LO
1	Clamping device PA50-210	5050.51064	S12-0005	PA50-210	KardexB55
2	Clamping device PA255	5050.55468	S12-0405	PA255	KardexB55
3	Combination wrench size 13 mm	0980.50119	S12-0552		KI000-00
3	Combination wrench size 17 mm	0980.50120	S12-0553		KI000-00
4	Torque wrench 20-100 Nm incl. socket SW13 +22	0980.50020	S12-0086		KardexB56
4	Torque wrench 6-50 Nm incl. square socket	0980.50333	S12-0883		KardexB56
5	Flex-head wrench Ø 60-90 mm	0980.10009	S12-0332	PA80-135	KardexB55
6	Hex. socket wrench SW13 actuator ½"	0980.00009	S12-0663		KI000-00
7	Hex. socket wrench SW17 actuator ½"	0980.00010	S12-0664		KI000-00
8	Hex. socket wrench SW22 actuator ½"	0980.00011	S12-0665		KI000-00
9	Open-end insert wrench, size 13	0980.50304	none		KI000-00
10	Open-end insert wrench, size 17	0980.50306	none		KI000-00
11	Open-end insert wrench, size 19	0980.50307	none		KI000-00
12	Ø 6.0 mm	9999.10091	none	Pressurizing tools	KI043-17
13	Pressure-reducing device Ø 6.0 mm	9999.10090	none	Pressurizing tools	KI044-10
14	Pressurizing tool IT AV NW15-81	0980.50003	S12-0010	AV UV (DK) NW15-80	KardexB56
15	Pressurizing tool IT AV NW80-100	0980.50074	S12-0455	AV UV DK NW80-100	KardexB55
16	Pressurizing tool IT AV NW125-150	0980.50073	S12-0454	AV UV DK NW125-150	KI000-00
17	Pressurizing tool IT DK EA NW26	0980.10060	S12-0393	DK EA NW25 DK	KardexB55
18	Pressurizing tool IT DK EA NW40-100	0980.10001	S12-0313	DK EA NW40-100	KardexB55
19	Pressurizing tool IT DK EA NW125-150	0980.10113	S12-0432	DK EA 125-150	KI000-00
20	Assembly tool "sleeve" LV/DT40	0980.50168	S-12-0602	LV/DT40	KARDEXB55
21	Assembly tool "sleeve" LV/DT65	0980.50167	S-12-0581	LV/DT65	KARDEXB55
22	Mounting device LV/DT NW50-65	0980.50021	S12-0179	LV/DT NW50-65	KardexB56
23	Mounting device LV/DT NW80	0980.10144	S12-0488	LV/DT NW80	KardexB56
24	Oven for heating up seat seals	0981.50016	S12-0084	TEFASEP®	KI202-01
25	O-ring cutting tool heatable	0980.50022	S12-0083	TEFASEP®	KardexB58
26	Allen key no. 3	0980.50110	S-12-0543	various	KI000-00
26	Allen key no. 4	0980.50113	S12-0546	various	KI000-00
26	Allen key no. 5	0980.50121	S12-0554	various	KI000-00
26	Allen key no. 6	0980.50122	S12-0555	various	KI000-00
27	Spring-ring pliers internal 90° 40-100 mm	0980.50108	S12-0541	PA OKF	KI000-00
28	Sleeve PA 60 OKF	5050.50988	S12-0233	PA60 OKF	KardexB56
29	Screw adapter SW10 drive SW17	0980.10153	S-12-0505	IT DKEA NW25	KardexB55
30	Screw adapter SW13 drive SW22	5050.51604	S12-0140	IT DKEA NW40-100	KardexB56
31	Screw adapter SW17 drive SW22	5050.51605	S12-0097		KardexB55
32	Spring assembly tool PA80-100	0951.50030	S-12-0173	PA60-100	WE
33	Spring-ring pliers internal 90° 19-60 mm	0980.50281	n/a	n/a	n/a
34	Flex-head wrench Ø 60-90 mm	0980.00018	n/a	n/a	n/a
35	Flex-head wrench Ø 60-90 mm	0980.00017	n/a	n/a	n/a
36	Expanding mandrel Ø 15.0 mm	0980.50077	S-12-0478	for DD-seal	n/a
37	Expanding mandrel Ø 20.3 mm	0980.50082	S-12-0515	for DD-seal	n/a
38	Assembly tool PA60 OKF	0980.50325	S-12-0857	OKF PA60	n/a
39		0981.50015	S-12-0209	PA30-210	KardexB56

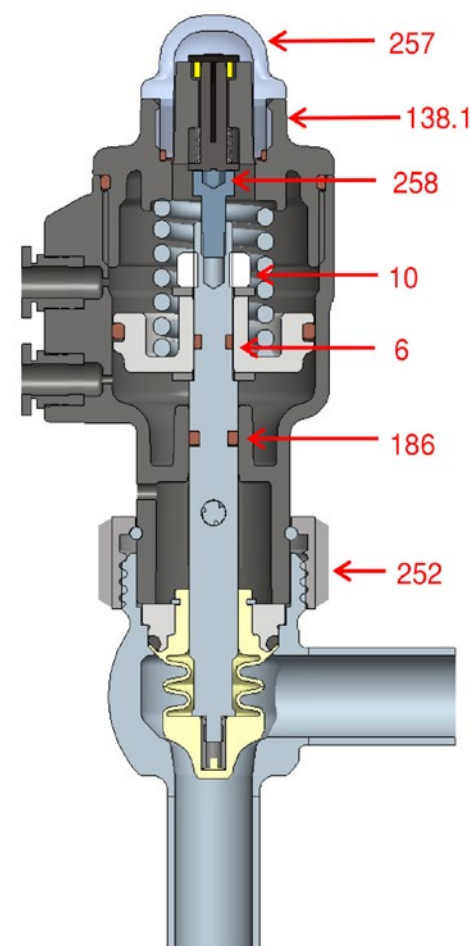
Aseptic Valves: VESTA®



VESTA® Shut-off valve up to DN32

Plastic actuator – manual

Pos.	Tool	Dimension	Article No.
186	Mandrel	DN10 DN15 ISO13.5 ISO17.2 OD 0.5"	221-003902
		DN20 ISO21.3 ISO26.9 OD 1"	221-003908
		DN25 DN32 ISO33.7	221-003909
252	Joint hook spanner	DN10 DN15 DN20 ISO13.5 ISO17.2 ISO21.3 ISO26.9 OD 0,5" OD 0.75" OD 1"	408-281
		DN25 DN32 ISO33.7	408-200
217	Socket wrench	all sizes	408-104
259	Screwdriver	all sizes	-

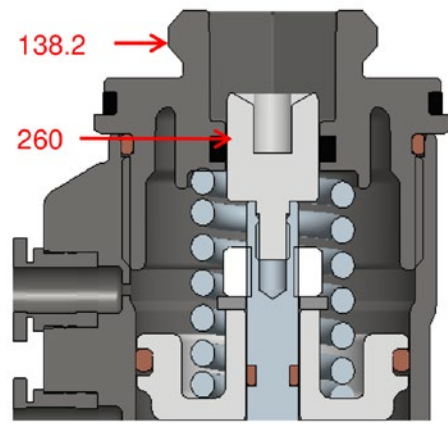


VESTA® Shut-off valve up to DN32

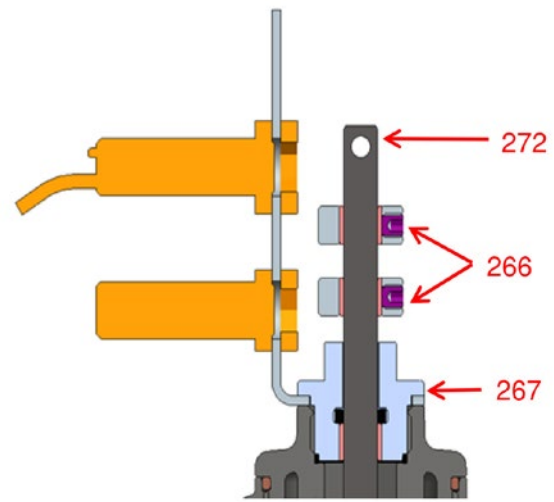
Plastic actuator

Pos.	Tool	Dimension	Article No.
6 +	Mandrel	DN10 DN15 ISO13.5 ISO17.2 OD 0.5"	221-003904
		DN20 ISO21.3 ISO26.9 OD 1"	221-003906
		DN25 DN32 ISO33.7	221-003907
186	Mandrel	DN10 DN15 DN20 ISO13.5 ISO17.2 ISO21.3 ISO26.9 OD 0.5" OD 0.75" OD 1"	408-281
		DN25 DN32 ISO33.7	408-200
252	Joint hook spanner	DN10 DN15 ISO13.5 ISO17.2 OD 0.5" OD 0.75"	408-106
10	Socket wrench	DN20 DN25 DN32 ISO21.3 ISO26.9 ISO33.7	16 mm
258	Hexagon socket	all sizes	4 mm
138.1	Hexagon socket	all sizes	17 mm
257	Installation tool	all sizes	229-000045

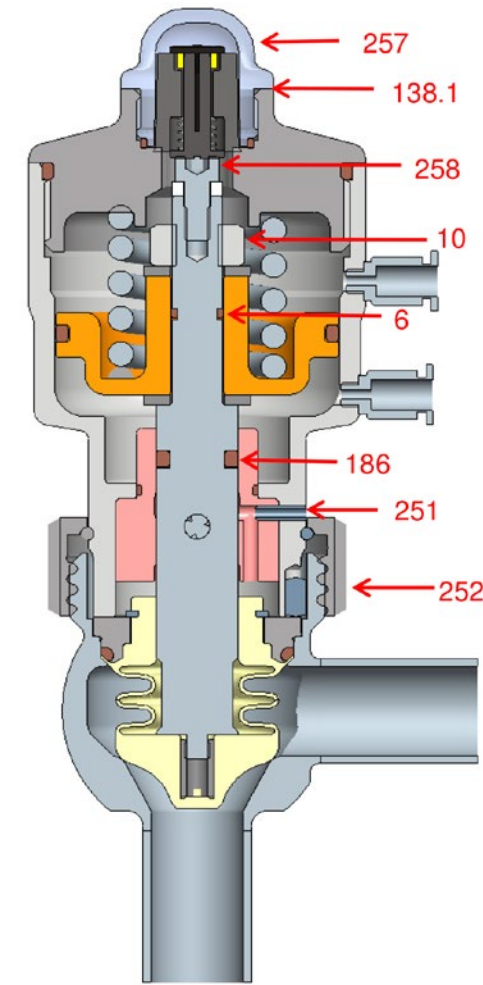
Aseptic Valves: VESTA®



Plastic and stainless-steel actuator with T-VIS



Plastic and stainless-steel actuator with proximity switch



VESTA® Shut-off valve up to DN32

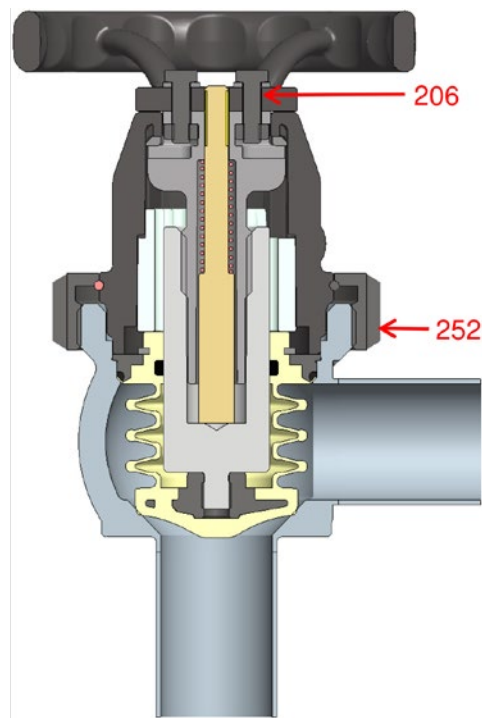
Stainless-steel actuator

Pos.	Tool	Dimension	Article No.
6		DN10 DN15 ISO13.5 ISO17.2 OD 0.5"	221-003904
+		DN20 ISO21.3 ISO26.9 OD 1"	221-003906
186	Mandrel	DN25 DN32 ISO33.7	221-003907
252	Joint hook spanner	DN10 DN15 DN20 ISO13.5 ISO17.2 ISO21.3 ISO26.9 OD 0.5" OD 0.75" OD 1"	408-281
10	Socket wrench	DN20 DN25 DN32 ISO21.3 ISO26.9 ISO33.7	16 mm
258	Hexagon socket	all sizes	4 mm
138.1	Hexagon socket	all sizes	17 mm
257	Installation tool	all sizes	229-000045
186	Drift	all sizes	-

VESTA® Shut-off valve up to DN32

Pos.	Tool	Dimension	Article No.
138.2	Hexagon socket	all sizes	19 mm
260	Screwdriver	all sizes	-
272	Hexagon socket	all sizes	4 mm
266	Screwdriver	all sizes	2,5 mm
267	Screwdriver	all sizes	17 mm

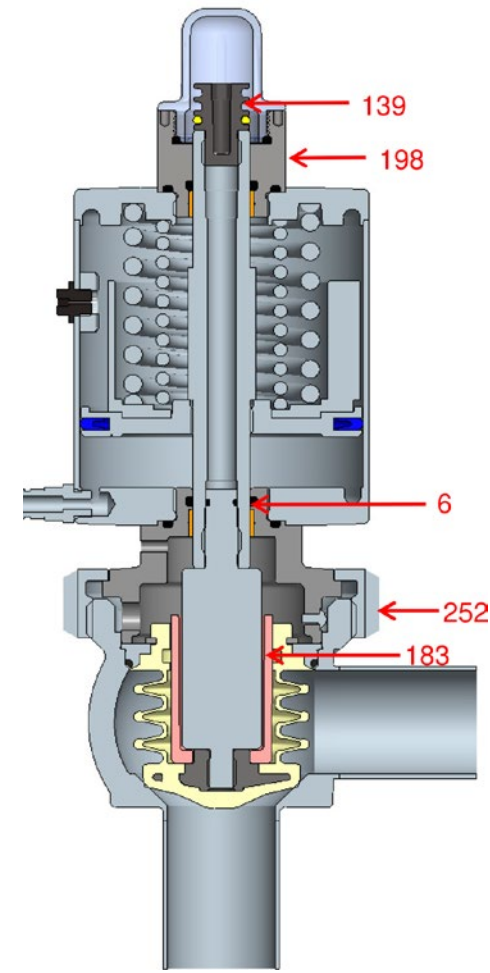
Aseptic Valves: VESTA®



VESTA® Shut-off valve off DN40

Plastic actuator – manual

Pos.	Tool	Dimension	Article No.
206	Socket wrench	DN40 DN50 ISO42.4 ISO48.3 ISO60.3 OD 1.5" OD 2"	408-104
		DN65 DN80 DN100 ISO76.1 ISO88.9 ISO114.3	408-106
		OD 2.5" OD 3" OD 4"	408-200
252	Joint hook spanner	DN40 DN50 ISO42.4 ISO48.3 ISO60.3 OD 1.5" OD 2"	408-201
		DN65 DN80 DN100 ISO76.1 ISO88.9 ISO114.3	408-201
		OD 2.5" OD 3" OD 4"	408-201



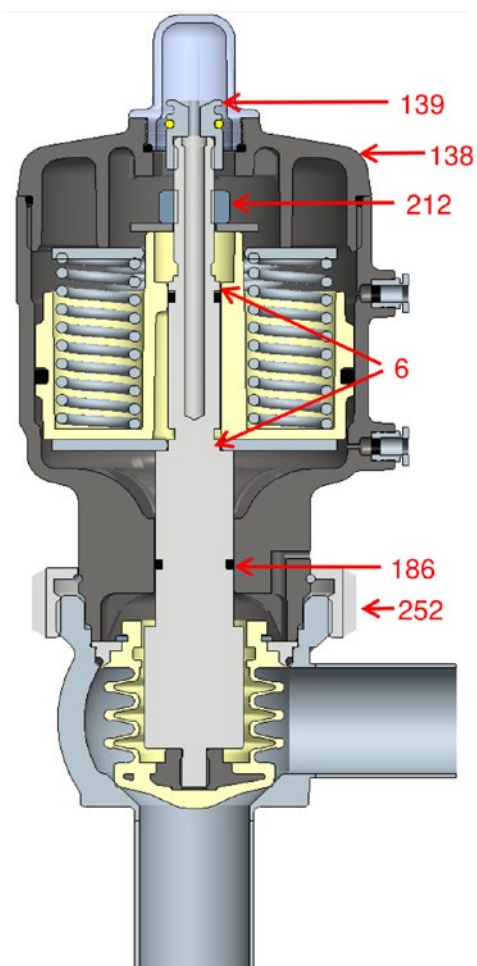
VESTA® Shut-off valve off DN40

Stainless-steel actuator

Pos.	Tool	Dimension	Article No.
6	Mandrel	all sizes	221-003940
		DN40 DN50 ISO42.4 ISO48.3 ISO60.3 OD 1.5" OD 2"	408-200
252	Joint hook spanner	DN65 DN80 DN100 ISO76.1 ISO88.9 ISO114.3	408-201
		OD 2.5" OD 3" OD 4"	408-201
		all sizes	-
198	Face spanner	all sizes	-
139	Hexagon socket	all sizes	6 mm
183	Wrench	all sizes	24 mm

For T-VIS and proximity switches, see lower sizes.

Aseptic Valves: VESTA®



VESTA® Shut-off valve DN40

Plastic actuator

Pos.	Tool	Dimension	Article No.
6 +			
186	Mandrel	all sizes	221-003942
		DN40 DN50 ISO42.4 ISO48.3 ISO60.3 OD 1.5" OD 2"	408-200
		DN65 DN80 DN100 ISO76.1 ISO88.9 ISO114.3	
252	Joint hook spanner	OD 2.5" OD 3" OD 4"	408-201
138	Installation tool	all sizes	229-00033
139	Screwdriver	all sizes	-
212	Wrench	all sizes	24 mm

For T-VIS and proximity switches, see lower sizes.

Aseptic Valves: D-tec®

Tool	Type:				Article No.
	N/DV	W/DV	P/DV	D/DV	
Torque wrench	•	•	•		-
Belt wrench	•	•	•	•	408-142
Hook wrench				•	9082051
Oven (not microwave, min. temp. 140°C)	•	•	•	•	0981.50016
Open-end spanner, a/f 17-19	•	•	•		408-037
Open-end spanner, a/f 22-24	•	•	•		408-039
Manual emergency actuator	•	•	•		221.310.74
Hex key, a/f 2.5				•	408-130
Hex key, a/f 4				•	408-122
Hex socket screw, size 3				•	408-112
Open-ended wrench, a/f 10				•	408-033
Open-ended wrench, a/f 13				•	408-036
Open-ended wrench, a/f 17				•	408-036
Open-ended wrench, a/f 19				•	408-038
Open-ended wrench, a/f 21				•	408-038
Open-ended wrench, a/f 27				•	408-040
Open-ended wrench, a/f 30				•	408-041
Open-ended wrench, a/f 34				•	-
Assembly pin (FFT)				•	221-105.94
Assembly device D/DV DN50				•	229-109.97
Assembly device D/DV DN80				•	229-109.98
Assembly device D/DV DN100				•	229-109.99
Assembling device ECO-lantern				•	229-000071
Mounting base face spanner				•	9065837
Pneumatic emergency switch bar (DN 25 to 100)	•	•	•		221-105.67
O-ring cutter, heatable	•	•	•	•	0980.50022
Scriber	•	•	•	•	408-001
Eye bolt T.VIS M14				•	221-104.98
Adjustable open-ended wrench SW 46				•	-
Box spanner SW 46				•	-
Hose cutter	•	•	•	•	407-065
Vice with protective jaws	•	•	•	•	-
Protective gloves, heat-resistant	•	•	•	•	
Allen key, size 10	•	•	•		408-126
Circlip pliers, angled at 90° for circlip	•	•	•	•	-
Reducing nipple				•	933-992
Elbow screw-in plug connector				•	933-475
V-ring insertion tool	•	•	•		229-109.88
Rivolta F.L.G. MD-2	•	•	•	•	413-071
PARALIQ GTE 703	•	•	•		413-064

Hygienic Pumps



- 1** Mounting sleeve
A shaft Ø 19 mm
B shaft Ø 28 mm
C shaft Ø 38 mm
D shaft Ø 19 mm – DURIETTA 0
E shaft Ø 22 mm
F shaft Ø 30 mm
G shaft Ø 40 mm
H shaft Ø 50 mm
- 2** Spray bottle 200 ml
- 3** Pipe-mech. seal mounting tool
A d19/d22
B d28/d30
C d38/d40
D d50
- 4** Mounting sleeve plastic adapter
A MS-Ø 19 mm
B MS-Ø 22 mm
C MS-Ø 28 mm
D MS-Ø 30 mm
E MS-Ø 38 mm
F MS-Ø 40 mm
G MS-Ø 50 mm
- 5** **A** Picktool with double bend
B Picktool with 90-degree angle
- 6** **A** Lubricant Klueber UH1 96-402 white – 80 g
B Silicone grease Paraliq GTE 703 – 80 g
- 7** **A** Socket wrench, width across flats 14
 Insert for socket wrench, width across flats 10
B 1/2" cpl. – SW17
C 1/2" cpl. – SW27
D 1/2" cpl. – SW30
- 8** Socket wrench 1/2"
A Hex screwdriver SW6
B Hex screwdriver SW8
C Hex screwdriver SW10
- 9** **A** TPS lock nut R D50 1.4305
B TPS lock nut R D38/M16 1.4305
- 10** Tool centering wrench for impeller assembly
- 11** **A** Support plate
 Impeller nut CONTRA I
- B** Mounting device
 Impeller nut CONTRA I
- C** Support plate
 Impeller nut CONTRA II
- D** Mounting device
 Impeller nut CONTRA II
- 12** Sleeve mounting tool
A HYGIA I K + F&B
B HYGIA II K + F&B
- 13** TP spacer disk shim kit
- 14** **A–C** Set retainer tool & locking stick NOVALOBE 10 – 60
- 15** Disassembly tool mechanical seal NOVALOBE 10 – 60
- 16** Metric dial indicator

Included in the Hygienic Pumps Service Tool Kit

Not included in the Hygienic Pumps Service Tool Kit



Cleaning Technology

Tool	Type	Size	Article No.	Orbital Cleaner		Rotating Cleaner						Retracting Cleaner	Accessories															
				Cyclone	Twister	Typhoon	Typhoon Low Profile (LP)	Tempest	Tornado	OC 2000	Jumbo 6	Chemidisc, Chemitorus, Clipdisc, Sanidisc, Sanitor, Torus, Turbo SSB	Jet Cleaner 2E-2B (maintenance-free)	Troll Ball (maintenance-free)	Turbodisc 25 (maintenance-free)	Turbodisc 75 (maintenance-free)	Turbodisc 100 (maintenance-free)	Turbodisc 150 (maintenance-free)	IS25	Cleaning Lance (maintenance-free)	Mobile Trestle (maintenance-free)	Monitoring System (maintenance-free)	Pipe union TS (maintenance-free)	Protection Cage Tornado* Tempest (maintenance-free)	Turbo CW (maintenance-free)	Weld on nipples (maintenance-free)	Hose Reel (maintenance-free)	
Scriber pin D 1/8"			414-001	•	•	•	•	•	•																			
Pin punch			4660-0652-000	•	•	•	•	•	•																			
Mounting tool / bushes CyTw			4660-9063-010	•	•																							
Mounting tool / bevel gear wheel Tw			4660-4830-010	•	•																							
Mounting tool / nozzle carrier Cy			4660-4820-050	•																								
Assembly tool / flathead screwdriver Bit			4660-9012-020	•		•																						
Mounting tool / bushes TyTeTo			4660-9062-010			•		•	•																			
Mounting tool / bevel gear wheel TyTe			4660-4820-010			•		•	•																			
Mounting tool / nozzle carrier TyTe			4660-4820-020					•	•																			
Mounting tool / nozzle carrier Tw			4660-4820-040		•																							
Flat Screwdriver bit 8 mm			4660-9022-020				•																					
Assembly tool / nozzle carrier TyLP		e.g. 0,4 × 2,5																										
Open-end spanner 24 × 27 mm		e.g. 1,2 × 8	4660-4820-030			•																						
Torque wrench 24 × 27 mm		AF 27	229-119.04																									
Torque wrench 10–60 Nm			4660-9000-100																									
Open jaw plug-in head SW 19			408-476																									
Socket for wrench 1 1/2"			408-487																									
Socket for wrench 2 1/4"			408-488																									
Torque wrench 40–200 Nm			408-489																									
Screwdriver Klinge 9/64"			408-490																									
Torque wrench 1–5 Nm			408-449																									
Jaw wrench holding fixture for torque wrench pos. 4	Nozzles (4,5,7,8) Cap nut (40)	AF 24 AF 21	408-172																									
Torque wrench 1–5 Nm			4660-9000-000																									
Hexagonal attachment for torque wrench pos. 7	Set screw (27) Cylinder head screw (30)	3 2,5	4660-9062-020 4660-9042-020																									
	Bearing D 8 (31)	Ø 8	4660-9063-012																									
	Bearing D 14 (32)	Ø 14	4660-9063-013																									
	Bearing D 18 (38)	Ø 18	4660-9063-014																									
Mounting tool	Bearing D 20 (35)	Ø 20	4660-9063-015																									
Suitable grease e.g. Rivolta F.L.G. MD-2	Thread (optional) Fits	100 g	413-136																									
Plug-in head			408-491																									

*No special tools required.

YES, WE SCAN



GEA Digital Product Passport



Simple and Digital: All the Information on Valves and Pumps

Yes, We Scan:
the GEA Digital Product Passport

One Scan, All the Information: How the GEA Digital Product Passport Simplifies Your Day-to-Day Production Workflow

Discover the new GEA Digital Product Passport! All it takes is a simple scan: GEA Valves & Pumps will now be supplied with a QR code near the nameplate. This code puts everything you need to know about our valves and pumps at your fingertips. Without needing any app or additional program, you will be taken straight to the GEA portal, where you can view specifications and operating manuals quickly, simply, and digitally. Ease the strain on your filing system and optimize your workflow!

Explore our digital nameplate here:

Boost Efficiency and Sustainability in the Operation of Your Valves & Pumps: Benefits of the GEA Digital Product Passport

Simpler and Faster Access to the Specifications of GEA Hygienic Valves & Pumps

Say goodbye to the hassle of storing and searching for operating manuals! A single scan now gives you immediate access to all product information for our valves and pumps.

Efficient System Management

The GEA Digital Product Passport makes your life easier by simplifying the management and maintenance of GEA Flow Components. Product information can be quickly identified and reviewed to optimize maintenance work. Maintenance technicians around the world can access the installed components remotely via the portal and can plan upcoming services. As such, the process of ordering suitable spare parts is also streamlined.

GEA Tuchenhagen GmbH

Am Industriepark 2-10
21514 Büchen, Germany
Tel. +49 4155 49-0

**GEA Hilge Niederlassung der
GEA Tuchenhagen GmbH**

Hilgestraße 37-47
55294 Bodenheim, Germany
Tel. +49 6135 7016-0

GEA Aseptomag AG

Industrie Neuhof 28
3422 Kirchberg, Switzerland
Tel. 41 34 4262929

gea.com/germany