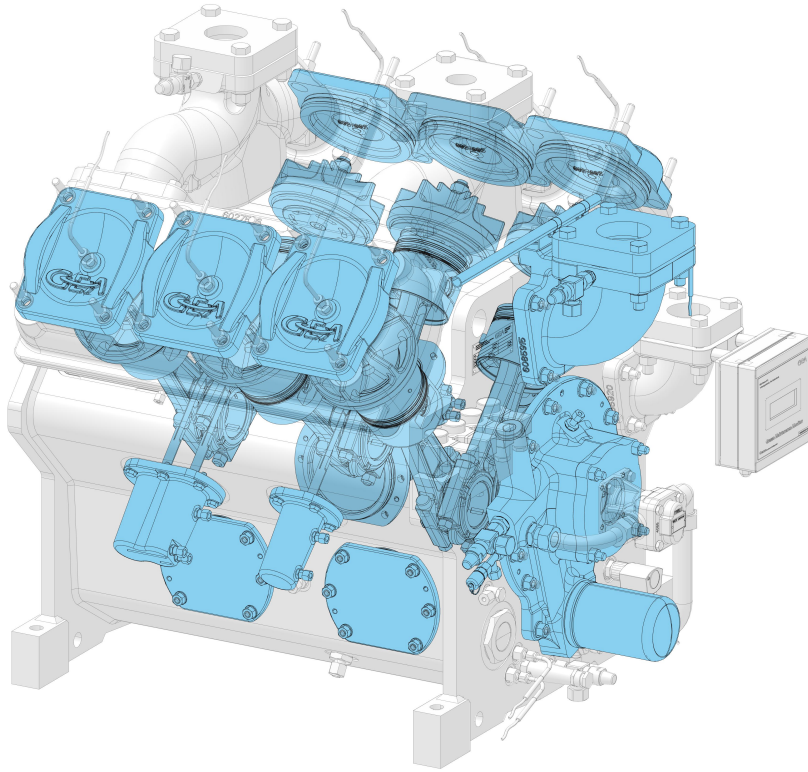


SPARE PARTS CATALOGUE

Instruction for KIT-B V 450(T) - 3781018



Maintenance B

Grasso V 450(T)

Company: GEA Refrigeration Netherlands N.V.

Document Number: 0087906

Version: 010 / Language: EN-GB / Publication date: 24.11.2025

Table of Contents

1	General	4
1.1	Release notes	4
1.2	About this document.....	4
1.3	Manufacturer address.....	4
1.4	Customer service.....	4
1.5	Order information.....	4
1.6	Mounting information.....	5
2	Packing list	6
3	Replacement parts service kit B	9

1 General

1.1 Release notes

#	Reference / Hyperlink contents of revision	Description
	Service Kits Instruction for KIT-B V 450(T) - 3781018	GEA Refrigeration Netherlands N.V. Version 010 Release date 24.11.2025
	Previous versions	005, released December-2023 006, released February - 2024 007, released April - 2024 008, released April - 2025 009, released July - 2025
1	Small fixes version 010	Updated QR codes, part numbers and descriptions

1.2 About this document

This document is applicable to the compressors in the table below.

	First generation		Second generation	
	Single stage	Two stage	Single stage	Two stage
Normal	V 450	V 450T	V 450-2	V 450T-2
High Speed	V 450 HS	V 450T HS	V 450-2 HS	V 450T-2 HS
High Pressure	V 450 HP		V 450-2 HP	

1.3 Manufacturer address

GEA Netherlands N.V.
Parallelweg 25
Netherlands
5223 AL 's-Hertogenbosch

1.4 Customer service

Phone	+31 73 6 203 911
Email	pistonspareparts@gea.com
Website	www.GEA.com

1.5 Order information

Our web shop <https://blushop.gea.com/> is recommended to identify and/or to order the right spare parts.

1.6 Mounting information

ATTENTION

How to assemble the parts is described in the Maintenance Instruction manual (MI). Refer to 2 *Packing list* for the QR-codes for the available documentation.

- To replace parts, follow the instructions in the Maintenance Instruction manual (MI).

2 Packing list

0087906 Packing List and Document References for Service Kit B,
3781018, V 450(T)

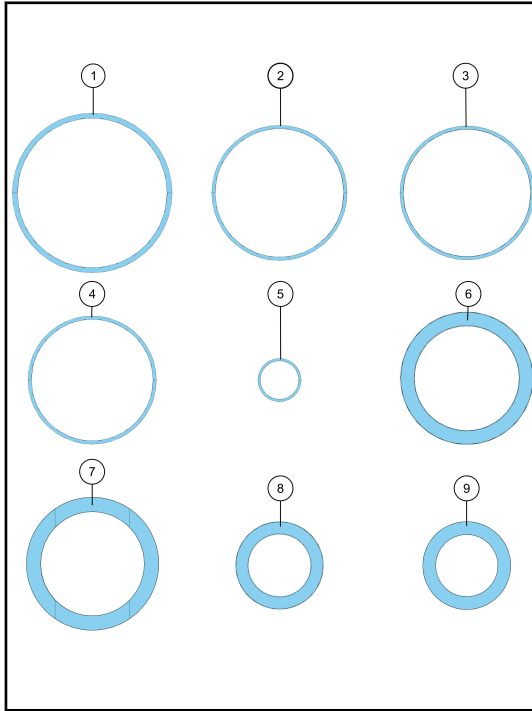
QR Document References 2nd Generation

SPC-KitB-V450(HP) 310294	II-VM-2 342801	MI-VM-2 348075	SPC-Parts VM-2(HS) 343874
	II-VMHS-2 342802	MI-VMHS-2 348076	
	II-VMHP-2 342803	MI-VMHP-2 348077	SPC-Parts-VHP 242925

QR Document References 1st Generation

SPC-KitB-V450(HP) 310294	II-V 166213	MI-V 166185	SPC-Parts-VM 166190
GEA			
	II-VHP 247632	MI-VHP 248394	SPC-Parts-VHP 242925

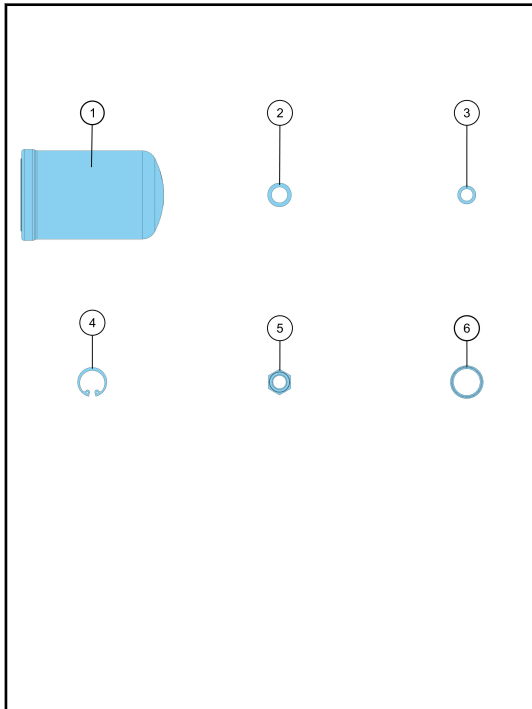
Contents 3781018 - Service Kit B, V 450(T) (1/2)



Position Description

Position	Description
1	6x 0952742 O-RING 160.00 B
2	6x 0952789 O-RING 137.44 B
3	4x 0952363 O-RING 136.12 A
4	2x 0952353 O-RING 130.00 A
5	6x 0952289 O-RING 40.95 A
6	6x 1134112 SUCTION VALVE RING
7	6x 1133210 SINUSOIDAL SPRING 111x42.35x0.7x5
8	6x 1134067 DISCHARGE VALVE RING
9	6x 1133068 SINUSOIDAL SPRING 66x94.15x0.7x5

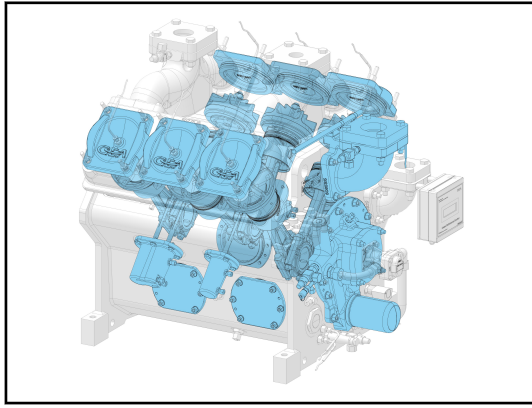
Contents 3781018 - Service Kit B, V 450(T) (2/2)



Position Description

Position	Description
1	1x 0711027 OIL FILTER GRASSO V
2	6x 1139800 NL LOCK WASHER SET 16
3	12x 1139600 LOCKING RING M12
4	12x 1104030 INTERNAL CIRCLIP 30x1.2
5	6x 0145800 LOCKING NUT M16
6	6x 0952328 QUAD RING 35

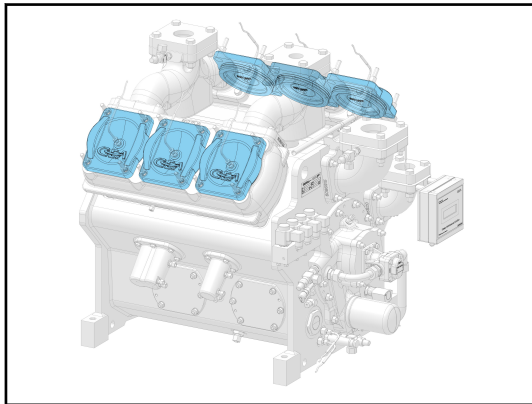
Overview 3781018 - Service Kit B, V 450(T)



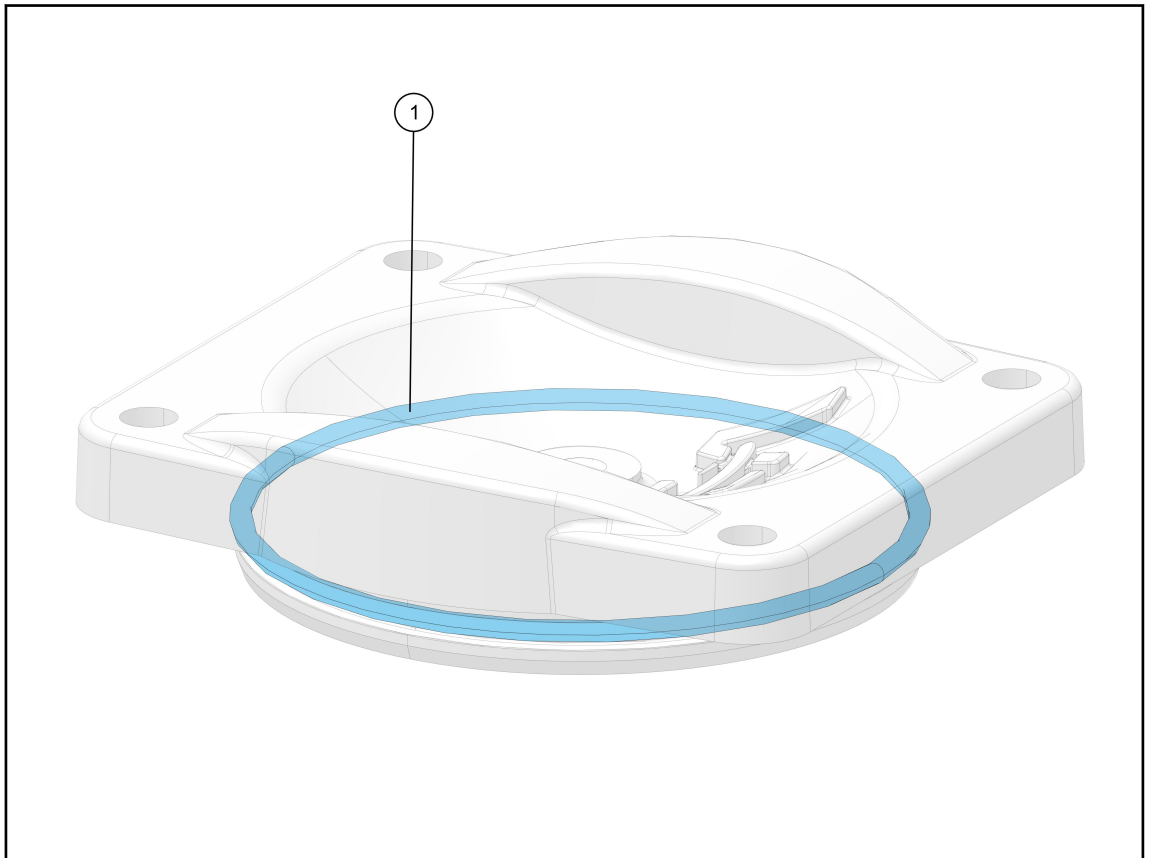
3 Replacement parts service kit B

Cylinder head cover

Location of the cylinder head covers



Spare parts cylinder cover



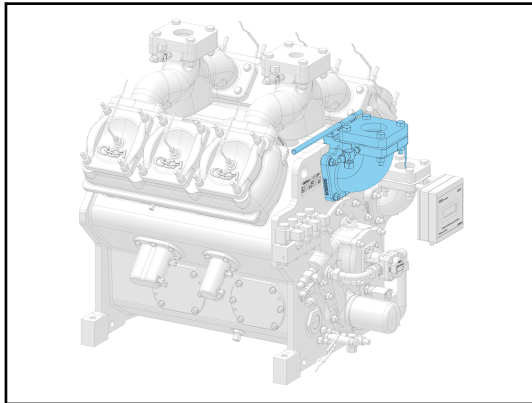
Position Description

Position Description

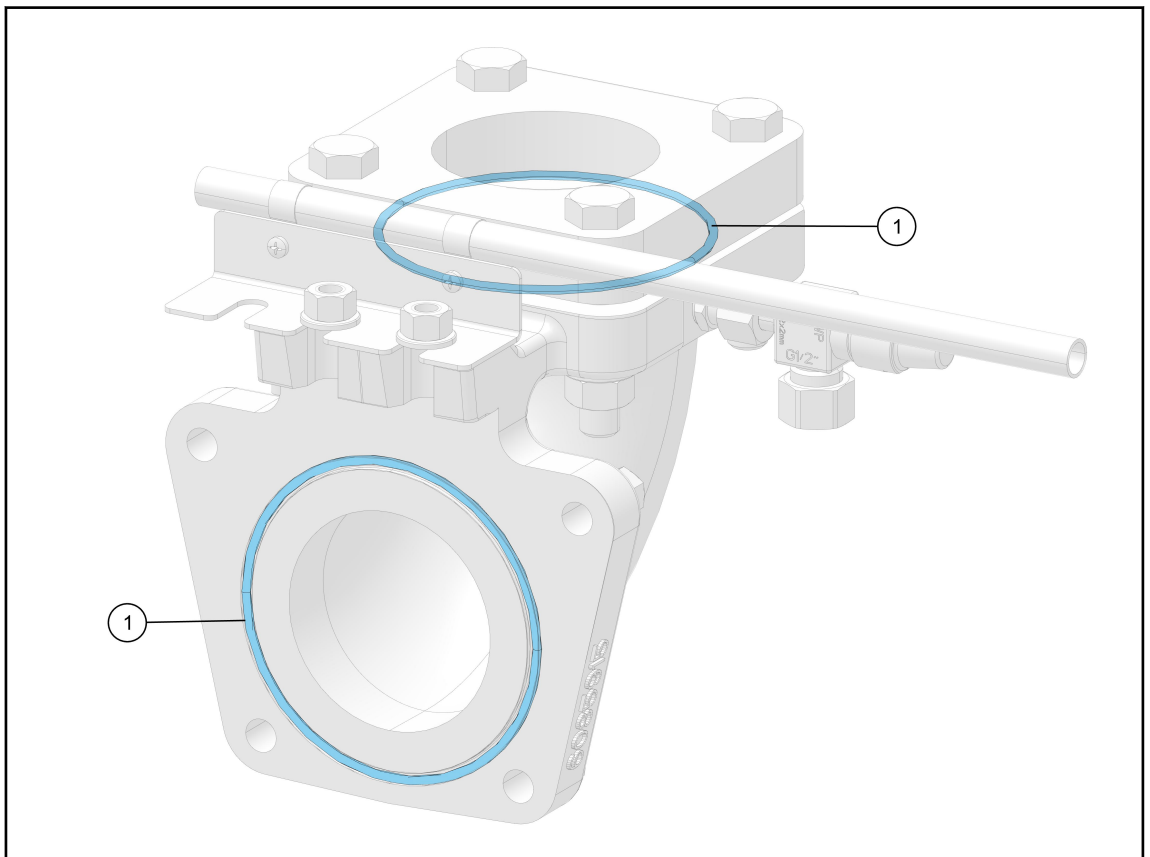
1 1x 0952742 O-RING 160.00 B

Suction elbow

Location of the suction elbow



Spare parts suction elbow



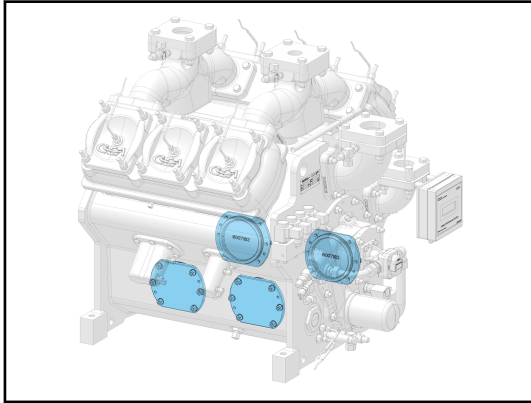
Position Description

Position Description

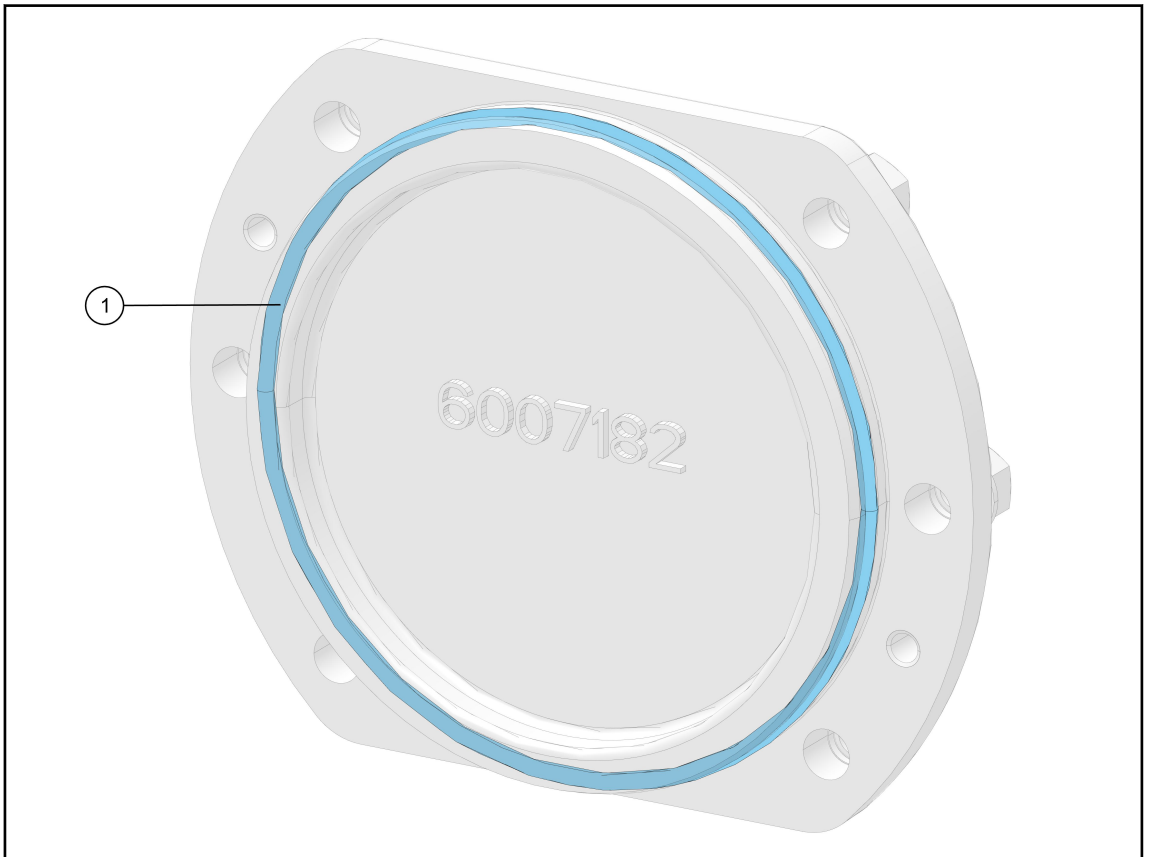
1 2x 0952353 O-RING 130.00 A

Service cover

Location of the service cover



Spare parts service cover



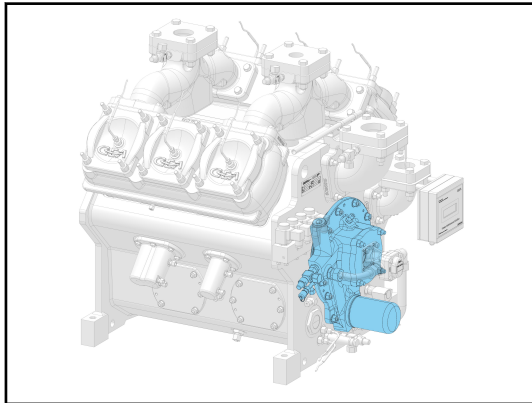
Position Description

Position Description

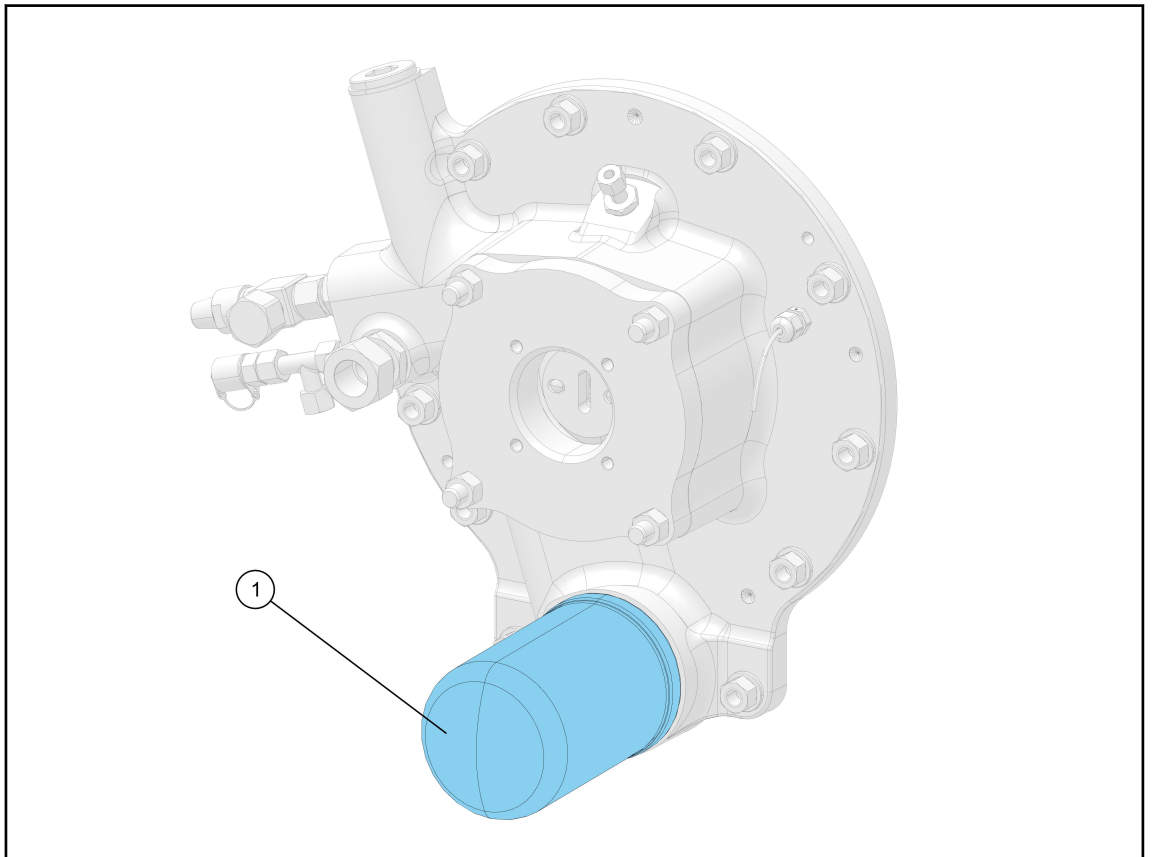
1 1x 0952363 O-RING 136.12 A

Oil discharge filter

Location of the oil discharge filter



Spare parts oil discharge filter



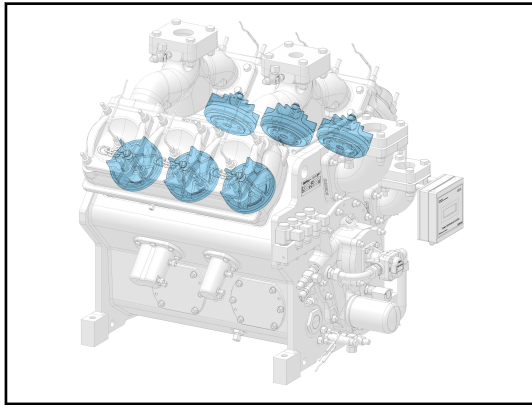
Position Description

Position Description

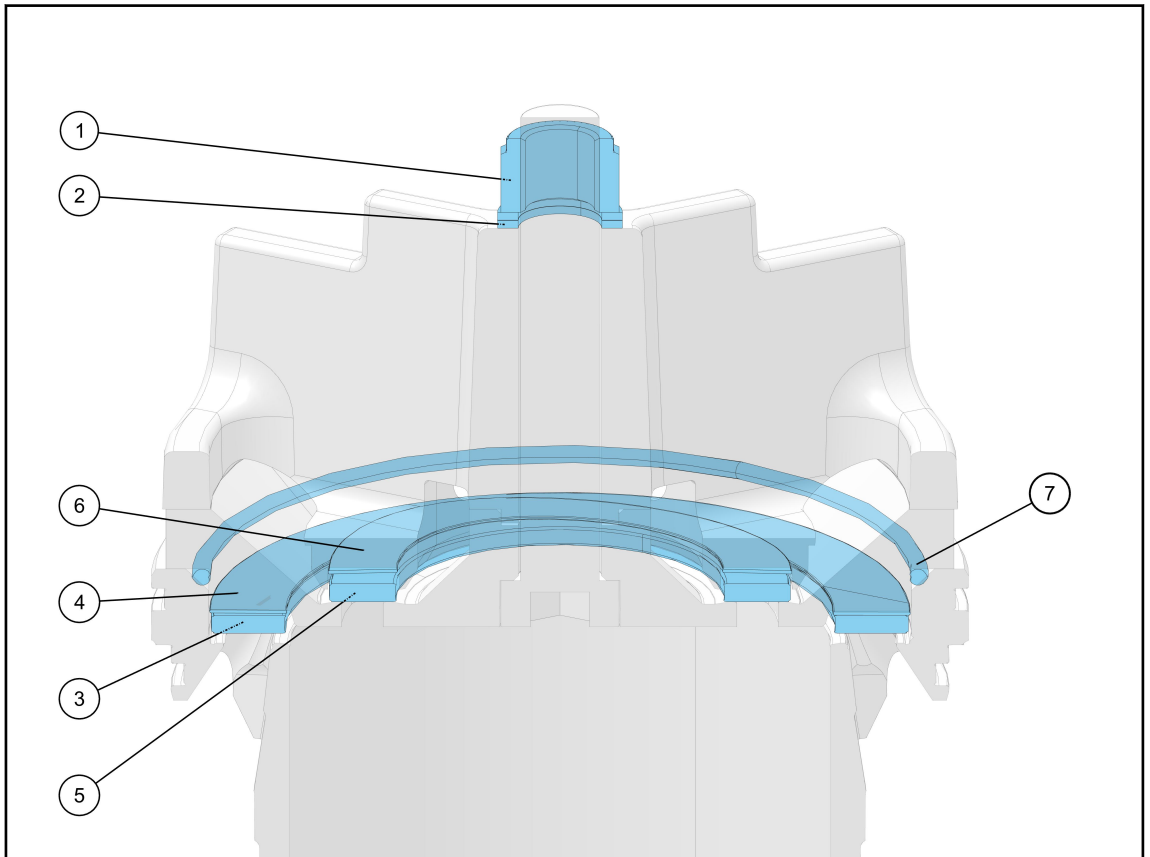
1 1x 0711027 OIL FILTER GRASSO V

Discharge valves

Location of discharge valves



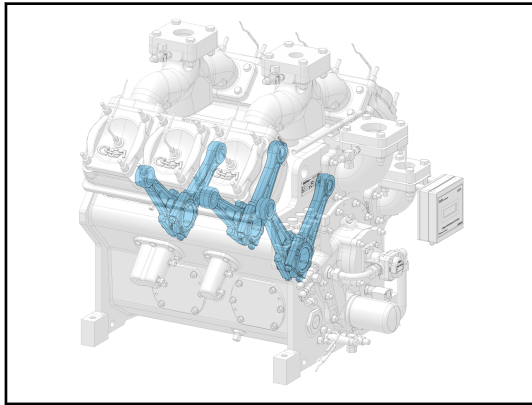
Spare parts discharge valve



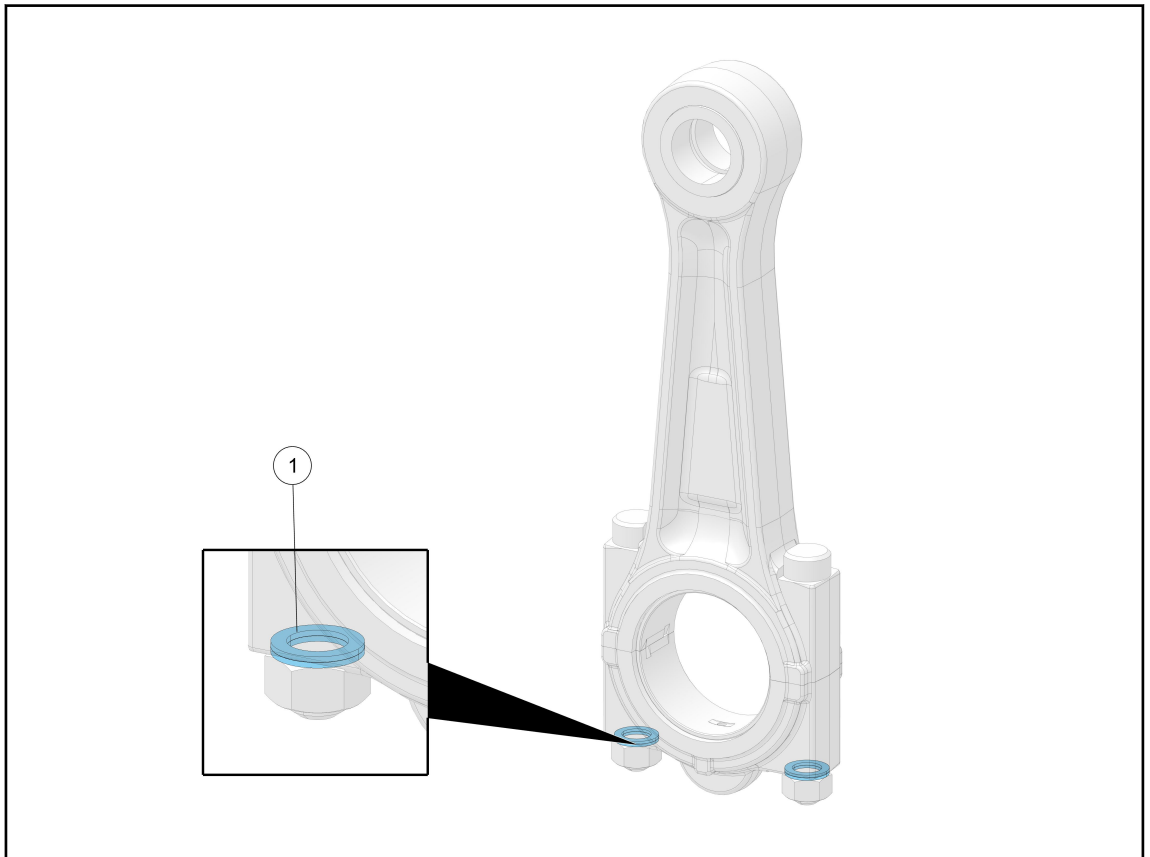
Position	Description	Position	Description
1	1x 0145800 LOCKING NUT M16	2	1x 1139800 NL LOCK WASHER SET 16
3	1x 1134112 SUCTION VALVE RING	4	1x 1133210 SINUSOIDAL SPRING 111x42.35x0.7x5
5	1x 1134067 DISCHARGE VALVE RING	6	1x 1133068 SINUSOIDAL SPRING 66x94.15x0.7x5
7	1x 0952789 O-RING 137.44 B		

Conrod

Location of the conrods



Spare parts conrods



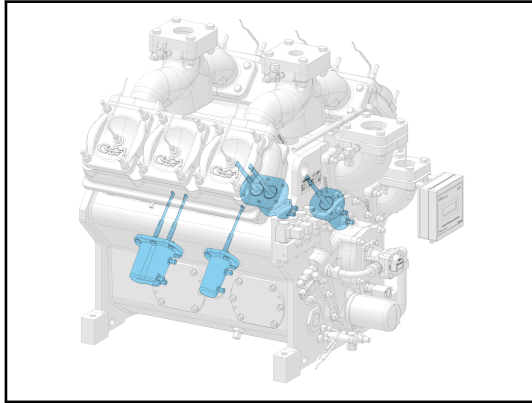
Position Description

Position Description

1 2x 1139600 LOCKING RING M12

Valve lifting mechanism

Location of the valve lifting mechanism



Spare parts valve lifting mechanism

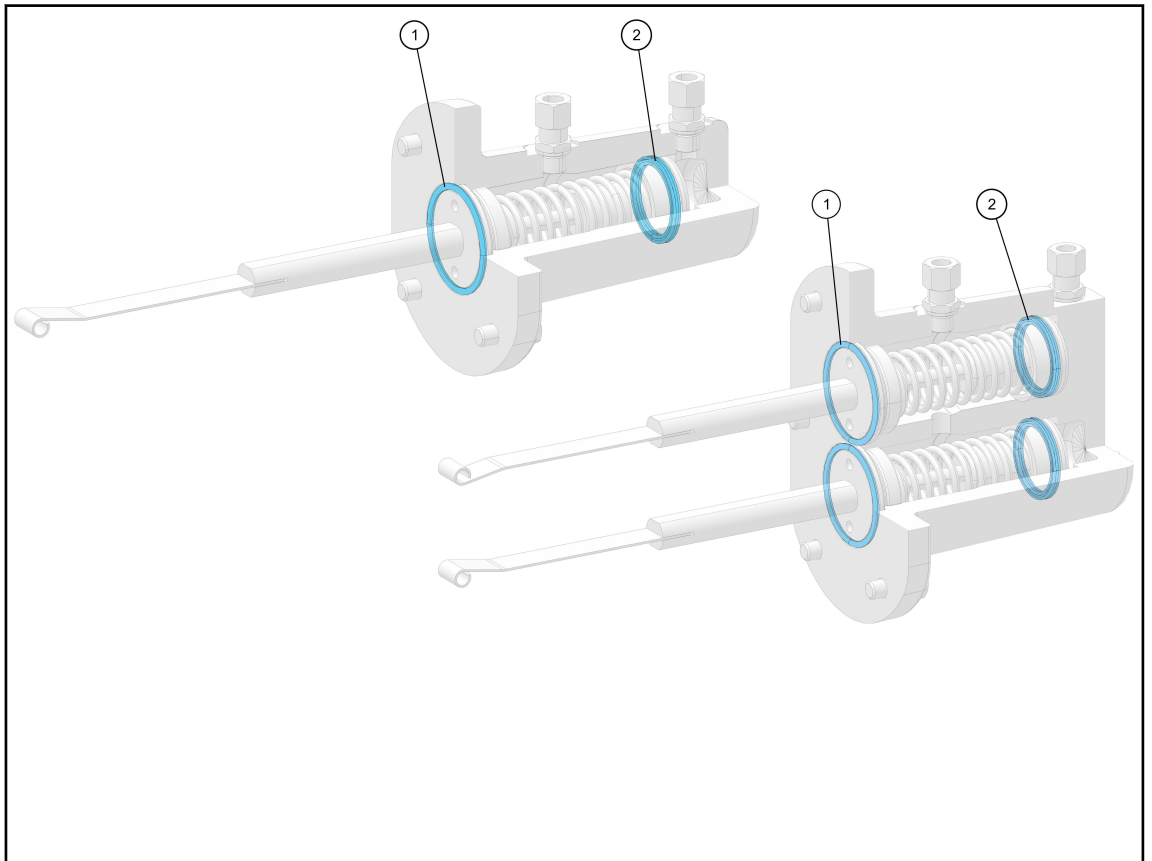
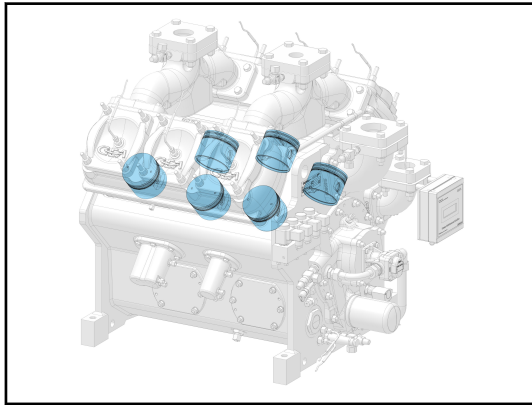


Figure 3-1 - VALVE LIFTING

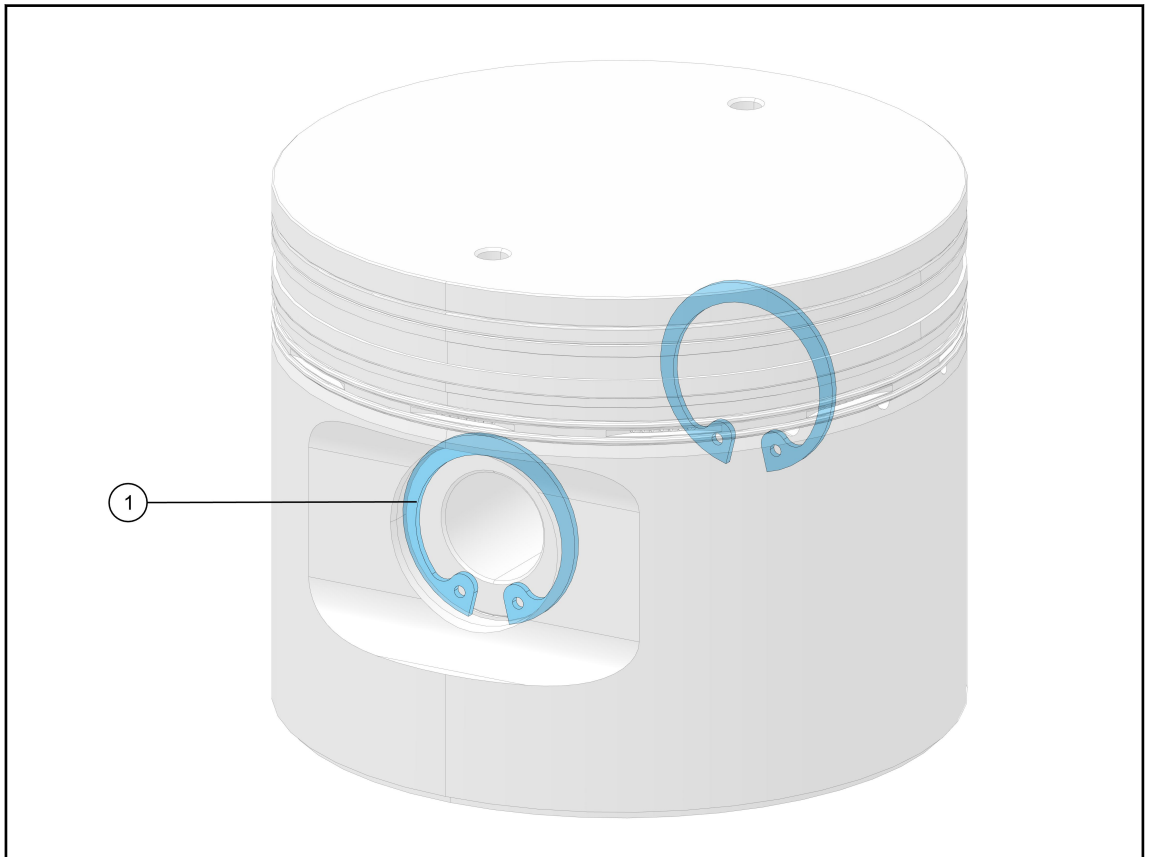
Position	Description	Position	Description
1	3x 0952289 O-RING 40.95 A	2	3x 0952328 QUAD RING 35

Pistons

Location of the pistons



Spare parts pistons



Position Description

Position Description

1 2x 1104030 INTERNAL CIRCLIP 30x1.2

GEA Netherlands N.V.
Parallelweg 25
5223 AL 's-Hertogenbosch , Netherlands

Phone +31 73 6 203 911

SPC-Kits Copyright © GEA Netherlands - All rights reserved - Subject to modifications.