

Subject to modifications.

# GEA Bagtip w. Dust Coll. & Sieve

## Technical data

The GEA Bag Tip enables small bags of powder <50 kg to be efficiently and ergonomically introduced into the process.

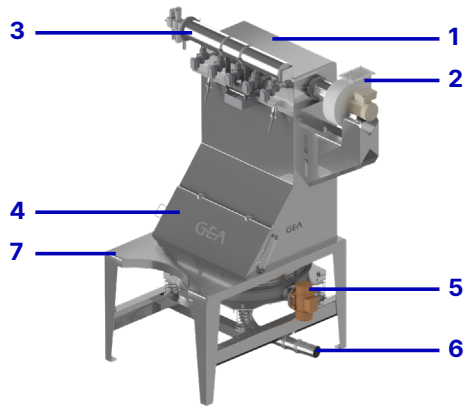
### Features

- Proven developed design
- Material of construction configurable to suit industry requirements
- GMP & ergonomical design
- Sanitary design (configurable)
- Low maintenance
- Easy access for cleaning
- Built in dust collection for dust free operation

### Options

- ATEX / IECEx / UKEX / CSA
- Built in sieving to remove foreign contamination

# Operating principles and constructional features

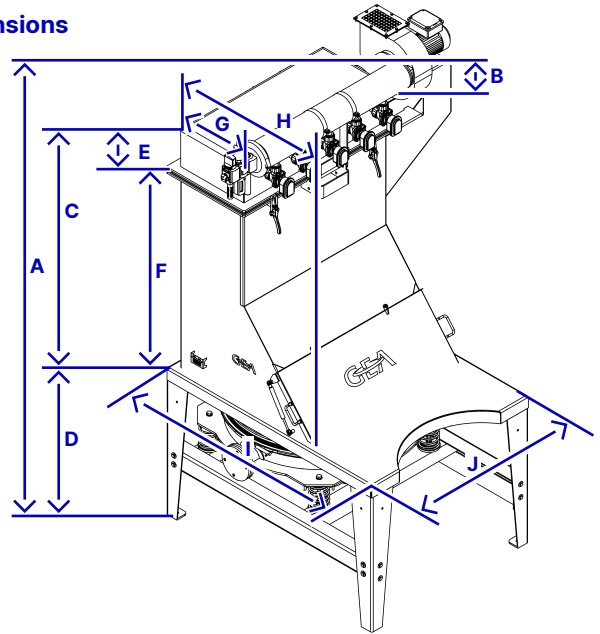


- 1 Filter housing
- 2 Fan
- 3 Filter cleaning compressed air
- 4 Hatch
- 5 Sifter
- 6 Discharge
- 7 Bag support table

## Process data

Bag Size	700 to 800 mm (27 to 31 in) length
Rate	Typical 4 TPH
Dust collection	With filter reverse pulsing and fan
Sieve screen size	Min 5 mm mesh
Bag support table	
Lid with gas struts	
Comp air press	6 - 7 barg
kW	0.2
Voltage	380 to 440 VAC
Weight	Base on configuration
Material of construction	EN.1.4301 / AISI 304

## Dimensions



<b>A</b>	<b>B</b>	<b>C</b>	<b>D</b>
2,544 mm (100")	170 mm (6")	1,474 mm (58")	900 mm (35")
<b>E</b>	<b>F</b>	<b>G</b>	<b>H</b>
258 mm (10")	1,217 mm (47")	447 mm (17")	953 mm (37")
<b>I</b>	<b>J</b>		
1,456 mm (57")	1,110 mm (43")		

## Standard scope of delivery

- Bag tip with support legs
- Filters elements
- Compressed air reservoir
- Reverse pulse solenoids
- Extraction fan
- Sieve with flexible and vibrating motor

## Optional additional equipment

- Material EN 1.4404 / AISI 316L
- Air tight lid seal
- ViwateQ® surface treatment