

### 3 VARIVENT® Type L\_SC 221ELI002250

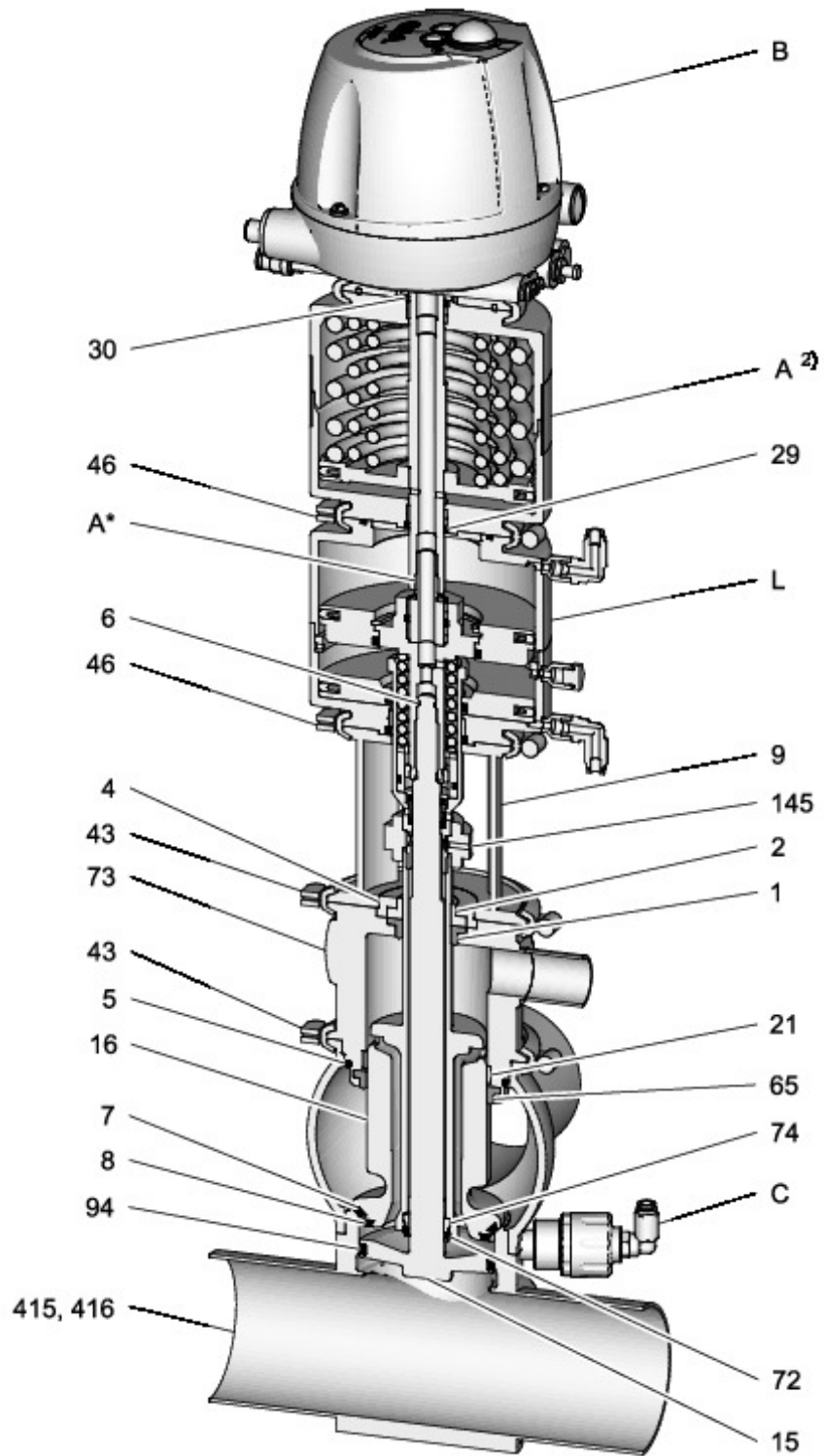
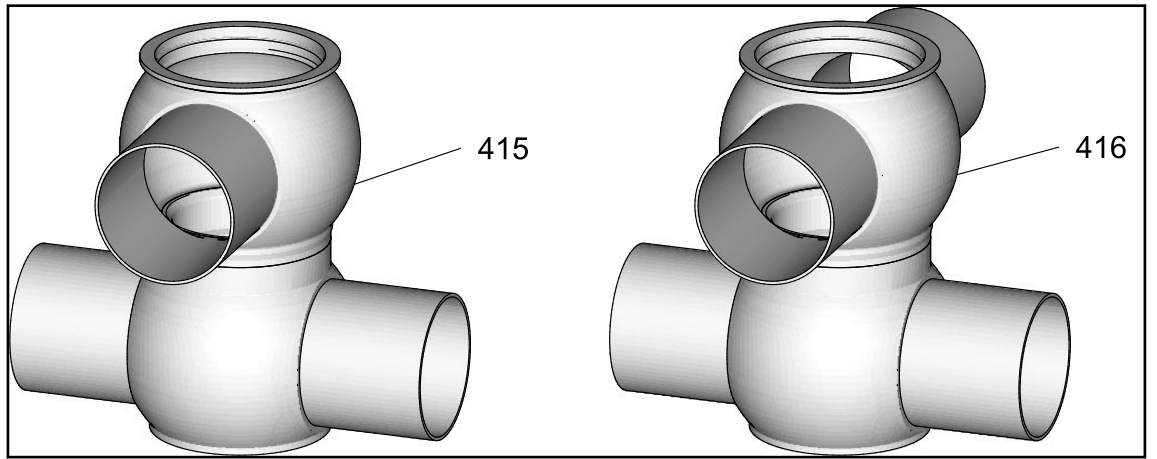


Figure 3-1 - Spare parts - mixproof valve L\_SC with lifting actuator



Spare parts list - mixproof valve type L\_SC [DN]

Item	Designation	Material	DN 40	DN 50	DN 65	DN 80	DN 100
Seal set complete		EPDM	221-001176	221-001176	221-001178	221-001178	221-001180
		FKM	221-001177	221-001177	221-001179	221-001179	221-001181
		HNBR	--	--	221-003449	221-003449	--
** Do not grease items 7, 8 and 94.							
1	Seal ring	EPDM	924-085	924-085	924-085	924-085	924-085
		FKM	924-083	924-083	924-083	924-083	924-083
		HNBR	924-313	924-313	924-313	924-313	924-313
2	Bearing	PTFE/carbon	935-002	935-002	935-002	935-002	935-002
	Bearing, 3A	SUSTA-PVDF	935-099	935-099	935-099	935-099	935-099
4	Bearing disk	1.4301	221-142.03	221-142.03	221-142.03	221-142.03	221-142.03
5	O-ring	EPDM	930-144	930-144	930-150	930-150	930-156
		FKM	930-171	930-171	930-176	930-176	930-178
		HNBR	930-633	930-633	930-634	930-634	930-863
6	O-ring	NBR	930-004	930-004	930-004	930-004	930-004
**7	V-ring	EPDM	932-021	932-021	932-024	932-024	932-028
		FKM	932-033	932-033	932-035	932-035	932-039
		HNBR	932-088	932-088	932-090	932-090	932-100
**8	V-ring	EPDM	932-019	932-019	932-023	932-023	932-027
		FKM	932-032	932-032	932-034	932-034	932-038
		HNBR	932-084	932-084	932-089	932-089	932-099

Item	Designation	Material	DN 40	DN 50	DN 65	DN 80	DN 100
9	Lantern	1.4301	221-236.16	221-236.16	221-236.02	221-236.02	221-236.03
15	Valve disk T_R	1.4404	221-000673	221-000666	221-000650	221-000680	221-000644
16	Double-disk T_R	1.4404	221-000676	221-000669	221-000663	221-000679	221-000647
21	Guide ring	Turcite	935-056	935-056	935-042	935-042	935-114
21	Guide ring 3A	MF6	935-117	935-117	935-113	935-113	935-043
43	Clamp connection KL	1.4401	221-507.04	221-507.04	221-507.09	221-507.09	221-507.11
46	Clamp connection KL	1.4401	221-507.06	221-507.06	221-507.06	221-507.06	221-507.06
65	Seal ring	EPDM	924-305	924-305	924-296	924-296	924-254
		FKM	924-307	924-307	924-308	924-308	924-309
		HNBR	924-333	924-333	924-331	924-331	924-332
72	O-ring	EPDM	930-610	930-610	930-611	930-611	930-611
		FKM	930-662	930-662	930-663	930-663	930-663
		HNBR	930-646	930-646	930-647	930-647	930-647
73	Leakage housing T_R	1.4404	221-000665	221-000665	221-000641	221-000641	221-000643
74	Snap seal	PVDF	221-000522	221-000522	221-000523	221-000523	221-000523
**94	V-ring RA	EPDM	221-365.07	221-365.07	221-365.08	221-365.08	221-365.09
		FKM	221-365.10	221-365.10	221-365.11	221-365.11	221-365.12
		HNBR	221-365.18	221-365.18	221-365.20	221-365.20	221-365.19
145	Leak indicator	1.4301	221-237.43	221-237.43	221-237.43	221-237.43	221-237.43
415	Housing LCS-90	1.4404	221-633.04	221-633.06	221-633.08	221-633.10	221-633.21

Item	Designation	Material	DN 40	DN 50	DN 65	DN 80	DN 100
416	Housing LES-90	1.4404	221-633.23	221-633.25	221-633.27	221-633.28	221-633.20
A	Actuator VARIVENT®		See spare parts list for VARIVENT® actuator				
A*	Adapter LFT-R	EN AW- 6082 T6	221-614.01	221-614.01	221-614.01	221-614.01	221-614.01
B	Control top T.VIS		See spare parts list for control top T.VIS				
	Control top S		See spare parts list for control top S				
C	Flushing valve SPV-C		See parts list for flushing valve SPV-C				
L	Lifting actuator T		See spare parts list for lifting actuator T				
	Grease RIVOLTA F.L.G. MD-2 100g tube not included in the seal set.		413-136				

If an actuator (A) is ordered as a spare part, the adapter (A\*) must also be ordered and mounted.

Table 1: Spare parts list - mixproof valve type L\_SC (DN 40 - DN 100)

Spare parts list - mixproof valve type L\_SC [OD]

Item	Designation	Material	1.5" OD	2" OD	2.5" OD	3" OD	4" OD
Seal set complete		EPDM	221-001176	221-001176	221-001178	221-001178	221-001180
		FKM	221-001177	221-001177	221-001179	221-001179	221-001181
		HNBR	--	--	221-003449	221-003449	--
** Do not grease items 7, 8 and 94.							
1	Seal ring	EPDM	924-085	924-085	924-085	924-085	924-085
		FKM	924-083	924-083	924-083	924-083	924-083
		HNBR	924-313	924-313	924-313	924-313	924-313
2	Bearing	PTFE/carbon	935-002	935-002	935-002	935-002	935-002
	Bearing, 3A	SUSTA-PVDF	935-099	935-099	935-099	935-099	935-099
4	Bearing disk	1.4301	221-142.03	221-142.03	221-142.03	221-142.03	221-142.03
5	O-ring	EPDM	930-144	930-144	930-150	930-150	930-156
		FKM	930-171	930-171	930-176	930-176	930-178
		HNBR	930-633	930-633	930-634	930-634	930-863
6	O-ring	NBR	930-004	930-004	930-004	930-004	930-004
**7	V-ring	EPDM	932-021	932-021	932-024	932-024	932-028
		FKM	932-033	932-033	932-035	932-035	932-039
		HNBR	932-088	932-088	932-090	932-090	932-100
**8	V-ring	EPDM	932-019	932-019	932-023	932-023	932-027
		FKM	932-032	932-032	932-034	932-034	932-038
		HNBR	932-084	932-084	932-089	932-089	932-099

Item	Designation	Material	1.5" OD	2" OD	2.5" OD	3" OD	4" OD
9	Lantern	1.4301	221-236.18	221-236.08	221-236.09	221-236.10	221-236.11
15	Valve disk T_R	1.4404	221-000673	221-000666	221-000650	221-000680	221-000644
16	Double-disk T_R	1.4404	221-000676	221-000669	221-000663	221-000679	221-000647
21	Guide ring	Turcite	935-056	935-056	935-042	935-042	935-043
21	Guide ring 3A	MF6	935-117	935-117	935-113	935-113	935-114
43	Clamp connection KL	1.4401	221-507.04	221-507.04	221-507.09	221-507.09	221-507.11
46	Clamp connection KL	1.4401	221-507.06	221-507.06	221-507.06	221-507.06	221-507.06
65	Seal ring	EPDM	924-305	924-305	924-296	924-296	924-254
		FKM	924-307	924-307	924-308	924-308	924-309
		HNBR	924-333	924-333	924-331	924-331	924-332
72	O-ring	EPDM	930-610	930-610	930-611	930-611	930-611
		FKM	930-662	930-662	930-663	930-663	930-663
		HNBR	930-646	930-646	30-647	930-647	930-647
73	Leakage housing T_R	1.4404	221-000665	221-000665	221-000641	221-000641	221-000643
74	Snap seal	PVDF	221-000522	221-000522	221-000523	221-000523	221-000523
**94	V-ring RA	EPDM	221-365.07	221-365.07	221-365.08	221-365.08	221-365.09
		FKM	221-365.10	221-365.10	221-365.11	221-365.11	221-365.12
		HNBR	221-365.18	221-365.18	221-365.20	221-365.20	221-365.19
145	Leak indicator	1.4301	221-237.43	221-237.43	221-237.43	221-237.43	221-237.43
415	Housing LCS-90	1.4404	221-633.03	221-633.05	221-633.07	221-633.09	221-633.19

Item	Designation	Material	1.5" OD	2" OD	2.5" OD	3" OD	4" OD
416	Housing LES-90	1.4404	221-633.22	221-633.24	221-633.26	221-633.17	221-633.18
A	Actuator VARIVENT®		See spare parts list for VARIVENT® actuator				
A*	Adapter LFT-R	EN AW- 6082 T6	221-614.01	221-614.01	221-614.01	221-614.01	221-614.01
B	Control top T.VIS		See spare parts list for control top T.VIS				
	Control top S		See spare parts list for control top S				
C	Flushing valve SPV-C		See parts list for flushing valve SPV-C				
L	Lifting actuator T		See spare parts list for lifting actuator T				
	Grease RIVOLTA F.L.G. MD-2 100g tube not included in the seal set.		413-136				

If an actuator (A) is ordered as a spare part, the adapter (A\*) must also be ordered and mounted.

Table 2: Spare parts list - mixproof valve type L\_SC (OD 1.5" - OD 4")

**GEA Tuchenhagen GmbH**  
**Am Industriepark 2-10**  
**21514 Büchen , Germany**

**Phone +49 4155 49-0**

221ELI002250 Copyright © GEA Tuchenhagen - All rights reserved - Subject to modifications.