

Instructions - seal set 24/7 PMO tank bottom valve Type MT with lift and spread lift actuator

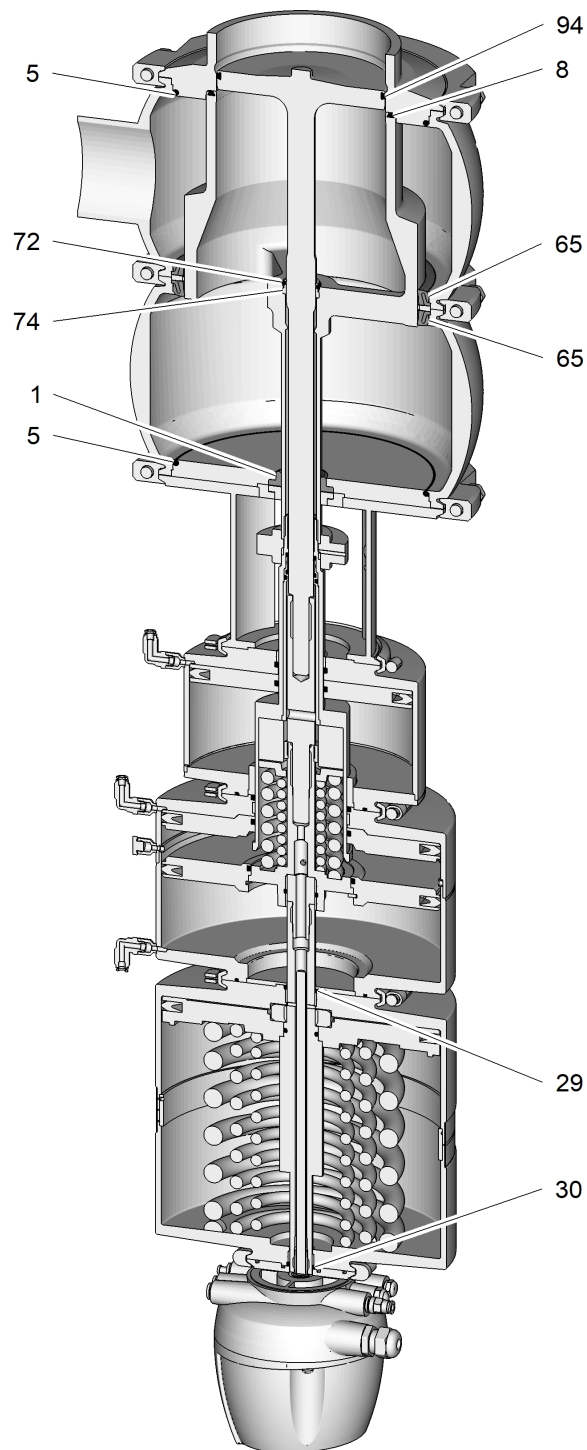


Fig.1

Seal set 24/7 PMO tank bottom valve - Type MT with lift and spread lift actuator							
Item	Qty.	Designation	Material	2.5"	3"	4"	6"
1	1	Seal ring	Ø	28	35	35	35
			EPDM	924-085	924-088	924-088	924-088
			FKM	924-083	924-087	924-087	924-087
5	5	O-ring	Ø	113x4	113x4	138x4	204x5
			EPDM	930-156	930-156	930-372	930-845
			FKM	930-178	930-178	930-409	930-842
6	1	O-ring	Ø	8x1.6	9x3	9x3	9x3
			NBR	930-004	930-007	930-007	930-007
**8	2	V-ring	Ø	81-6	81-6	120-6	148-6
			EPDM	932-025	932-025	932-059	932-042
			FKM	932-036	932-036	932-063	932-041
29	1	O-ring	Ø	20x3	25x3	25x3	25x3
			NBR	930-026	930-035	930-035	930-035
30	1	O-ring	Ø	20x3	20x3	20x3	20x3
			NBR	930-026	930-026	930-026	930-026
65	2	Seal ring	Ø	97	97	DN125	8" IPS
			EPDM	924-254	924-254	221-367.05	221-367.16
			FKM	924-309	924-309	221-367.10	221-367.23
72	1	O-ring	Ø	22x3.5	28x3.5	28x3.5	28x3
			EPDM	930-611	930-612	930-612	930-612
			FKM	930-663	930-664	930-664	930-664
74	1	Snap seal	Ø	23x3	23x3	29x3	29x3
			PVDF	221-000523	221-000524	221-000524	221-000524
**94	1	V-ring RA	Ø	DN80/65	DN80/65	DN100	6" IPS
			EPDM	221-365.08	221-365.08	221-365.09	221-365.16
			FKM	221-365.11	221-365.11	221-365.12	221-365.17
Seal set complete			Material	2.5"	3"	4"	6"
			EPDM	221-003858	221-003859	221-003860	221-003861
			FKM	221-003863	221-003864	221-003865	221-003866
Grease RIVOLTA F.L.G. 100g tube not included with seal set. ** Do not grease item 8 and 94						413-136	
Advice on storage: storage in accordance with DIN 7716 Relative humidity approx. 65%, temperature 15-25°C and protected from light When replacing seals, observe the instructions in the instruction manual!							

GEA Tuchenhausen GmbH

Am Industriepark 2-10, 21514 Büchen, Germany
Telefon +49 4155 49-0, Telefax + 49 4155 49-2035
www.gea.com

429-066