

Package insert - sealing kit T-smart 9 mixproof butterfly valve

Package insert - sealing kit T-smart 9 mixproof butterfly valve

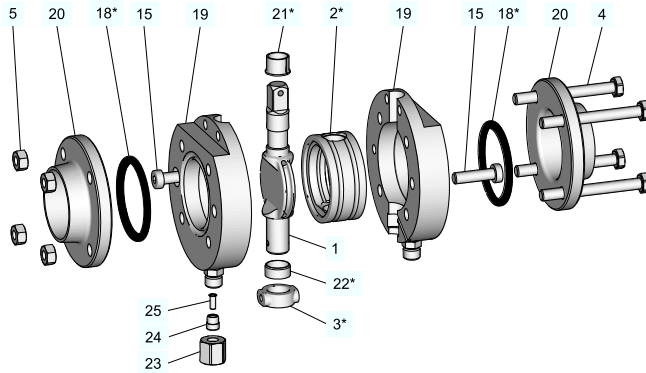


Fig.1

Item	Qty	Designation	Material	DN 50	DN 65	DN 80	DN 100
2	1	Shim valve seal	EPDM	224-000570	224-000571	224-000535	224-000573
3	1	Radial seal	EPDM	224-000536	224-000536	224-000536	224-000536
18	2	O-ring	EPDM	930-546	930-547	930-450	930-549
21	1	Plain bearing	IGLI-DUR F	704-046	704-046	704-046	704-046
22	1	Plain bearing	IGLI-DUR F	704-069	704-069	704-069	704-069
Sealing set cpl.			EPDM	224-000696	224-000697	224-000698	224-000699

**Package insert - sealing kit T-smart 9 mixproof butterfly valve**

Item	Qty	Designation	Material	2" OD	2.5" OD	3" OD	4" OD
2	1	Shim valve seal	EPDM	224-000570	224-000574	224-000572	224-000573
3	1	Radial seal	EPDM	224-000536	224-000536	224-000536	224-000536
18	2	O-ring	EPDM	930-559	930-546	930-546	930-546
21	1	Plain bearing	IGLI-DUR-F	704-046	704-046	704-046	704-046
22	1	Plain bearing	IGLI-DUR-F	704-069	704-069	704-069	704-069
Sealing set cpl.			EPDM	224-001396	224-001400	224-001404	224-001408
Grease RIVOLTA F.L.G. MD-2 100g tube not included in the sealing set.						413-136	
Grease BARRIERTA L 55/3 (only for seals VMQ)						413-137	
Storage instructions: storage in accordance with DIN 7716							
Relative humidity approx. 65%, temperature 15-25°C and protected from light							
When replacing seals, observe the instructions in the Operating Instructions!							
<b>429-045</b>							