

1 Dimension sheet - VARIVENT® / VARINLINE® housing connection T and T-S

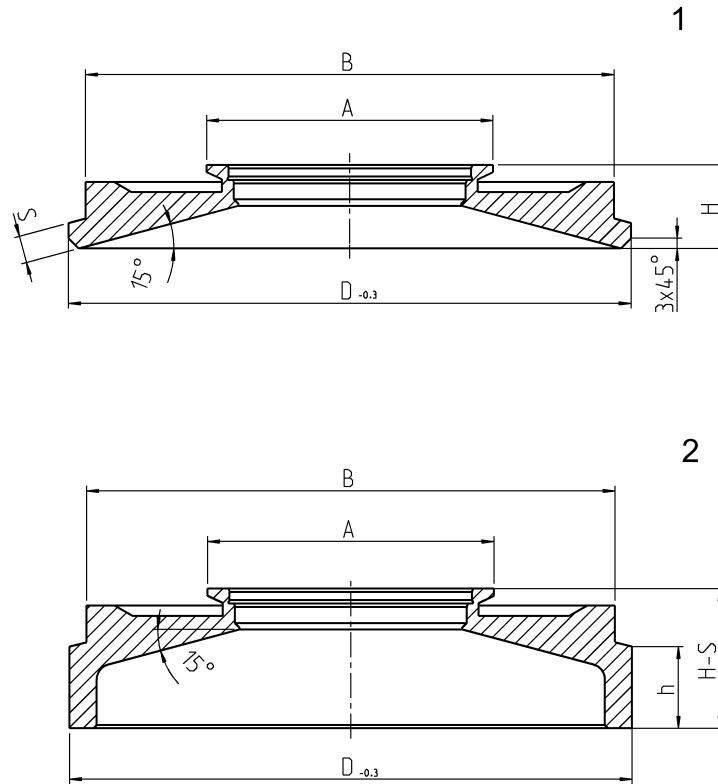


Fig.1: 1= housing connection flange T / 2= housing connection flange T-S

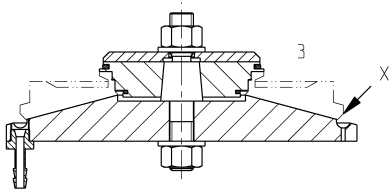


Fig.2: 3=welding jig / X=1. Welding

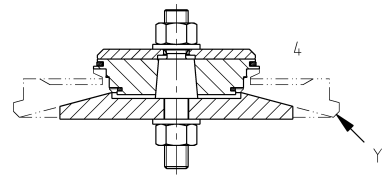


Fig.3: 4=welding jig for housing connection T Y= 2.welding

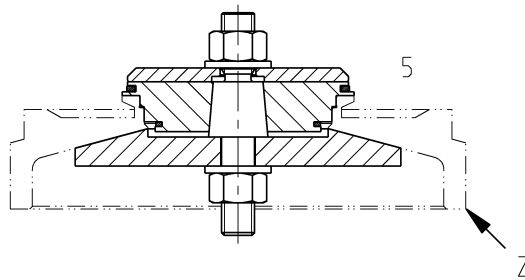


Fig.4: 5=welding jig for housing connection flange T-S / Z=welding

**Dimension sheet - VARIVENT® / VARINLINE® housing connection T and T-S**

Designation	Material	Material no.				
		DN 15	DN 25 1"	DN 50/40 2"/1.5"	DN 80/65 3"/2.5"	DN 100 4"
Housing connection flange T	1.4404 / 3.1	221-409.14	221-409.12	221-409.07	221-409.08	221-409.09
	1.4435 / 3.1	--	--	221-409.11	--	221-409.16
Housing connection flange T-S	1.4404 / 3.1	--	221-409.26	221-409.15	221-409.27	221-409.28
		<b>Dimensions in mm</b>				
A		Ø 52.7	Ø 66	Ø 84	Ø 115	Ø 142
B		--	Ø 135	Ø 155	Ø 190	Ø 215
D <sub>-0.3</sub>		Ø 105	Ø 145	Ø 165	Ø 200	Ø 225
H		22	24	24.5	28	27.5
H-S		--	41	41	45	45
S (max.)		8	8	8	8	8
h		--	25	25	25	25
		<b>Required welding jig cpl.</b>				
<b>Order size</b>		15	25	50/40	80/65	100
Material no. for housing connection flange T		--	229-104.01	229-104.07	229-104.13	229-104.19
Material no. for housing connection flange T-S		--	229-104.29	229-104.30	229-104.31	229-104.32
Welding jig T/RENT		--	229-104.25	229-104.26	229-104.27	229-104.28
Welding jig T-S/RENT		--	229-104.80	229-104.81	229-104.82	229-104.83

