

1 Instruction - Seal set for mixproof valve R-SG (without lifting actuator)

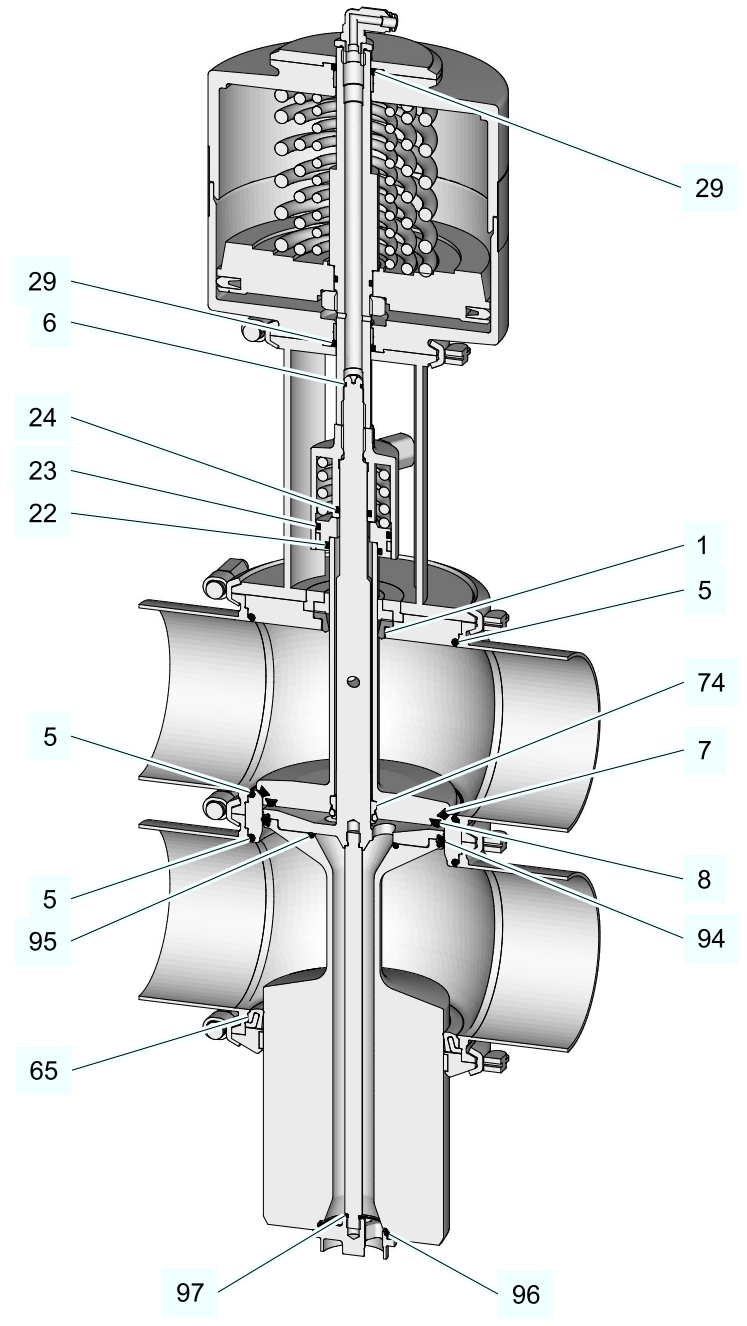
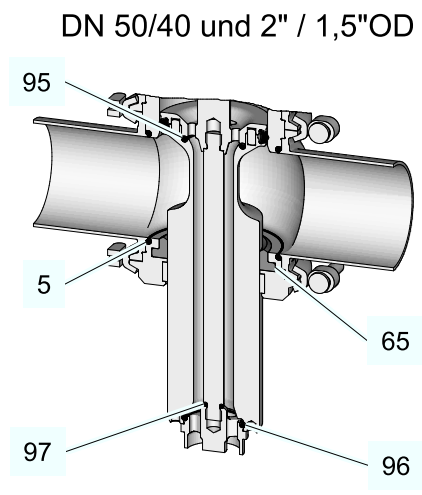
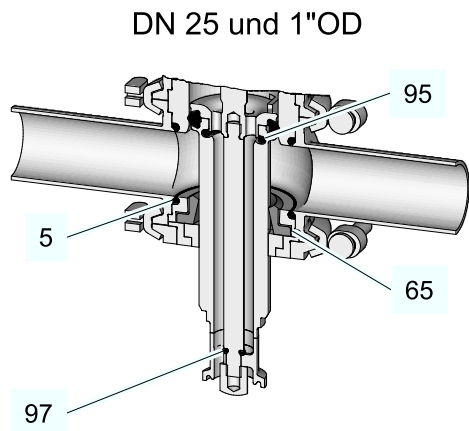


Fig.1

Instruction - Seal set for mixproof valve R-SG (without lifting actuator)

Seal sets for mixproof valve R-SG (without lifting actuator)									
Item	Qty.	Designation	Material	1"	1.5"	2"	2.5"	3"	4"
1	1	Seal ring	Ø	22	22	22	28	28	28
			FFKM	924-340	924-340	924-340	924-341	924-341	924-341
5*	3*	O-ring	Ø	42x3	60x3	60x3	85x4	85x4	113x4
			FFKM	930-873	930-875	930-875	930-876	930-876	930-877
6	1	O-ring	Ø	8x1.6	8x1.6	8x1.6	8x1.6	8x1.6	8x1.6
			NBR	930-004	930-004	930-004	930-004	930-004	930-004
7**	1	V-ring AX	Ø	35-5	52-6	52-6	76-6	76-6	104-6
			FFKM	932-110	932-114	932-114	932-116	932-116	932-119
8**	1	V-ring AX	Ø	28-5	44-6	44-6	68-6	68-6	96-6
			FFKM	932-111	932-113	932-113	932-115	932-115	932-118
22	1	O-ring	Ø	22x3	22x3	22x3	28x3	28x3	28x3
			FFKM	930-880	930-880	930-880	930-878	930-878	930-878
23	1	O-ring	Ø	30x3	38x3	38x3	38x3	38x3	38x3
			FFKM	930-881	930-879	930-879	930-879	930-879	930-879
24	1	O-ring	Ø	10x2.5	16x3	16x3	16x3	16x3	16x3
			FFKM	930-904	930-962	930-962	930-962	930-962	930-962
29	2	O-ring	Ø	20x3	20x3	20x3	20x3	20x3	20x3
			NBR	930-026	930-026	930-026	930-026	930-026	930-026
65	1	Seal ring	Ø	28	46	46	76	76	104
			FFKM	924-341	924-348	924-348	221-367.17	221-367.17	221-367.18
74	1	Cleaning nozzle	Ø	19	27	27	31	31	31
			PVDF	221-334.04	221-334.01	221-334.01	221-334.02	221-334.02	221-334.02
94**	1	V-ring	Ø	30-5	46-5	46-5	70-5	70-5	98-5
			FFKM	221-365.30	221-365.31	221-365.31	221-365.33	221-365.33	221-365.34
95	1	O-ring	Ø	20x3	26x3	26x3	38x3	38x3	46x3
			FFKM	930-974	930-579	930-579	930-879	930-879	930-289
96	1	O-ring	Ø	--	6x2	6x2	36x3	36x3	36x3
			FFKM	--	930-288	930-288	930-287	930-287	930-287
97	1	O-ring	Ø	5x2	26x3	26x3	6x2	6x2	6x2
			FFKM	930-959	930-579	930-579	930-288	930-288	930-288
Seal set complete			Material	1"	1.5"	2"	2.5"	3"	4"
			FFKM	221-528.145	221-007215	221-007215	221-528.146	221-528.146	221-528.147
Grease RIVOLTA F.L.G. 100g tube not included with seal set. 413-136									
* Pos 5: 4 pieces for 1"/1.5"/2"OD									
** Do not grease items 7, 8 and 94									
Advice on storage: storage in accordance with DIN 7716									
Relative humidity approx. 65%, temperature 15-25°C and protected from light									
When replacing seals, observe the instructions in the instruction manual!									
429-069									