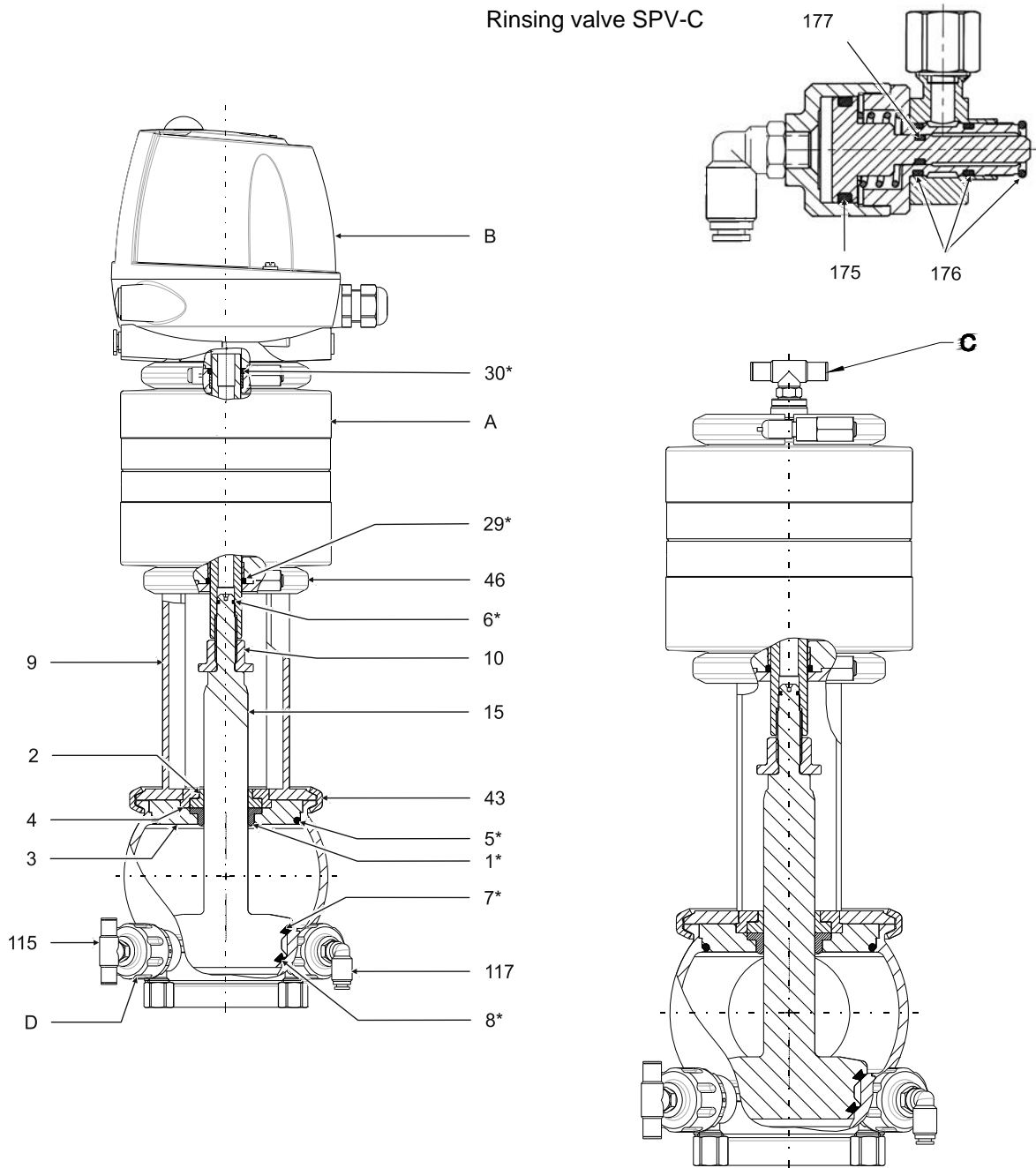


Sealing set Double-Seal Valve Type C



Spare Parts Drawing

Item	Qty	Designation	Material	DN 25 1"	DN 40/50 1.5"/2"	DN 65/80 2.5"/3"	DN 100 4"	DN 125	DN 150 6"
1	1	Sealing ring	Ø	22	22	28	28	35	35
			EPDM	924-084	924-084	924-085	924-085	924-088	924-088
			FKM	924-082	924-082	924-083	924-083	924-087	924-087
			HNBR	924-311	924-311	924-313	924-313	--	--
5	1	O-ring	Ø	42x3	60x3	85x4	113x4	138x4	158x5
			EPDM	930-309	930-144	930-150	930-156	930-372	930-260
			FKM	930-168	930-171	930-176	930-178	930-409	930-259
			HNBR	930-632	930-633	930-634	930-863	--	--
6	1	O-ring	Ø	8x1.6	8x1.6	8x1.6	8x1.6	9x3	9x3
			NBR	930-004	930-004	930-004	930-004	930-007	930-007
**7	1	V-ring	Ø	35-5	52-6	76-6	104-6	128-6	148-6
			EPDM	932-046	932-021	932-024	932-028	932-060	932-042
			FKM	932-030	932-033	932-035	932-039	932-062	932-041
			HNBR	932-087	932-088	932-090	932-100	--	--
**8	1	V-ring	Ø	28-5	44-6	68-6	96-6	120-6	140-6
			EPDM	932-017	932-019	932-023	932-027	932-059	932-045
			FKM	932-029	932-032	932-034	932-038	932-063	932-044
			HNBR	932-085	932-084	932-089	932-099	--	--
29*	1	O-ring	Ø	20x3	20x3	20x3	20x3	22x3	22x3
			NBR	930-026	930-026	930-026	930-026	930-035	930-035
30*	1	O-ring	Ø	20x3	20x3	20x3	20x3	20x3	20x3
			NBR	930-026	930-026	930-026	930-026	930-026	930-026
175*	2	O-ring	Ø	22x3	22x3	22x3	22x3	25x3	25x3
			NBR	930-029	930-029	930-029	930-029	930-029	930-029
176*	6	O-ring	Ø	11x2	11x2	11x2	11x2	11x2	11x2
			EPDM	930-677	930-677	930-677	930-677	930-677	930-677
			FKM	930-684	930-684	930-684	930-684	930-684	930-684
177*	2	O-ring	Ø	5x2	5x2	5x2	5x2	5x2	5x2
			EPDM	930-678	930-678	930-678	930-678	930-678	930-678
			FKM	930-1015	930-1015	930-1015	930-1015	930-1015	930-1015
Sealing set cpl.			EPDM	221-528.44	221-511.74	221-511.75	221-511.76	221-511.77	221-511.78
			FKM	221-528.45	221-519.53	221-519.54	221-519.55	221-519.56	221-519.57
			HNBR	221-528.97	221-519.85	221-519.86	221-004179	--	--
Grease RIVOLTA F.L.G. MD-2 100g tube not included in the sealing set				413-136					

**Do not grease item 7 and 8

Storing instructions: storage in accordance with DIN 7716

Relative humidity approx. 65%, temperature 15-25°C and protected from light

When replacing seals, observe the instructions in the Operating Instructions!