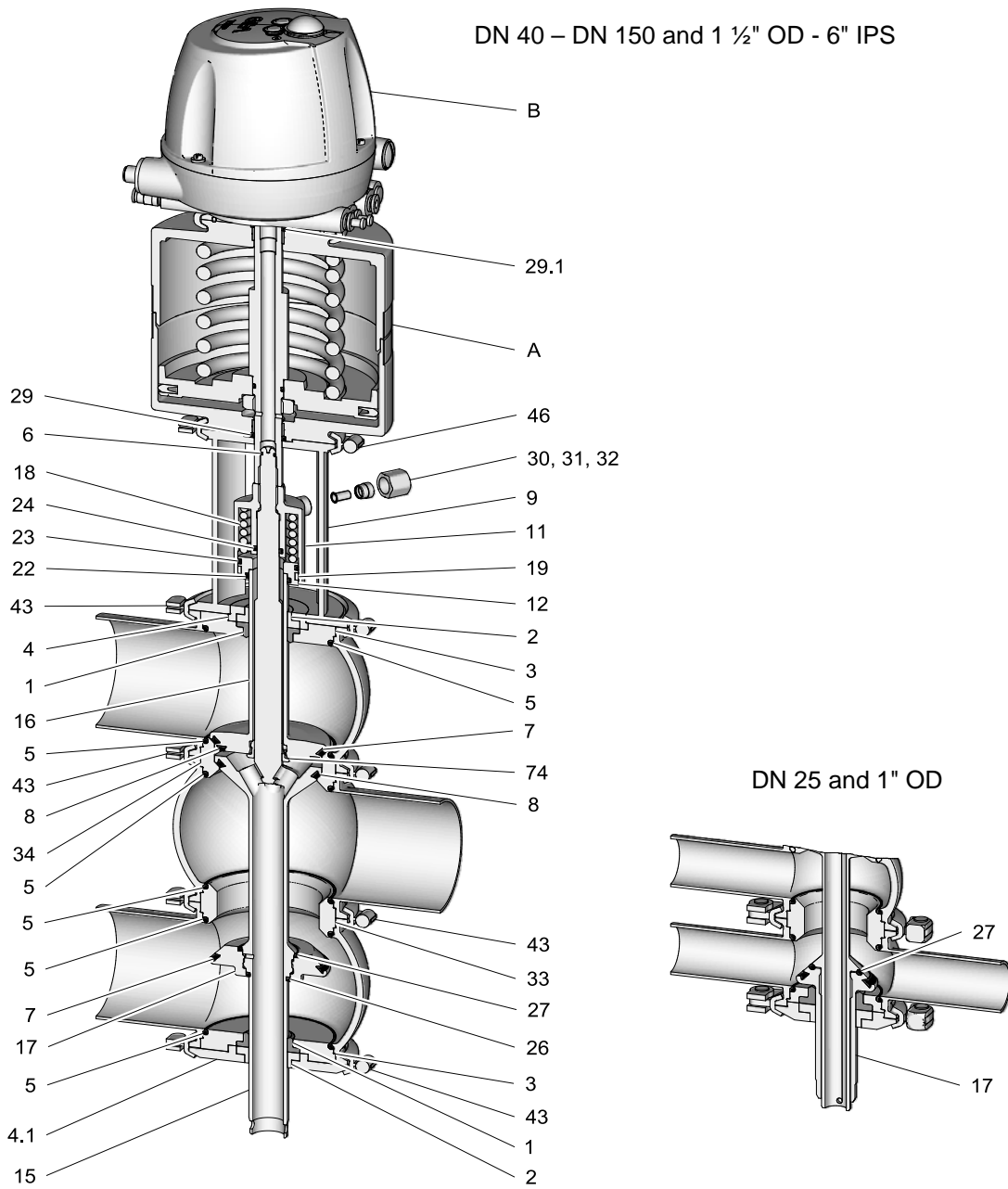
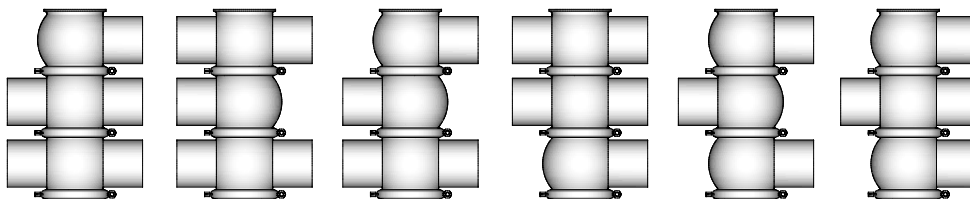


Sealing set Mixproof Shuttle Valve Type Y



Housing combinations



Seals for VARIVENT® Mixproof Shuttle Valve Y

Item	Qty	Designation	Material	DN 25 1"	DN 40/50 1.5"/2"	DN 65/80 2.5"/3"	DN 100 4"	DN 125	DN 150 6"
1	2	Sealing ring	Ø	22	22	28	28	35	35
			EPDM	924-084	924-084	924-085	924-085	924-088	924-088
			FKM	924-082	924-082	924-083	924-083	924-087	924-087
			HNBR	924-311	924-311	924-313	924-313	--	--
5	6	O-ring	Ø	42x3	60x3	85x4	113x4	138x4	158x5
			EPDM	930-309	930-144	930-150	930-156	930-372	930-260
			FKM	930-168	930-171	930-176	930-178	930-409	930-259
			HNBR	930-632	930-633	930-634	930-863	--	--
6	1	O-ring	Ø	8x1.6	8x1.6	8x1.6	8x1.6	9x3	9x3
			NBR	930-004	930-004	930-004	930-004	930-007	930-007
**7	2	V-ring	Ø	35-5	52-6	76-6	104-6	128-6	148-6
			EPDM	932-046	932-021	932-024	932-028	932-060	932-042
			FKM	932-030	932-033	932-035	932-039	932-062	932-041
			HNBR	932-087	932-088	932-090	932-100	--	--
**8	2	V-ring	Ø	28-5	44-6	68-6	96-6	120-6	140-6
			EPDM	932-017	932-019	932-023	932-027	932-059	932-045
			FKM	932-029	932-032	932-034	932-038	932-063	932-044
			HNBR	932-085	932-084	932-089	932-099	--	--
22	1	O-ring	Ø	22x3	22x3	28x3	28x3	35x3	35x3
			EPDM	930-268	930-268	930-243	930-243	930-356	930-356
			FKM	930-164	930-164	930-244	930-244	930-357	930-357
			HNBR	930-639	930-639	930-640	930-640	--	--
23	1	O-ring	Ø	30x3	38x3	38x3	38x3	56x3	56x3
			EPDM	930-525	930-246	930-246	930-246	930-266	930-266
			FKM	930-802	930-247	930-247	930-247	930-265	930-265
			HNBR	930-636	960-631	930-631	930-631	--	--
24	1	O-ring	Ø	10x2.5	16x3	16x3	16x3	22x3	22x3
			EPDM	930-368	930-235	930-235	930-235	930-268	930-268
			FKM	930-616	930-162	930-162	930-162	930-164	930-164
			HNBR	930-635	930-638	930-638	930-638	930-639	930-639
26	1	O-ring	Ø	--	20x3	26x3	26x3	38x3	38x3
			EPDM	--	930-270	930-252	930-252	930-246	930-246
			FKM	--	930-163	930-165	930-165	930-247	930-247
			HNBR	--	930-637	930-629	930-629	930-631	930-631
27	1	O-ring	Ø	23x3	32x3	38x3	38x3	50x3	50x3
			EPDM	930-350	930-312	930-246	930-246	930-364	930-364
			FKM	930-269	930-166	930-247	930-247	930-299	930-299
			HNBR	930-628	930-630	930-631	930-631	--	--
29	1	O-ring	Ø	20x3	20x3	20x3	20x3	25x3	25x3
			NBR	930-026	930-026	930-026	930-026	930-035	930-035
29.1	1	O-ring	Ø	20x3	20x3	20x3	20x3	20x3	20x3
			NBR	930-026	930-026	930-026	930-026	930-026	930-026
Sealing set cpl.			Material	DN 25 1"	DN 40/50 1 1/2"/2"	DN 65/80 2 1/2"/3"	DN 100 4"	DN 125	DN 150 6"
			EPDM	221-519.59	221-304.30	221-304.31	221-304.32	221-304.33	221-304.34
			FKM	221-519.61	221-519.39	221-519.40	221-519.41	221-519.42	221-519.43
			HNBR	221-519.78	221-519.79	221-519.80	--	--	--

Grease RIVOLTA F.L.G. MD-2 100g tube not included in the sealing set

413-136

** Do not grease item 7 and 8

Storing instructions: Store in accordance with DIN 7716, relative humidity approx. 65%, temperature 15-25° C and protected from light
When replacing seals, observe the instructions in the Operating Instructions!