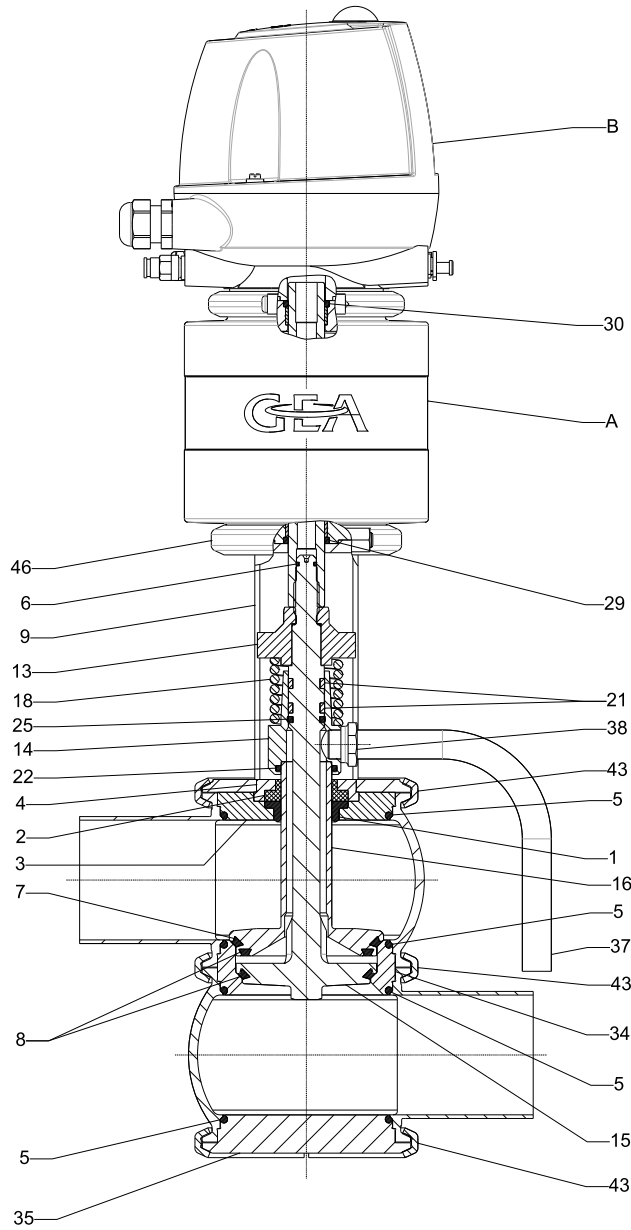


## Sealing set Mixproof Valve Type K



Spare Parts Drawing

429-017

GEA Tuchenhagen GmbH

Am Industriepark 2-10, 21514 Büchen, Germany  
Telefon +49 4155 49-0, Telefax + 49 4155 49-2035  
www.gea.com

Sealing Sets for VARIVENT® Mixproof Valve Type K

Item	Qty	Designation	Material Material	DN 25 1" OD	DN 40/50 1.5"/2" OD	DN 65/80 2.5"/3" OD	DN 100 4" OD	DN 125	DN 150 6" OD
1	1	Sealing ring	Ø EPDM FKM HNBR	22 924-084 924-082 924-311	22 924-084 924-082 924-311	28 924-085 924-083 924-313	28 924-085 924-083 924-313	35 924-088 924-087 --	35 924-088 924-087 --
5	4	O-ring	Ø EPDM FKM HNBR	42x3 930-309 930-168 930-632	60x3 930-144 930-171 930-633	85x4 930-150 930-176 930-634	113x4 930-156 930-178 930-863	138x4 930-372 930-409 --	158x5 930-260 930-259 --
6	1	O-ring	Ø NBR	8x1.6 930-004	8x1.6 930-004	8x1.6 930-004	8x1.6 930-004	9x3 930-007	9x3 930-007
**7	1	V-ring	Ø EPDM FKM HNBR	35-5 932-046 932-030 932-087	52-6 932-021 932-033 932-088	76-6 932-024 932-035 932-090	104-6 932-028 932-039 932-100	128-6 932-060 932-062 --	148-6 932-042 932-041 --
**8	2	V-ring	Ø EPDM FKM HNBR	28-5 932-017 932-029 932-085	44-6 932-019 932-032 932-084	68-6 932-023 932-034 932-089	96-6 932-027 932-038 932-099	120-6 932-059 932-063 --	140-6 932-045 932-044 --
22	1	O-ring	Ø EPDM FKM HNBR	22x3 930-268 930-164 930-639	22x3 930-268 930-164 930-639	28x3 930-243 930-244 930-640	28x3 930-243 930-244 930-640	35x3 930-356 930-357 --	35x3 930-356 930-357 --
25	1	O-ring	Ø EPDM FKM HNBR	11x3 930-311 930-335 930-803	11x3 930-311 930-335 930-803	15x3 930-276 930-277 930-627	15x3 930-276 930-277 930-627	20x3 930-270 930-163 --	20x3 930-270 930-163 --
29	1	O-ring	Ø NBR	20x3 930-026	20x3 930-026	20x3 930-026	20x3 930-026	25x3 930-035	25x3 930-035
30	1	O-ring	Ø NBR	20x3 930-026	20x3 930-026	20x3 930-026	20x3 930-026	20x3 930-026	20x3 930-026

Sealing set cpl.	EPDM	221-304.12	221-304.13	221-304.14	221-304.15	221-304.16	221-304.17
	FKM	221-519.32	221-519.33	221-519.34	221-519.35	221-519.36	221-519.37
	HNBR	221-519.75	221-519.76	221-519.77	221-004176	--	--

Grease RIVOLTA F.L.G. MD-2 100g tube not included in the sealing set 413-136

\*\*Do not grease item 7 and 8

Storing instructions: storage in accordance with DIN 7716

Relative humidity approx. 65%, temperature 15-25°C and protected from light

When replacing seals, observe the instructions in the Operating Instructions!