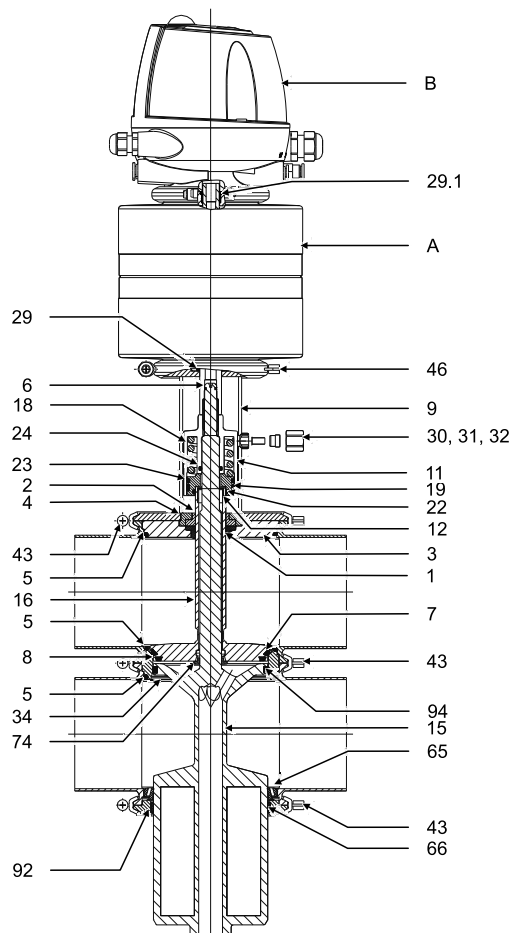
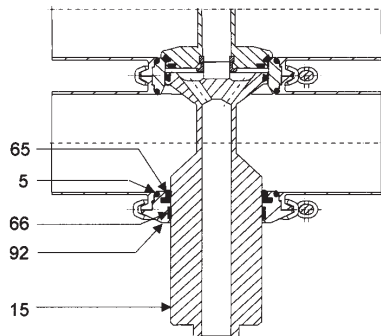


## Sealing set Mixproof Valve R

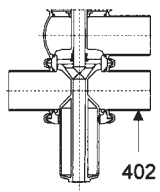
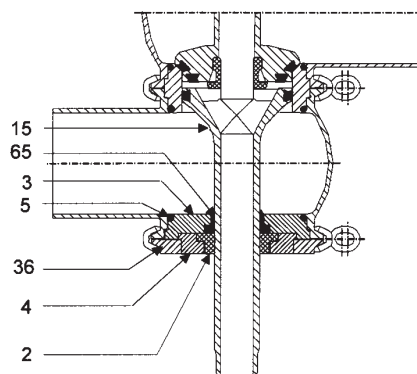


Spare Parts Drawing

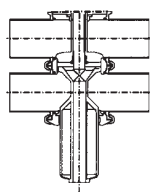
DN 50/40; 2"/1,5"OD; 2"IPS



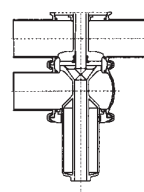
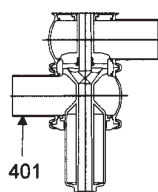
DN 25; 1" OD



402



401



Housing combinations

## Seals for VARIVENT® Mixproof Valve R

Item.	Qty	Designation	Material	DN 25 1"	DN 40/50 1,5"/2"	DN 65/80 2,5"/3"	DN 100 4"	DN 125	DN 150 6"
1	1	Sealing ring	EPDM FKM HNBR	924-084 924-082 924-311	924-084 924-082 924-311	924-085 924-083 924-313	924-085 924-083 924-313	924-088 924-087 --	924-088 924-087 --
5*	4	O-ring	EPDM FKM HNBR	930-309 930-168 930-632	930-144 930-171 930-633	930-150 930-176 930-634	930-156 930-178 930-863	930-372 930-409 --	930-260 930-259 --
6	1	O-ring	NBR	930-004	930-004	930-004	930-004	930-007	930-007
**7	1	V-ring	EPDM FKM HNBR	932-046 932-030 932-087	932-021 932-033 932-088	932-024 932-035 932-090	932-028 932-039 932-100	932-060 932-062 --	932-042 932-041 --
**8	1	V-ring	EPDM FKM HNBR	932-017 932-029 932-085	932-019 932-032 932-084	932-023 932-034 932-089	932-027 932-038 932-099	932-059 932-063 --	932-045 932-044 --
22	1	O-ring	EPDM FKM HNBR	930-268 930-164 930-639	930-268 930-164 930-639	930-268 930-164 930-640	930-243 930-244 930-640	930-356 930-357 --	930-356 930-357 --
23	1	O-ring	EPDM FKM HNBR	930-525 930-802 930-636	930-246 930-247 930-631	930-246 930-247 930-631	930-246 930-247 930-631	930-266 930-265 --	930-266 930-265 --
24	1	O-ring	EPDM FKM HNBR	930-368 930-616 930-635	930-235 930-162 930-638	930-235 930-162 930-638	930-235 930-162 930-638	930-268 930-164 930-639	930-268 930-164 930-639
29	1	O-ring	∅	20x3	20x3	20x3	20x3	25x3	25x3
			NBR	930-026	930-026	930-026	930-026	930-035	930-035
29.1	1	O-ring	∅	20x3	20x3	20x3	20x3	20x3	20x3
			NBR	930-026	930-026	930-026	930-026	930-026	930-026
65	1	Sealing ring	EPDM FKM HNBR	924-084 924-082 924-311	924-305 924-307 924-333	221-367.03 221-367.08 221-367.15	221-367.04 221-367.09 221-367.14	221-367.05 221-367.10 --	221-367.06 221-367.11 --
**94	1	V-ring RA	EPDM FKM HNBR	221-365.13 221-365.21 221-365.24	221-365.07 221-365.10 221-365.18	221-365.08 221-365.11 221-365.20	221-365.09 221-365.12 221-365.19	221-365.14 221-365.15 --	221-365.16 221-365.17 --
Sealing set M cpl.			EPDM FKM HNBR	221-528.74 221-001424 221-004163	221-511.32 221-519.11 221-000752	221-001693 221-001695 221-004165	221-001687 221-001688 221-004166	221-001689 221-001690 --	221-001692 221-001691 --
Grease RIVOLTA F.L.G. MD-2 100g tube not included in the sealing set						413-136			

\* Item. 5: 4 pieces in DN25/40/50

\*\* Do not grease item 7, 8 and 94

Storage Instruction: Storage acc. DIN 7716 relative humidity of air approx. ca. 65%, temperature between 15-25°C (59-77°F), storage to be light protected! Observe the operating instructions when replacing the seals!