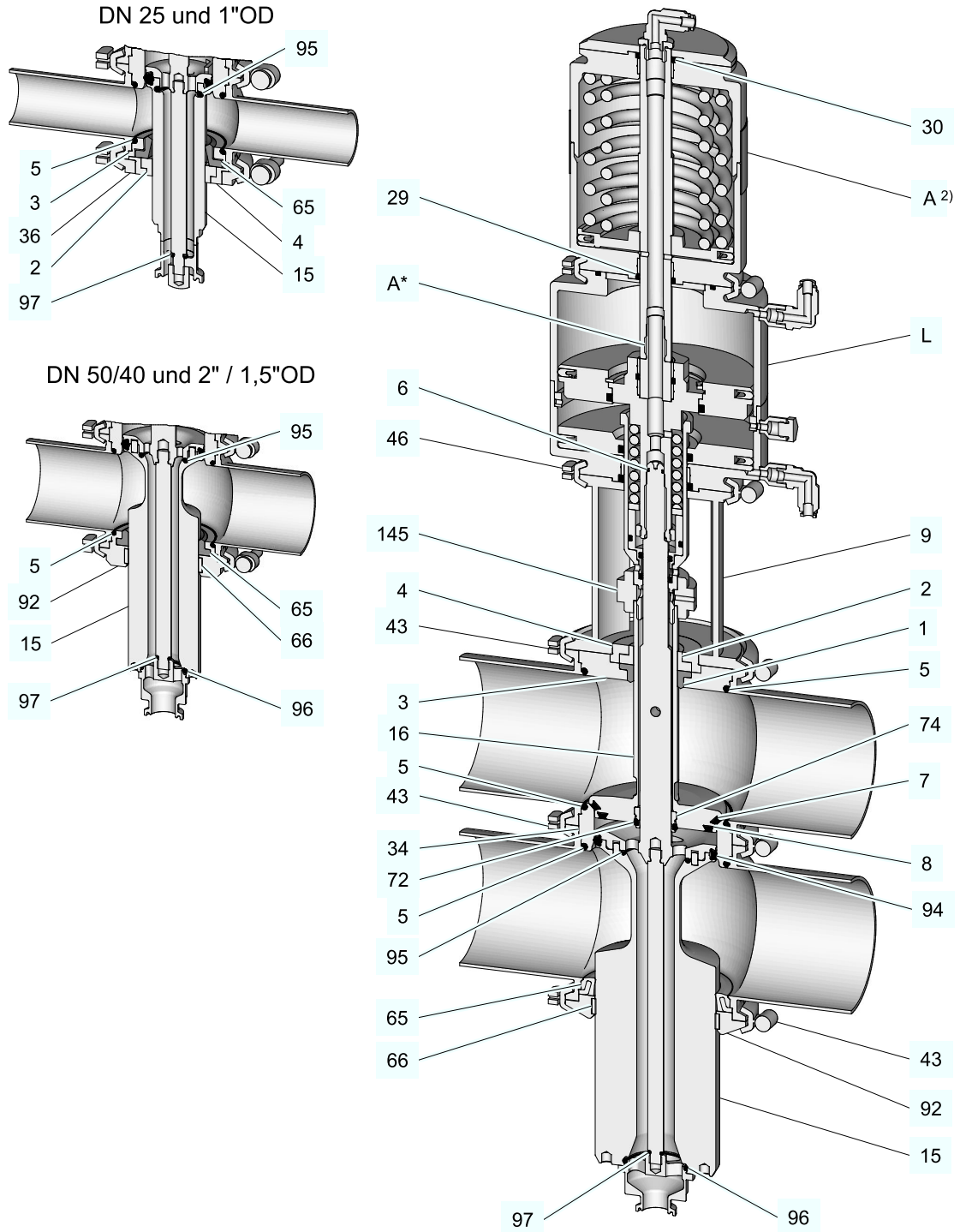


1 Spare parts list - mixproof valve R-SG/C\_C with lift actuator\_LR



Spare parts list - mixproof valve R-SG/C\_C with lift actuator\_LR

Item	Designation	Material	1" OD	1.5" OD	2" OD
Seal set		FFKM	221-528.100	221-528.101	221-528.101
1*	Seal ring	FFKM	924-340	924-341	924-341
2	Bearing	PTFE/carbon	--	935-002	935-002
	Bearing, 3A	PEEK	--	935-099	935-099
	Bearing DN25/28-40	PTFE/carbon	935-132	--	--
3	Seal disk	1.4404/316L	221-141.53	221-141.36	221-141.36
	Sealing washer FFKM	Al-6XN	221-141.54	221-141.48	221-141.48
4	Bearing disc	1.4301	221-142.06	221-142.05	221-142.05
5*	O-ring	FFKM	930-873	930-875	930-875
6*	O-ring	NBR	930-004	930-004	930-004
**7*	V-ring	FFKM	932-110	932-114	932-114
**8*	V-ring	FFKM	932-111	932-113	932-113
9	Lantern	1.4301	221-236.20	221-236.18	221-236.08
15	Valve disc R-SG/C	1.4404/316L	221-765.02	221-765.06	221-765.03
		Al-6XN	--	221-765.14	221-765.13
16	Double-disk D.L	1.4404/316L	221-238.51	221-238.45	221-238.46
		Al-6XN	221-238.58	221-238.54	221-238.62
29*	O-ring	NBR	930-026	930-026	930-026
30*	O-ring	NBR	930-026	930-026	930-026
34	Seat ring R	1.4404/316L	221-402.19	221-402.09	221-402.09
		Al-6XN	221-402.22	221-402.14	221-402.14
36	Locking ring	1.4301	221-143.01	--	--
43	Clamp join KL	1.4401	221-507.02	221-507.04	221-507.04
46	Clamp join KL	1.4401	221-507.06	221-507.06	221-507.06
65*	Seal ring	FFKM	924-341	924-348	924-348
66	Guide ring	Turcite	--	935-056	935-056
	Guide ring 3A	MF6	--	935-117	935-117
72*	O-ring	FFKM	930-053	930-054	930-054
74*	Snap seal	PVDF	221-000521	221-000522	221-000522
92	Balancer fastener	1.4404/316L	--	221-348.08	221-348.08
		Al-6XN	--	221-348.09	221-348.09
**94*	V-ring RA	FFKM	221-365.30	221-365.31	221-365.31
95*	O-ring	FFKM	930-974	930-579	930-579
96*	O-ring	FFKM	--	930-288	930-288
97*	O-ring	FFKM	930-959	930-579	930-579
145	Leak indicator	1.4301	221-513.01	221-237.43	221-237.43
401	Housing V1	1.4404/316L	221-101.67	221-101.63	221-101.64
		Al-6XN	221-101.125	221-101.92	221-101.87
402	Housing V2	1.4404/316L	221-102.36	221-102.99	221-102.83
		Al-6XN	221-102.150	221-902.24	221-902.23
A <sup>2)</sup>	Actuator	See spare parts list/dimension sheet for actuator VARIVENT			
A*	Adapter LFT-R	EN AW-6082 T6	221-614.01	221-614.01	221-614.01
L	Lift actuator_LR	see spare parts list for the lift actuator_LR			

**Spare parts list - mixproof valve R-SG/C\_C with lift actuator\_LR**

Item	Designation	Material	1" OD	1.5" OD	2" OD
Grease RIVOLTA F.L.G. 100g tube not included with seal set.				413-136	
1) Seal set includes items 1, 5, 6, 7, 8, 29, 30, 65, 72, 74, 94, 95, 96 and 97. * Items marked with an * are wearing parts ** Do not grease items 7, 8 and 94 2) If an actuator is ordered as a spare part, the adapter (A*) must also be ordered and mounted.					

<b>Valve disk multiple piece</b>					
Designation	Material	1" OD	1.5" OD	2" OD	
Valve disc R-SG	1.4404/316L	221-765.02	221-765.06	221-765.03	
Valve rod R-SG	1.4404/316L	221-006669	221-006737	221-006666	
Balancer R-SG	1.4404/316L	221-006665	221-006743	221-006662	
Leakage drain R-SG	1.4404/316L	--	221-006681	221-006681	
V-ring	FFKM	221-365.30	221-365.31	221-365.31	
O-ring leak_c	FFKM	930-579	930-579	930-579	
O-ring rod	FFKM	930-959	930-288	930-288	
O-ring OT/UT	FFKM	930-974	930-579	930-579	
Cap nut	Al-6XN	221-006700	--	--	

Designation	Material	1" OD	1.5" OD	2" OD	
Valve disc R-SG	Al-6XN	--	221-765.14	221-765.13	
Valve rod R-SG	Al-6XN	--	221-006784	221-006779	
Balancer R-SG	Al-6XN	--	221-006785	221-006778	
Leakage drain R-SG	Al-6XN	--	221-006782	221-006782	
V-ring	FFKM	221-365.30	221-365.31	221-365.31	
O-ring leak_c	FFKM	--	930-579	930-579	
O-ring rod	FFKM	930-959	930-288	930-288	
O-ring OT/UT	FFKM	930-974	930-579	930-579	
Cap nut	Al-6XN	221-006700	--	--	

Item	Designation	Material	2.5" OD	3" OD	4" OD
Seal set		FFKM	221-528.102	221-528.102	221-528.103
1*	Seal ring	FFKM	924-341	924-341	924-341
2	Bearing	PTFE/carbon	935-002	935-002	935-002
	Bearing, 3A	PEEK	935-099	935-099	935-099
	Bearing DN25/28-40	PTFE/carbon	--	--	--
3	Seal disk	1.4404/316L	221-141.40	221-141.40	221-141.47
	Sealing washer FFKM	Al-6XN	221-141.25	221-141.25	221-141.37
4	Bearing disc	1.4301	221-142.03	221-142.03	221-142.03
5*	O-ring	FFKM	930-876	930-876	930-877
6*	O-ring	NBR	930-004	930-004	930-004
**7*	V-ring	FFKM	932-116	932-116	932-119
**8*	V-ring	FFKM	932-115	932-115	932-118
9	Lantern	1.4301	221-236.09	221-236.23	221-236.19
15	Valve disc R-SG/C	1.4404/316L	221-765.01	221-765.04	221-765.05
		Al-6XN	221-765.17	221-765.18	221-765.22

Spare parts list - mixproof valve R-SG/C\_C with lift actuator\_LR

Item	Designation	Material	2.5" OD	3" OD	4" OD
16	Double-disk D.L	1.4404/316L	221-238.48	221-238.47	221-238.69
		Al-6XN	221-238.75	221-238.50	221-238.72
29*	O-ring	NBR	930-026	930-026	930-026
30*	O-ring	NBR	930-026	930-026	930-026
34	Seat ring R	1.4404/316L	221-402.10	221-402.10	221-402.20
		Al-6XN	221-402.18	221-402.18	221-402.21
36	Locking ring	1.4301	--	--	--
43	Clamp join KL	1.4401	221-507.09	221-507.09	221-507.11
46	Clamp join KL	1.4401	221-507.06	221-507.06	221-507.06
65*	Seal ring	FFKM	221-367.17	221-367.17	221-367.18
66	Guide ring	Turcite	935-078	935-078	935-076
	Guide ring 3A	MF6	935-120	935-120	935-119
72*	O-ring	FFKM	930-055	930-055	930-055
74*	Snap seal	PVDF	221-000523	221-000523	221-000523
92	Balancer fastener	1.4404/316L	--	--	--
		Al-6XN	--	--	--
**94*	V-ring RA	FFKM	221-365.33	221-365.33	221-365.34
95*	O-ring	FFKM	930-879	930-879	930-289
96*	O-ring	FFKM	930-287	930-287	930-287
97*	O-ring	FFKM	930-288	930-288	930-288
145	Leak indicator	1.4301	221-237.43	221-237.43	221-237.43
401	Housing V1	1.4404/316L	221-101.82	221-101.65	221-101.81
		Al-6XN	221-101.76	221-101.71	221-101.88
402	Housing V2	1.4404/316L	221-902.12	221-902.20	221-902.11
		Al-6XN	221-902.37	221-902.09	221-902.21
A 2)	Actuator	See spare parts list/dimension sheet for actuator VARIVENT			
A*	Adapter LFT-R	EN AW-6082 T6	221-614.01	221-614.01	221-614.01
L	Lift actuator_LR	see spare parts list for the lift actuator_LR			
Grease RIVOLTA F.L.G. 100g tube not included with seal set.				413-136	
<p>1) Seal set includes items 1, 5, 6, 7, 8, 29, 30, 65, 72, 74, 94, 95, 96 and 97.                      * Items marked with an * are wearing parts                      ** Do not grease items 7, 8 and 94                      2) If an actuator is ordered as a spare part, the adapter (A*) must also be ordered and mounted.</p>					

Valve disk multiple piece					
Designation	Material	2.5" OD	3" OD	4" OD	
Valve disc R-SG	1.4404/316L	221-765.01	221-765.04	221-765.05	
Valve rod R-SG	1.4404/316L	221-006523	221-006667	221-006668	
Balancer R-SG	1.4404/316L	221-006524	221-006663	221-006664	
Leakage drain R-SG	1.4404/316L	221-006525	221-006525	221-006525	
V-ring	FFKM	221-365.33	221-365.33	221-365.34	
O-ring leak_c	FFKM	930-287	930-287	930-287	
O-ring rod	FFKM	930-288	930-288	930-288	

## Spare parts list - mixproof valve R-SG/C\_C with lift actuator\_LR

Valve disk multiple piece				
Designation	Material	2.5" OD	3" OD	4" OD
O-ring OT/UT	FFKM	930-879	930-879	930-879
Cap nut	Al-6XN	--	--	--

Designation	Material	2.5" OD	3" OD	4" OD
Valve disc R-SG	Al-6XN	221-765.17	221-765.18	221-765.22
Valve rod R-SG	Al-6XN	221-006793	221-006794	221-006806
Balancer R-SG	Al-6XN	221-006791	221-006792	221-006804
Leakage drain R-SG	Al-6XN	221-006797	221-006797	221-006797
V-ring	FFKM	221-365.33	221-365.33	221-365.34
O-ring leak_c	FFKM	930-287	930-287	930-287
O-ring rod	FFKM	930-288	930-288	930-288
O-ring OT/UT	FFKM	930-879	930-879	930-879
Cap nut	Al-6XN	--	--	--

Item	Designation	Material	1.5"/1" OD	2"/1" OD	2.5"/1" OD
Seal set		FFKM	221-528.100	221-528.100	221-528.100
1*	Seal ring	FFKM	924-340	924-340	924-340
2	Bearing	PTFE/carbon	--	--	--
	Bearing, 3A	PEEK	--	--	--
	Bearing DN25/28-40	PTFE/carbon	935-132	935-132	935-132
3	Seal disk	1.4404/316L	221-141.53	221-141.53	221-141.53
	Sealing washer FFKM	Al-6XN	221-141.54	221-141.54	221-141.54
4	Bearing disc	1.4301	221-142.06	221-142.06	221-142.06
5*	O-ring	FFKM	930-873	930-873	930-873
6*	O-ring	NBR	930-004	930-004	930-004
**7*	V-ring	FFKM	932-110	932-110	932-110
**8*	V-ring	FFKM	932-111	932-111	932-111
9	Lantern	1.4301	221-236.20	221-236.20	221-236.20
15	Valve disc R-SG/C	1.4404/316L	221-765.25	221-765.26	--
		Al-6XN	--	--	221-765.24
16	Double-disk D.L	1.4404/316L	221-238.77	221-238.66	221-238.71
		Al-6XN	--	221-238.76	--
29*	O-ring	NBR	930-026	930-026	930-026
30*	O-ring	NBR	930-026	930-026	930-026
34	Seat ring R	1.4404/316L	221-402.19	221-402.19	221-402.19
		Al-6XN	221-402.22	221-402.22	221-402.22
36	Locking ring	1.4301	221-143.01	221-143.01	221-143.01
43	Clamp join KL	1.4401	221-507.02	221-507.02	221-507.02
46	Clamp join KL	1.4401	221-507.06	221-507.06	221-507.06
65*	Seal ring	FFKM	924-341	924-341	924-341
66	Guide ring	Turcite	--	--	--
	Guide ring 3A	MF6	--	--	--
72*	O-ring	FFKM	930-053	930-053	930-053

Spare parts list - mixproof valve R-SG/C\_C with lift actuator\_LR

Item	Designation	Material	1.5"/1" OD	2"/1" OD	2.5"/1" OD
74*	Snap seal	PVDF	221-000521	221-000521	221-000521
92	Balancer fastener	1.4404/316L	--	--	--
		AI-6XN	--	--	--
**94*	V-ring RA	FFKM	221-365.30	221-365.30	221-365.30
95*	O-ring	FFKM	930-974	930-974	930-974
96*	O-ring	FFKM	--	--	--
97*	O-ring	FFKM	930-959	930-959	930-959
145	Leak indicator	1.4301	221-513.01	221-513.01	221-513.01
401	Housing V1	1.4404/316L	--	--	--
		AI-6XN	--	--	--
402	Housing V2	1.4404/316L	221-902.33	221-902.32	--
		AI-6XN	221-902.35	221-902.36	221-902.34
A <sup>2)</sup>	Actuator	See spare parts list/dimension sheet for actuator VARIVENT			
A*	Adapter LFT-R	EN AW-6082 T6	221-614.01	221-614.01	221-614.01
L	Lift actuator_LR	see spare parts list for the lift actuator_LR			
Grease RIVOLTA F.L.G. 100g tube not included with seal set.				413-136	
1) Seal set includes items 1, 5, 6, 7, 8, 29, 30, 65, 72, 74, 94, 95, 96 and 97.					
* Items marked with an * are wearing parts					
** Do not grease items 7, 8 and 94					
2) If an actuator is ordered as a spare part, the adapter (A*) must also be ordered and mounted.					

Valve disk multiple piece				
Designation	Material	1.5"/1" OD	2"/1" OD	2.5"/1" OD
Valve disc R-SG	1.4404/316L	221-765.25	221-765.26	--
Valve rod R-SG	1.4404/316L	221-006815	221-006816	--
Balancer R-SG	1.4404/316L	221-006665	221-006665	--
Leakage drain R-SG	1.4404/316L	--	--	--
V-ring	FFKM	221-365.30	221-365.30	221-365.30
O-ring leak_c	FFKM	--	--	--
O-ring rod	FFKM	930-959	930-959	930-959
O-ring OT/UT	FFKM	930-974	930-974	930-974
Cap nut	AI-6XN	221-006700	221-006700	221-006700

Designation	Material	1.5"/1" OD	2"/1" OD	2.5"/1" OD
Valve disc R-SG	AI-6XN	--	--	221-765.24
Valve rod R-SG	AI-6XN	--	--	221-006814
Balancer R-SG	AI-6XN	--	--	221-006812
Leakage drain R-SG	AI-6XN	--	--	--
V-ring	FFKM	221-365.30	221-365.30	221-365.30
O-ring leak_c	FFKM	--	--	--
O-ring rod	FFKM	930-959	930-959	930-959
O-ring OT/UT	FFKM	930-974	930-974	930-974
Cap nut	AI-6XN	221-006700	221-006700	221-006700

**Spare parts list - mixproof valve R-SG/C\_C with lift actuator\_LR**

Item	Designation	Material	1"/1.5" OD	1"/2" OD	1.5"/2" OD
Seal set		FFKM	221-528.100	221-528.100	221-528.101
1*	Seal ring	FFKM	924-340	924-340	924-341
2	Bearing	PTFE/carbon	--	--	935-002
	Bearing, 3A	PEEK	--	--	935-099
	Bearing DN25/28-40	PTFE/carbon	935-132	935-132	--
3	Seal disk	1.4404/316L	221-141.53	221-141.53	221-141.36
	Sealing washer FFKM	Al-6XN	221-141.54	221-141.54	221-141.48
4	Bearing disc	1.4301	221-142.06	221-142.06	221-142.05
5*	O-ring	FFKM	930-873	930-873	930-875
6*	O-ring	NBR	930-004	930-004	930-004
**7*	V-ring	FFKM	932-110	932-110	932-114
**8*	V-ring	FFKM	932-111	932-111	932-113
9	Lantern	1.4301	221-236.20	221-236.20	221-236.18
15	Valve disc R-SG/C	1.4404/316L	--	--	221-765.06
		Al-6XN	--	221-765.16	221-765.14
16	Double-disk D.L	1.4404/316L	221-238.51	221-238.51	221-238.45
		Al-6XN	221-238.58	221-238.58	221-238.54
29*	O-ring	NBR	930-026	930-026	930-026
30*	O-ring	NBR	930-026	930-026	930-026
34	Seat ring R	1.4404/316L	221-402.19	221-402.19	221-402.09
		Al-6XN	221-402.22	221-402.22	221-402.14
36	Locking ring	1.4301	221-143.01	221-143.01	--
43	Clamp join KL	1.4401	221-507.02	221-507.02	221-507.04
46	Clamp join KL	1.4401	221-507.06	221-507.06	221-507.06
65*	Seal ring	FFKM	924-341	924-341	924-348
66	Guide ring	Turcite	--	--	935-056
	Guide ring 3A	MF6	--	--	935-117
72*	O-ring	FFKM	930-053	930-053	930-054
74*	Snap seal	PVDF	221-000521	221-000521	221-000522
92	Balancer fastener	1.4404/316L	--	--	221-348.08
		Al-6XN	--	--	221-348.09
**94*	V-ring RA	FFKM	221-365.30	221-365.30	221-365.31
95*	O-ring	FFKM	930-974	930-974	930-579
96*	O-ring	FFKM	--	--	930-288
97*	O-ring	FFKM	930-959	930-959	930-579
145	Leak indicator	1.4301	221-513.01	221-513.01	221-513.43
401	Housing V1	1.4404/316L	--	--	--
		Al-6XN	--	--	--
402	Housing V2	1.4404/316L	221-902.33	221-902.32	221-102.99
		Al-6XN	221-902.35	221-902.36	221-902.24
A <sup>2)</sup>	Actuator	See spare parts list/dimension sheet for actuator VARIVENT			
A*	Adapter LFT-R	EN AW-6082 T6	221-614.01	221-614.01	221-614.01
L	Lift actuator_LR	see spare parts list for the lift actuator_LR			

Spare parts list - mixproof valve R-SG/C\_C with lift actuator\_LR

Item	Designation	Material	1"/1.5" OD	1"/2" OD	1.5"/2" OD
Grease RIVOLTA F.L.G. 100g tube not included with seal set.				413-136	
1) Seal set includes items 1, 5, 6, 7, 8, 29, 30, 65, 72, 74, 94, 95, 96 and 97. * Items marked with an * are wearing parts ** Do not grease items 7, 8 and 94 2) If an actuator is ordered as a spare part, the adapter (A*) must also be ordered and mounted.					

Valve disk multiple piece					
Designation	Material	1"/1.5" OD	1"/2" OD	1.5"/2" OD	
Valve disc R-SG	1.4404/316L	--	--	221-765.06	
Valve rod R-SG	1.4404/316L	--	--	221-006737	
Balancer R-SG	1.4404/316L	--	--	221-006743	
Leakage drain R-SG	1.4404/316L	--	--	221-006681	
V-ring	FFKM	--	221-365.30	221-365.31	
O-ring leak_c	FFKM	--	--	930-579	
O-ring rod	FFKM	--	930-959	930-288	
O-ring OT/UT	FFKM	--	930-974	930-579	
Cap nut	Al-6XN	--	221-006700	--	

Designation	Material	1"/1.5" OD	1"/2" OD	1.5"/2" OD	
Valve disc R-SG	Al-6XN	--	221-765.16	221-765.14	
Valve rod R-SG	Al-6XN	--	221-006790	221-006784	
Balancer R-SG	Al-6XN	--	221-006787	221-006785	
Leakage drain R-SG	Al-6XN	--	--	221-006782	
V-ring	FFKM	--	221-365.30	221-365.31	
O-ring leak_c	FFKM	--	--	930-579	
O-ring rod	FFKM	--	930-959	930-288	
O-ring OT/UT	FFKM	--	930-974	930-579	
Cap nut	Al-6XN	--	221-006700	--	

Item	Designation	Material	2"/1.5" OD	2"/3" OD	2.5"/1.5" OD
Seal set		FFKM	221-528.101	221-528.101	221-528.101
1*	Seal ring	FFKM	924-341	924-341	924-341
2	Bearing	PTFE/carbon	935-002	935-002	935-002
	Bearing, 3A	PEEK	935-099	935-099	935-099
	Bearing DN25/28-40	PTFE/carbon	--	--	--
3	Seal disk	1.4404/316L	221-141.36	221-141.36	221-141.36
	Sealing washer FFKM	Al-6XN	221-141.48	221-141.48	221-141.48
4	Bearing disc	1.4301	221-142.05	221-142.05	221-142.05
5*	O-ring	FFKM	930-875	930-875	930-875
6*	O-ring	NBR	930-004	930-004	930-004
**7*	V-ring	FFKM	932-114	932-114	932-114
**8*	V-ring	FFKM	932-113	932-113	932-113
9	Lantern	1.4301	221-236.18	221-236.08	221-236.15
15	Valve disc R-SG/C	1.4404/316L	221-765.08	--	221-765.09
		Al-6XN	221-765.15	--	221-765.19

**Spare parts list - mixproof valve R-SG/C\_C with lift actuator\_LR**

Item	Designation	Material	2"/1.5" OD	2"/3" OD	2.5"/1.5" OD
16	Double-disk D.L	1.4404/316L	221-238.46	221-238.46	221-238.68
		Al-6XN	221-238.62	221-238.62	221-238.74
29*	O-ring	NBR	930-026	930-026	930-026
30*	O-ring	NBR	930-026	930-026	930-026
34	Seat ring R	1.4404/316L	221-402.09	221-402.09	221-402.09
		Al-6XN	221-402.14	221-402.14	221-402.14
36	Locking ring	1.4301	--	--	--
43	Clamp join KL	1.4401	221-507.04	221-507.04	221-507.04
46	Clamp join KL	1.4401	221-507.06	221-507.06	221-507.06
65*	Seal ring	FFKM	924-348	924-348	924-348
66	Guide ring	Turcite	935-056	935-056	935-056
	Guide ring 3A	MF6	935-117	935-117	935-117
72*	O-ring	FFKM	930-054	930-054	930-054
74*	Snap seal	PVDF	221-000522	221-000522	221-000522
92	Balancer fastener	1.4404/316L	221-348.08	221-348.08	221-348.08
		Al-6XN	221-348.09	221-348.09	221-348.09
**94*	V-ring RA	FFKM	221-365.31	221-365.31	221-365.31
95*	O-ring	FFKM	930-579	930-579	930-579
96*	O-ring	FFKM	930-288	930-288	930-288
97*	O-ring	FFKM	930-579	930-579	930-579
145	Leak indicator	1.4301	221-237.43	221-237.43	221-237.43
401	Housing V1	1.4404/316L	221-101.63	221-101.64	221-101.63
		Al-6XN	221-101.92	221-101.87	221-101.92
402	Housing V2	1.4404/316L	221-102.99	221-102.38	221-102.37
		Al-6XN	221-902.24	221-902.20	221-902.152
A 2)	Actuator	See spare parts list/dimension sheet for actuator VARIVENT			
A*	Adapter LFT-R	EN AW-6082 T6	221-614.01	221-614.01	221-614.01
L	Lift actuator_LR	see spare parts list for the lift actuator_LR			
Grease RIVOLTA F.L.G. 100g tube not included with seal set.				413-136	
1) Seal set includes items 1, 5, 6, 7, 8, 29, 30, 65, 72, 74, 94, 95, 96 and 97. * Items marked with an * are wearing parts ** Do not grease items 7, 8 and 94 2) If an actuator is ordered as a spare part, the adapter (A*) must also be ordered and mounted.					

<b>Valve disk multiple piece</b>					
Designation	Material	2"/1.5" OD	2"/3" OD	2.5"/1.5" OD	
Valve disc R-SG	1.4404/316L	221-765.08	--	221-765.09	
Valve rod R-SG	1.4404/316L	221-006739	--	221-006740	
Balancer R-SG	1.4404/316L	221-006743	--	221-006743	
Leakage drain R-SG	1.4404/316L	221-006681	--	221-006681	
V-ring	FFKM	221-365.31	--	221-365.31	
O-ring leak_c	FFKM	930-579	--	930-579	
O-ring rod	FFKM	930-288	--	930-288	

Spare parts list - mixproof valve R-SG/C\_C with lift actuator\_LR

Valve disk multiple piece				
Designation	Material	2"/1.5" OD	2"/3" OD	2.5"/1.5" OD
O-ring OT/UT	FFKM	930-579	--	930-579
Cap nut	Al-6XN	--	--	--

Designation	Material	2"/1.5" OD	2"/3" OD	2.5"/1.5" OD
Valve disc R-SG	Al-6XN	221-765.15	--	221-765.19
Valve rod R-SG	Al-6XN	221-006786	--	221-006800
Balancer R-SG	Al-6XN	221-006785	--	221-006785
Leakage drain R-SG	Al-6XN	221-006782	--	221-006782
V-ring	FFKM	221-365.31	--	221-365.31
O-ring leak_c	FFKM	930-579	--	930-579
O-ring rod	FFKM	930-288	--	930-288
O-ring OT/UT	FFKM	930-579	--	930-579
Cap nut	Al-6XN	--	--	--

Item	Designation	Material	3"/1.5" OD	2.5"/2" OD	3"/2" OD
Seal set		FFKM	221-528.101	221-528.101	221-528.101
1*	Seal ring	FFKM	924-341	924-341	924-341
2	Bearing	PTFE/carbon	935-002	935-002	935-002
	Bearing, 3A	PEEK	935-099	935-099	935-099
	Bearing DN25/28-40	PTFE/carbon	--	--	--
3	Seal disk	1.4404/316L	221-141.36	221-141.36	221-141.36
	Sealing washer FFKM	Al-6XN	221-141.48	221-141.48	221-141.48
4	Bearing disc	1.4301	221-142.05	221-142.05	221-142.05
5*	O-ring	FFKM	930-875	930-875	930-875
6*	O-ring	NBR	930-004	930-004	930-004
**7*	V-ring	FFKM	932-114	932-114	932-114
**8*	V-ring	FFKM	932-113	932-113	932-113
9	Lantern	1.4301	221-236.16	221-236.15	221-236.16
15	Valve disc R-SG/C	1.4404/316L	--	221-765.10	--
		Al-6XN	--	221-765.20	221-765.21
16	Double-disk D.L	1.4404/316L	221-238.67	221-238.68	221-238.67
		Al-6XN	221-238.73	221-238.74	221-238.73
29*	O-ring	NBR	930-026	930-026	930-026
30*	O-ring	NBR	930-026	930-026	930-026
34	Seat ring R	1.4404/316L	221-402.09	221-402.09	221-402.09
		Al-6XN	221-402.14	221-402.14	221-402.14
36	Locking ring	1.4301	--	--	--
43	Clamp join KL	1.4401	221-507.04	221-507.04	221-507.04
46	Clamp join KL	1.4401	221-507.06	221-507.06	221-507.06
65*	Seal ring	FFKM	924-348	924-348	924-348
66	Guide ring	Turcite	935-056	935-056	935-056
	Guide ring 3A	MF6	935-117	935-117	935-117
72*	O-ring	FFKM	930-054	930-054	930-054

**Spare parts list - mixproof valve R-SG/C\_C with lift actuator\_LR**

Item	Designation	Material	3"/1.5" OD	2.5"/2" OD	3"/2" OD
74*	Snap seal	PVDF	221-000522	221-000522	221-000522
92	Balancer fastener	1.4404/316L	221-348.08	221-348.08	221-348.08
		Al-6XN	221-348.09	221-348.09	221-348.09
**94*	V-ring RA	FFKM	221-365.31	221-365.31	221-365.31
95*	O-ring	FFKM	930-579	930-579	930-579
96*	O-ring	FFKM	930-288	930-288	930-288
97*	O-ring	FFKM	930-579	930-579	930-579
145	Leak indicator	1.4301	221-237.43	221-237.43	221-237.43
401	Housing V1	1.4404/316L	221-101.63	--	--
		Al-6XN	221-101.92	--	--
402	Housing V2	1.4404/316L	221-102.38	221-102.37	221-102.38
		Al-6XN	221-902.20	221-102.152	221-902.20
A <sup>2)</sup>	Actuator	See spare parts list/dimension sheet for actuator VARIVENT			
A*	Adapter LFT-R	EN AW-6082 T6	221-614.01	221-614.01	221-614.01
L	Lift actuator_LR	see spare parts list for the lift actuator_LR			
Grease RIVOLTA F.L.G. 100g tube not included with seal set.				413-136	
1) Seal set includes items 1, 5, 6, 7, 8, 29, 30, 65, 72, 74, 94, 95, 96 and 97. * Items marked with an * are wearing parts ** Do not grease items 7, 8 and 94 2) If an actuator is ordered as a spare part, the adapter (A*) must also be ordered and mounted.					

**Valve disk multiple piece**

Designation	Material	3"/1.5" OD	2.5"/2" OD	3"/2" OD
Valve disc R-SG	1.4404/316L	--	221-765.10	--
Valve rod R-SG	1.4404/316L	--	221-006741	--
Balancer R-SG	1.4404/316L	--	221-006662	221-006662
Leakage drain R-SG	1.4404/316L	--	221-006681	221-006681
V-ring	FFKM	--	221-365.31	221-365.31
O-ring leak_c	FFKM	--	930-579	930-579
O-ring rod	FFKM	--	930-288	930-288
O-ring OT/UT	FFKM	--	930-579	930-579
Cap nut	Al-6XN	--	--	--

Designation	Material	3"/1.5" OD	2.5"/2" OD	3"/2" OD
Valve disc R-SG	Al-6XN	--	221-765.20	221-765.21
Valve rod R-SG	Al-6XN	--	221-006801	221-006803
Balancer R-SG	Al-6XN	--	221-006778	221-006778
Leakage drain R-SG	Al-6XN	--	221-006782	221-006782
V-ring	FFKM	--	221-365.31	221-365.31
O-ring leak_c	FFKM	--	930-579	930-579
O-ring rod	FFKM	--	930-288	930-288
O-ring OT/UT	FFKM	--	930-579	930-579
Cap nut	Al-6XN	--	--	--

Spare parts list - mixproof valve R-SG/C\_C with lift actuator\_LR

Item	Designation	Material	2.5"/3" OD	3"/2.5" OD	4"/2.5" OD
Seal set		FFKM	221-528.102	221-528.102	221-528.102
1*	Seal ring	FFKM	924-341	924-341	924-341
2	Bearing	PTFE/carbon	935-002	935-002	935-002
	Bearing, 3A	PEEK	935-099	935-099	935-099
	Bearing DN25/28-40	PTFE/carbon	--	--	--
3	Seal disk	1.4404/316L	221-141.47	221-141.47	221-141.47
	Sealing washer FFKM	Al-6XN	221-141.37	221-141.37	221-141.37
4	Bearing disc	1.4301	221-142.03	221-142.03	221-142.03
5*	O-ring	FFKM	930-876	930-876	930-876
6*	O-ring	NBR	930-004	930-004	930-004
**7*	V-ring	FFKM	932-116	932-116	932-116
**8*	V-ring	FFKM	932-115	932-115	932-115
9	Lantern	1.4301	221-236.09	221-236.24	221-236.25
15	Valve disc R-SG/C	1.4404/316L	--	--	--
		Al-6XN	--	--	221-765.23
16	Double-disk D.L	1.4404/316L	221-238.48	221-238.47	--
		Al-6XN	221-238.75	221-238.50	221-238.70
29*	O-ring	NBR	930-026	930-026	930-026
30*	O-ring	NBR	930-026	930-026	930-026
34	Seat ring R	1.4404/316L	221-402.10	221-402.10	221-402.10
		Al-6XN	221-402.18	221-402.18	221-402.18
36	Locking ring	1.4301	--	--	--
43	Clamp join KL	1.4401	221-507.09	221-507.09	221-507.09
46	Clamp join KL	1.4401	221-507.06	221-507.06	221-507.06
65*	Seal ring	FFKM	221-367.17	221-367.17	221-367.17
66	Guide ring	Turcite	935-078	935-078	935-078
	Guide ring 3A	MF6	935-120	935-120	935-120
72*	O-ring	FFKM	930-055	930-055	930-055
74*	Snap seal	PVDF	221-000523	221-000523	221-000523
92	Balancer fastener	1.4404/316L	--	--	--
		Al-6XN	--	--	--
**94*	V-ring RA	FFKM	221-365.33	221-365.33	221-365.33
95*	O-ring	FFKM	930-879	930-879	930-879
96*	O-ring	FFKM	930-287	930-287	930-287
97*	O-ring	FFKM	930-288	930-288	930-288
145	Leak indicator	1.4301	221-237.43	221-237.43	221-237.43
401	Housing V1	1.4404/316L	221-101.82	221-101.65	--
		Al-6XN	221-101.76	221-101.71	--
402	Housing V2	1.4404/316L	221-902.12	221-902.20	221-902.30
		Al-6XN	221-902.37	221-102.09	221-902.151
A <sup>2)</sup>	Actuator	See spare parts list/dimension sheet for actuator VARIVENT			
A*	Adapter LFT-R	EN AW-6082 T6	221-614.01	221-614.01	221-614.01
L	Lift actuator_LR	see spare parts list for the lift actuator_LR			

**Spare parts list - mixproof valve R-SG/C\_C with lift actuator\_LR**

Item	Designation	Material	2.5"/3" OD	3"/2.5" OD	4"/2.5" OD
Grease RIVOLTA F.L.G. 100g tube not included with seal set.				413-136	
1) Seal set includes items 1, 5, 6, 7, 8, 29, 30, 65, 72, 74, 94, 95, 96 and 97. * Items marked with an * are wearing parts ** Do not grease items 7, 8 and 94 2) If an actuator is ordered as a spare part, the adapter (A*) must also be ordered and mounted.					

<b>Valve disk multiple piece</b>				
Designation	Material	2.5"/3" OD	3"/2.5" OD	4"/2.5" OD
Valve disc R-SG	1.4404/316L	--	--	--
Valve rod R-SG	1.4404/316L	--	--	--
Balancer R-SG	1.4404/316L	--	--	--
Leakage drain R-SG	1.4404/316L	--	--	--
V-ring	FFKM	--	--	221-365.33
O-ring leak_c	FFKM	--	--	930-287
O-ring rod	FFKM	--	--	930-288
O-ring OT/UT	FFKM	--	--	930-879
Cap nut	Al-6XN	--	--	--

Designation	Material	2.5"/3" OD	3"/2.5" OD	4"/2.5" OD
Valve disc R-SG	Al-6XN	--	--	221-765.23
Valve rod R-SG	Al-6XN	--	--	221-006807
Balancer R-SG	Al-6XN	--	--	221-006791
Leakage drain R-SG	Al-6XN	--	--	221-006797
V-ring	FFKM	--	--	221-365.33
O-ring leak_c	FFKM	--	--	930-287
O-ring rod	FFKM	--	--	930-288
O-ring OT/UT	FFKM	--	--	930-879
Cap nut	Al-6XN	--	--	--

