

3 GEA hygienic butterfly valves | Manual actuator 224ELI009814

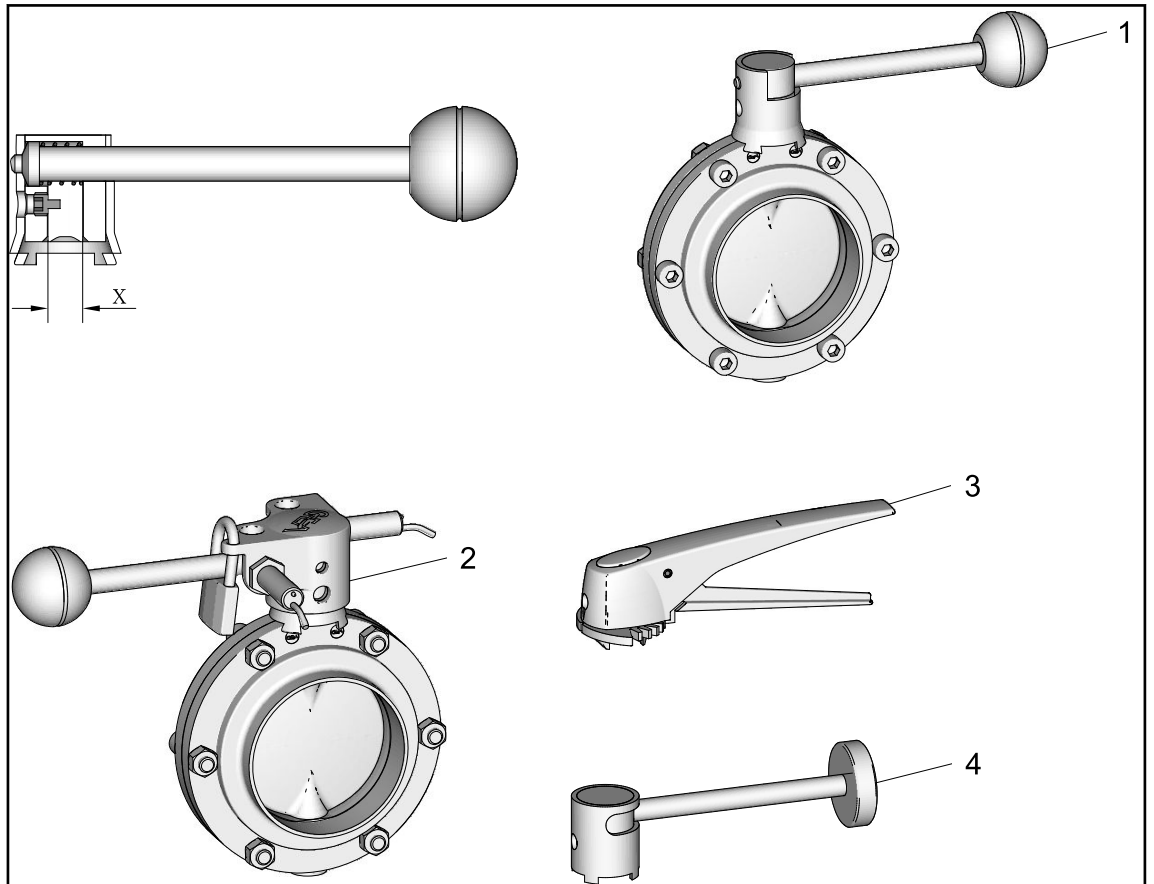


Figure 3-1 - Manual actuator for BFV

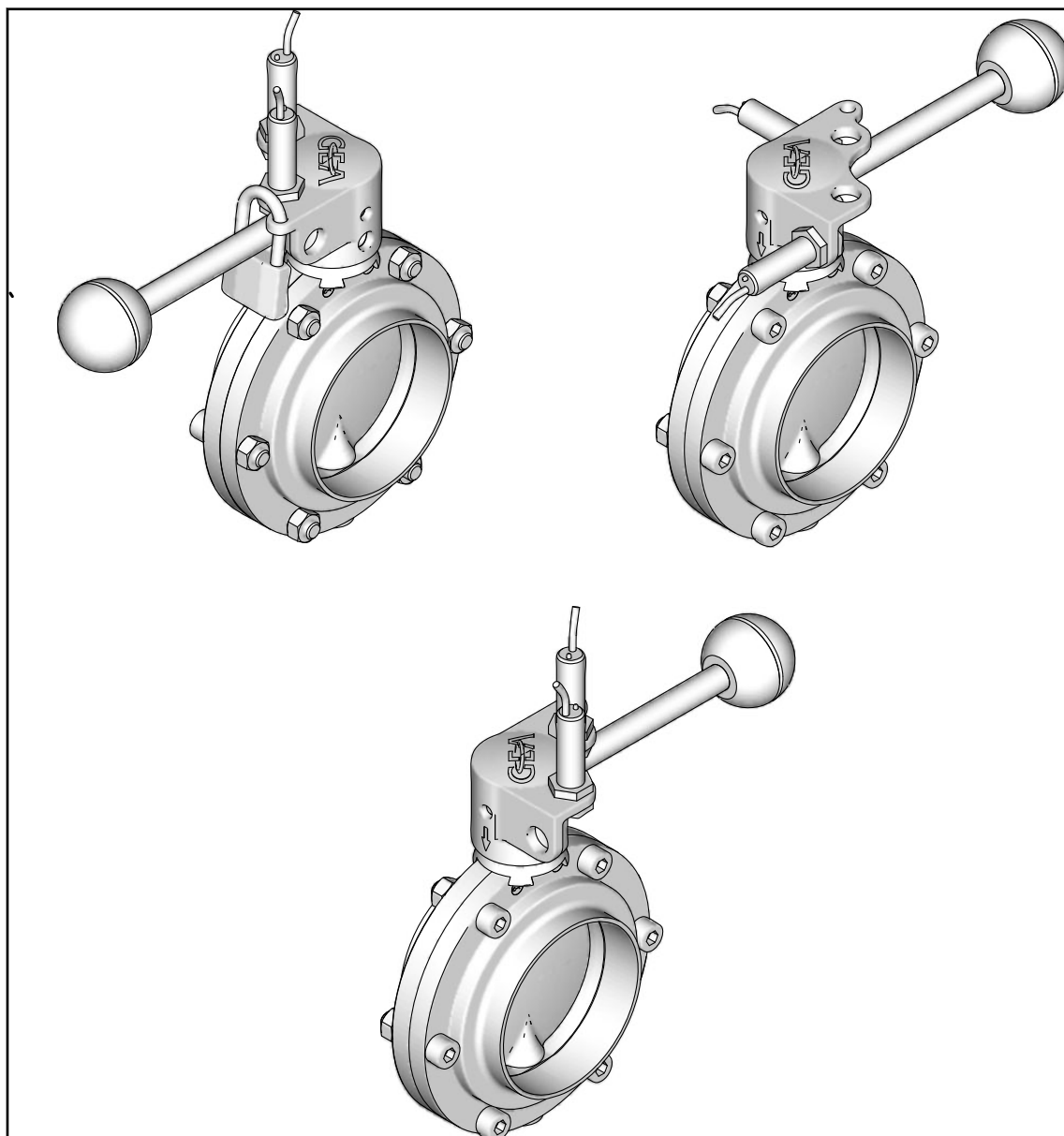


Figure 3-2 - Installation variants for proximity switches

Spare parts list - Manual actuator for butterfly valve [DN]

Item	Designation	DN 15 - DN 65	DN 80 + DN 100	DN 125 + DN 150
X	Square	10 mm	12 mm	14 mm
1	Manual actuator	224-001054	224-001055	224-001056
2	Proximity switch holder	224-001057	224-001058	224-001058
3	Scissors-handle actuator complete	224-000544	224-000545	--
4	Manual stepless actuator complete	224-000235	224-000236	224-000237

Table 1: Spare parts list - Manual actuator butterfly valve (DN 15 - DN 150)

Spare parts list - Manual actuator for butterfly valve [OD]

Item	Designation	0.5" OD - 2.5" OD	3" OD + 4" OD
X	Square	10 mm	12 mm
1	Manual actuator	224-001054	224-001055
2	Proximity switch holder	224-001057	224-001058
3	Scissors-handle actuator complete	224-000544	224-000545
4	Manual stepless actuator complete	224-000235	224-000236

Table 2: Spare parts list - Manual actuator butterfly valve (DN 0.5 - DN 4")

GEA Tuchenhagen GmbH
Am Industriepark 2-10
21514 Büchen , Germany

Phone +49 4155 49-0

224ELI009814 Copyright © GEA Tuchenhagen - All rights reserved - Subject to modifications.