

3 GEA hygienic butterfly valves | Pneumatic Actuator 224ELI009818

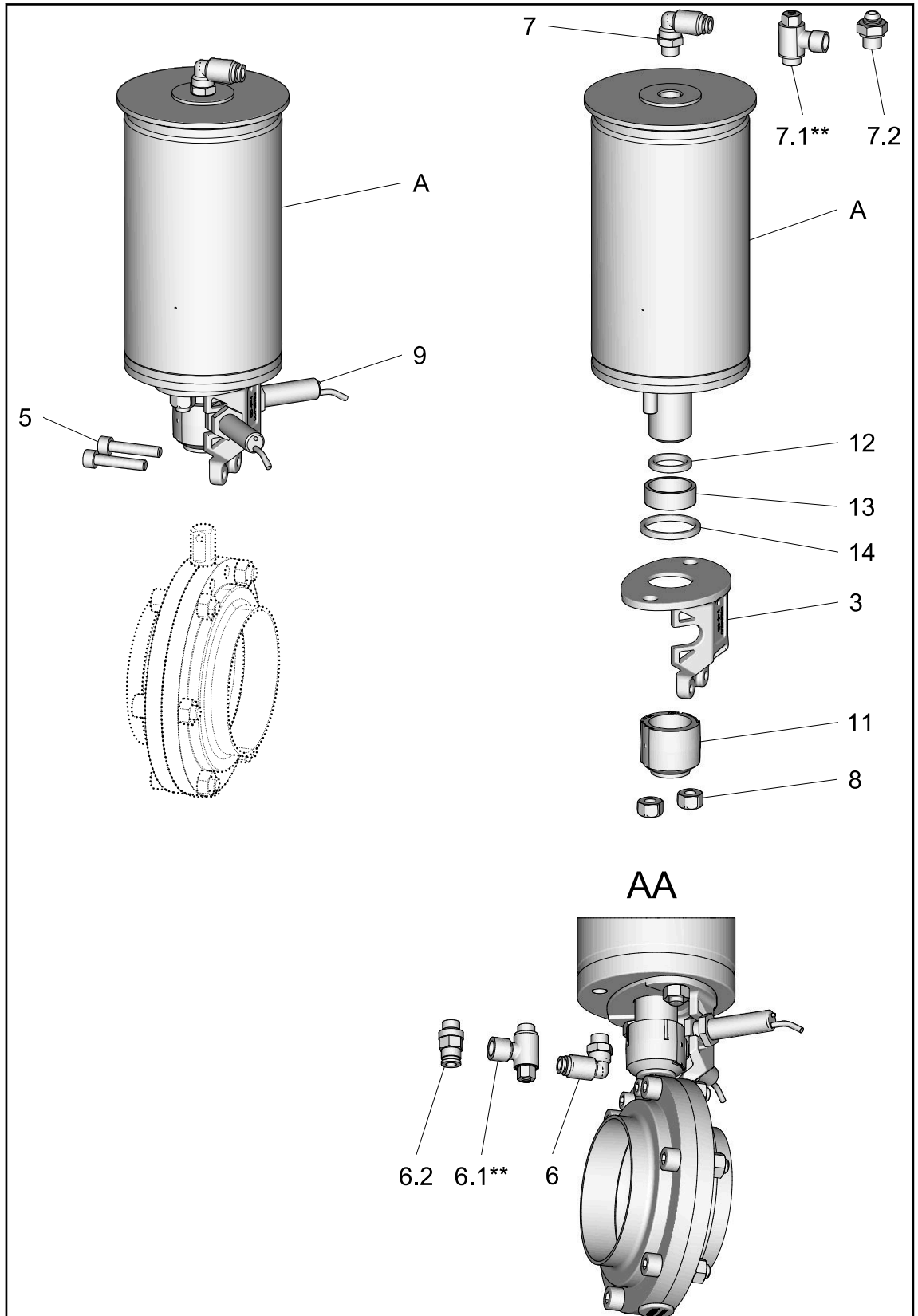


Figure 3-1 - Pneumatic actuator BFV

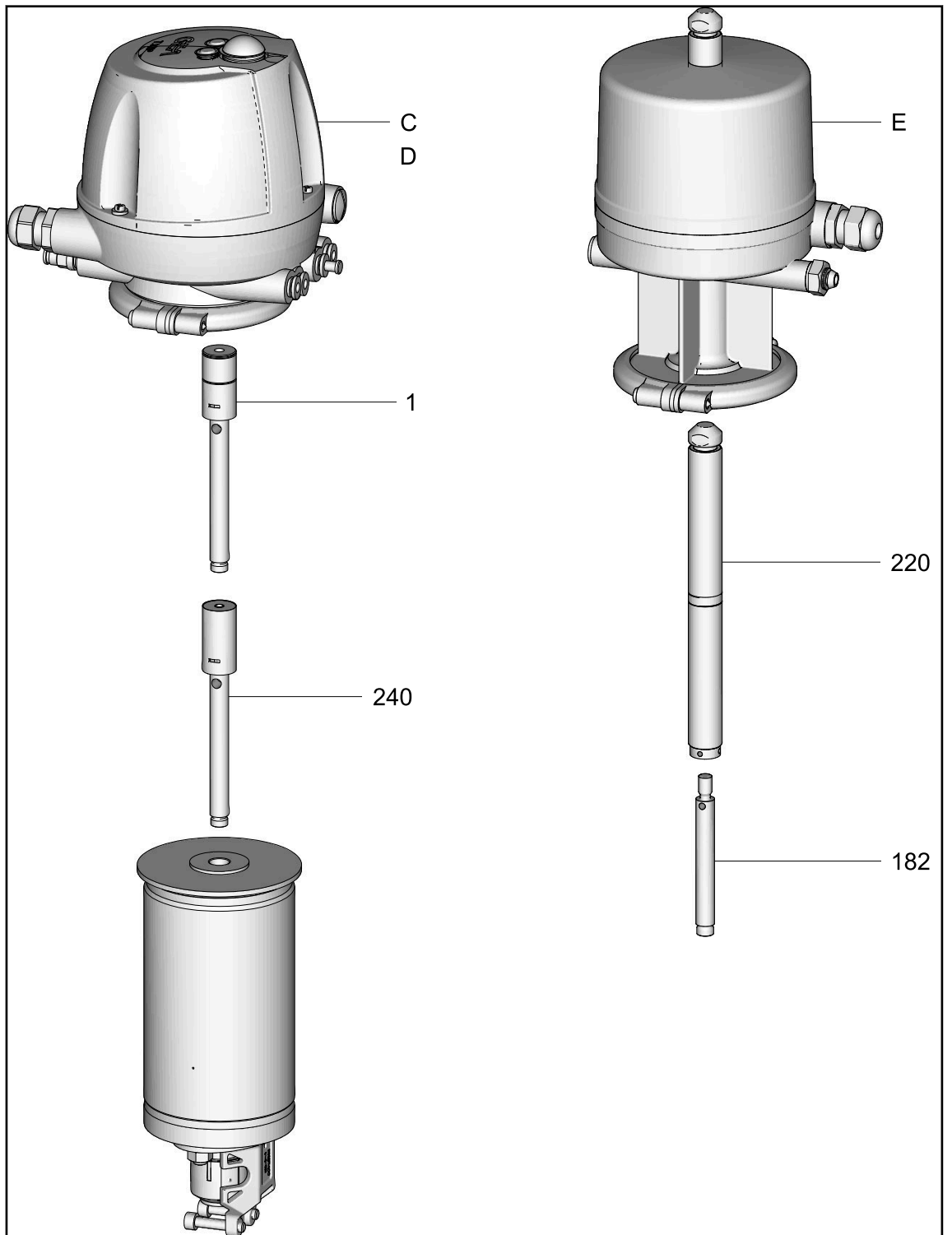


Figure 3-2 - Switch bar variants

Spare parts list - Pneumatic actuator for butterfly valves [DN]

Item	Designation	Material	DN 15 - DN 65	DN 80	DN 100	DN 125	DN 150
A	Actuator BFV-7/NC/NO/ cpl.	--	224-001816	224-001818	224-001823	224-001821	224-001821
A (opt.)	Actuator BFV-7/AA/ cpl.(air/air)	--	224-001817	224-001819	224-001819	224-001820	224-001820
	Actuator BFV-7/NC/NO/ cpl./EX	--	224-001824	224-001826	224-001830	224-001829	224-001829
	Actuator BFV-7/AA/ cpl.(air/air)/EX	--	224-001825	224-001827	224-001827	224-001828	224-001828
3	Bracket BFV-7	1.4301	224-001042	224-001042	224-001042	224-001071	224-001071
5*	Cheese head screw	A2-70	902-099	902-099	902-099	902-099	902-099
6	Elbow screw-in plug connection, metric (1/8" - 6/4)	Brass nickel-plated	933-475	933-475	933-475	933-475	933-475
	Elbow screw-in plug connection, imperial (1/8"-6.35)	Brass nickel-plated	933-979	933-979	933-979	933-979	933-979
6.1**	Throttle check valve 1/8"	Brass nickel-plated	603-042	603-042	603-042	603-042	603-042
6.2	Screw-in plug connection metric (1/8" - 6/4)	Brass	933-176	933-176	933-176	933-176	933-176
	Screw-in plug connection inch (1/8 " - 6,35)	Brass	933-173	933-173	933-173	933-173	933-173
7	Elbow screw-in plug connection, metric (1/4" - 6/4)	Brass nickel-plated	933-034	933-034	933-034	933-034	933-034

Item	Designation	Material	DN 15 - DN 65	DN 80	DN 100	DN 125	DN 150
	Elbow screw-in plug connection, imperial (1/4"-6.35)	Brass nickel-plated	933-972	933-972	933-972	933-972	933-972
7.1**	Throttle check valve 1/4"	Brass nickel-plated	603-048	603-048	603-048	603-048	603-048
7.2	Screw-in plug connection metric (1/4" - 6/4)	Brass	933-480	933-480	933-480	933-480	933-480
	Screw-in plug connection inch (1/4" - 6,35)	Brass nickel-plated	933-477	933-477	933-477	933-477	933-477
8	Hexagon nut	A2-70	910-018	910-018	910-018	910-018	910-018
9	Initiator M12x1; 10-65V/DC/ 2wire	Synthetic material	505-104 (electrical connection with terminal compartment)				
	Initiator M12x1; 10-30V/DC/ 3wire	1.4301	505-088 (electrical connection with terminal compartment) 505-096 (electrical connection with connector M12)				
11	Position indicator BFV-7	PP	224-001068	224-001069	224-001069	224-001070	224-001070
12	O-ring	NBR	930-024	930-024	930-024	930-024	930-024
13	Plain bearing form S	IGLIDUR-F	704-074	704-074	704-074	704-074	704-074
14	O-ring	NBR	930-041	930-041	930-041	930-041	930-041

* Two cylinder screws (pos. 5) are included in each actuator A.

** For the air choke, Pos. 6.1 and 7.1, an additional plug-in connection must be ordered.

A includes positions A, 3, 8, 11, 12, 13 and 14.

Table 1: Spare parts list - Pneumatic actuator for butterfly valve (DN 15 - DN 150)

Spare parts list - Pneumatic actuator for butterfly valve 3 [ODN]

Item	Designation	Material	0.5" OD - 2.5" OD	3" OD	4" OD
A	Actuator BFV-7/NC/NO/ cpl.	--	224-001816	224-001818	224-001823
A (opt.)	Actuator BFV-7/AA/ cpl.(air/air)	--	224-001817	224-001819	224-001819
	Actuator BFV-7/NC/NO/cpl./EX	--	224-001824	224-001826	224-001830
	Actuator BFV-7/AA/ cpl.(air/air)/EX	--	224-001825	224-001827	224-001827
3	Bracket BFV-7	1.4301	224-001042	224-001042	224-001042
5*	Cheese head screw	A2-70	902-099	902-099	902-099
6	Elbow screw-in plug connection, metric (1/8" - 6/4)	Brass nickel-plated	933-475	933-475	933-475
	Elbow screw-in plug connection, imperial (1/8"-6.35)	Brass nickel-plated	933-979	933-979	933-979
6.1**	Throttle check valve 1/8"	Brass nickel-plated	603-042	603-042	603-042
6.2	Screw-in plug connection metric (1/8" - 6/4)	Brass	933-176	933-176	933-176
	Screw-in plug connection inch (1/8 " - 6,35)	Brass	933-173	933-173	933-173
7	Elbow screw-in plug connection, metric (1/4" - 6/4)	Brass nickel-plated	933-034	933-034	933-034
	Elbow screw-in plug connection, imperial (1/4"-6.35)	Brass nickel-plated	933-972	933-972	933-972
7.1**	Throttle check valve 1/4"	Brass nickel-plated	603-048	603-048	603-048
7.2	Screw-in plug connection metric (1/4" - 6/4)	Brass	933-480	933-480	933-480

Item	Designation	Material	0.5" OD - 2.5" OD	3" OD	4" OD
	Screw-in plug connection inch (1/4 "- 6,35)	Brass nickel-plated	933-477	933-477	933-477
8	Hexagon nut	A2-70	910-018	910-018	910-018
9	Initiator M12x1; 10-65V/DC/2wire	Synthetic material	505-104 (electrical connection with terminal compartment)		
	Initiator M12x1; 10-30V/DC/3wire	1.4301	505-088 (electrical connection with terminal compartment) 505-096 (electrical connection with connector M12)		
11	Position indicator BFV-7	PP	224-001068	224-001069	224-001069
12	O-ring	NBR	930-024	930-024	930-024
13	Plain bearing form S	IGLIDUR-F	704-074	704-074	704-074
14	O-ring	NBR	930-041	930-041	930-041

* Two cylinder screws (pos. 5) are included in each actuator A.

** For the air choke, Pos. 6.1 and 7.1, an additional plug-in connection must be ordered.

A includes positions A, 3, 8, 11, 12, 13 and 14.

Table 2: Spare parts list - Pneumatic actuator for butterfly valve (OD 0.5" - OD 4")

Accessory control tops - Pneumatic actuator for butterfly valve

Item	Designation	Material	Material no.
Accessory for control top T.VIS M-15 (D)			
1	Switch bar T.VIS	1.4301	224-001697
Accessory for control top T.VIS P-15, A-15 and M-20 (C)			
240	Switch bar for T.VIS P-15, A-15 and M-20	--	224-001696
Accessory for control top SES/EX (E)			
220	Switch bar	--	224-001548
182	Extension	--	224-001549

Table 3: Accessory control tops - Pneumatic actuator for butterfly valve

GEA Tuchenhagen GmbH
Am Industriepark 2-10
21514 Büchen , Germany

Phone +49 4155 49-0

224ELI009818 Copyright © GEA Tuchenhagen - All rights reserved - Subject to modifications.