

3 GEA hygienic butterfly valves (two-part flange variant)

224ELI009792

Type 711, 721, 722, 724, 714, 731, 733, 751

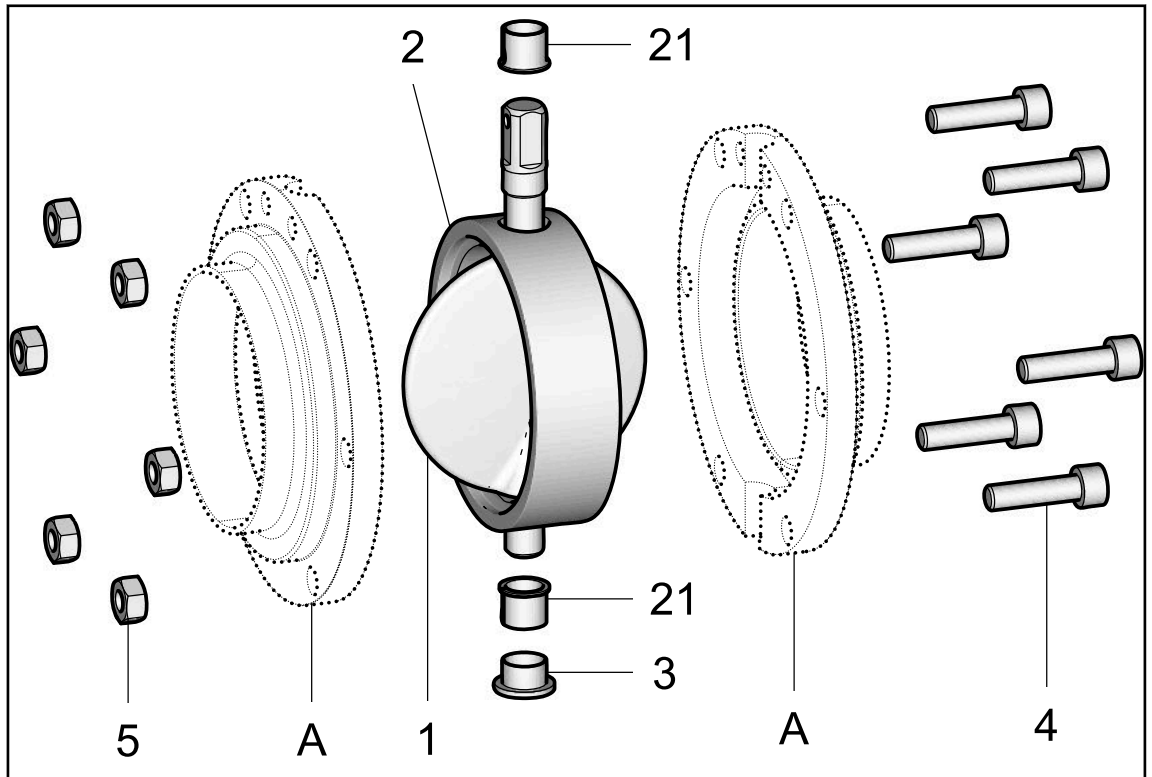


Figure 3-1 - Spare parts list - butterfly valve 711, 721, 722, 724, 714, 731, 733, 751

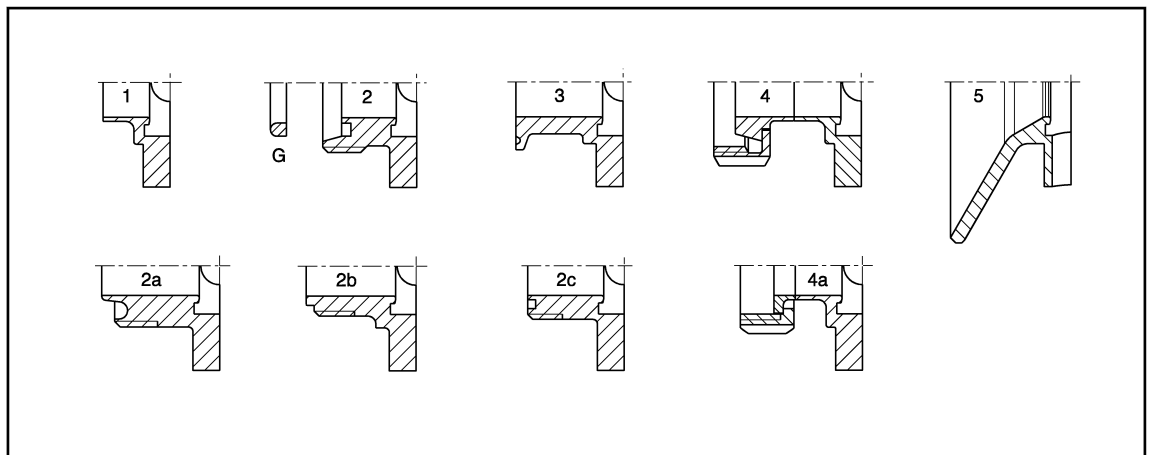


Figure 3-2 - Two-piece flange versions

Spare parts list - Butterfly valve case (two-piece flange versions) [DN]

Pos.	Designation	Material	DN 15	DN 20	DN 25	DN 40	DN 50	DN 65	DN 80	DN 100	DN 125	DN 150
Seal set SS complete		EPDM	224-00133 2	224-00133 2	224-00130 0	224-00130 4	224-00130 8	224-00131 2	224-00131 6	224-00132 0	224-00132 4	224-00132 8
		FKM	224-00133 3	224-00133 3	224-00130 1	224-00130 5	224-00130 9	224-00131 3	224-00131 7	224-00132 1	224-00132 5	224-00132 9
		HNBR	224-00133 4	224-00133 4	224-00130 2	224-00130 6	224-00131 0	224-00131 4	224-00131 8	224-00132 2	224-00132 6	224-00133 0
		VMQ	224-00133 5	224-00133 5	224-00130 3	224-00130 7	224-00131 1	224-00131 5	224-00131 9	224-00132 3	224-00132 7	224-00133 1

The seal set contains items 2 and 21.

Complete valve bodies can be ordered using the order code.
In this case, the actuator type "9 = without actuator" must be selected, e.g. 7111-1002-0900-0000.

1	Flap	304	224-00100 7	224-00100 7	224-00099 9	224-00100 0	224-00100 1	224-00100 2	224-00100 3	224-00100 4	224-00100 5	224-00100 6
		316L	224-00081 0	224-00081 0	224-00080 2	224-00080 3	224-00080 4	224-00080 5	224-00080 6	224-00080 7	224-00080 8	224-00080 9
2	Seal	EPDM	224-170.6 1	224-170.6 1	224-170.6 7	224-170.6 8	224-170.6 9	224-170.7 0	224-170.7 1	224-170.7 2	224-170.7 3	224-170.7 4
		FKM	224-170.7 5	224-170.7 5	224-170.8 1	224-170.8 2	224-170.8 3	224-170.8 4	224-170.8 5	224-170.8 6	224-170.8 7	224-170.8 8
		HNBR	224-170.8 9	224-170.8 9	224-170.9 5	224-170.9 6	224-170.9 7	224-170.9 8	224-170.9 9	224-173.0 2	224-173.0 3	224-173.0 4
		VMQ	224-173.0 5	224-173.0 5	224-173.11	224-173.12	224-173.1 3	224-173.1 4	224-173.1 5	224-173.1 6	224-173.1 7	224-173.1 8

Pos.	Designation	Material	DN 15	DN 20	DN 25	DN 40	DN 50	DN 65	DN 80	DN 100	DN 125	DN 150
3	Round plug	PE	922-338	922-338	922-338	922-338	922-338	922-338	922-338	922-338	922-338	922-339
4	Cheese head screw	A2-70	4x 902-099	4x 902-099	4x 902-099	4x 902-099	4x 902-100	6x 902-100	6x 902-100	6x 902-100	6x 902-119	8x 902-088
			M6 x 30	M6 x 30	M6 x 30	M6 x 30	M8 x 30	M8 x 30	M8 x 30	M8 x 30	M8 x 30	M10 x 40
5	Hexagon nut	A2	4x 910-013	4x 910-013	4x 910-013	4x 910-013	4x 910-018	6x 910-018	6x 910-018	6x 910-018	6x 910-026	8x 910-029
			M6	M6	M6	M6	M8	M8	M8	M8	M8	M10
21	Plain bearing	IGLIDUR F	704-045	704-045	704-045	704-045	704-045	704-045	704-045	704-045	704-046	704-046
A	Flange	See Overview of flanges.										
	Grease RIVOLTA F.L.G. MD-2 100g tube not included in the seal set.		413-136									
	Grease BARRIERTA L 55/3 (only for seals VMQ)		413-137									

Table 1: Spare parts list - butterfly valve 711, 721, 722, 724, 714, 731, 733, 751 (DN 15 - DN 150)

Overview flange [DN]

Pos.	Designation	Material	DN 15	DN 20	DN 25	DN 40	DN 50	DN 65	DN 80	DN 100	DN 125	DN 150
1	Welding flange	304	224-00089 9	224-00090 0	224-00090 1	224-00090 2	224-00090 3	224-00090 4	224-00090 5	224-00090 6	224-00090 7	224-00090 8
		316L	224-00070 5	224-00070 6	224-00070 7	224-00070 8	224-00070 9	224-00071 0	224-00071 1	224-00071 2	224-00071 3	224-00071 4
2	Threaded flange DIN	304	--	--	224-00094 5	224-00094 6	224-00094 7	224-00094 8	224-00094 9	224-00095 0	224-00095 1	224-00095 2
		316L	--	--	224-00072 1	224-00072 2	224-00072 3	224-00072 4	224-00072 5	224-00072 6	224-00072 7	224-00072 8
3	Clamping flange	304	--	--	224-00093 3	224-00093 4	224-00093 5	224-00093 6	224-00093 7	224-00093 8	--	--
		316L	--	--	224-00073 5	224-00073 6	224-00073 7	224-00073 8	224-00073 9	224-00074 0	--	--
4	Conical flange DIN	304	--	--	on request	on request	on request	on request	on request	on request	on request	on request
		316L	--	--	on request	on request	on request	on request	on request	on request	on request	on request
5	Tank flange	316L	--	--	224-00169 0	224-00169 1	224-00169 2	224-00169 3	224-00169 4	224-00169 5	--	--

Table 2: Overview flange butterfly valve 711, 721, 722, 724, 714, 731, 733, 751 (DN 15 - DN 150)

Seal ring G for threaded flange DIN [DN]

Pos.	Designation	Material	DN 25	DN 40	DN 50	DN 65	DN 80	DN 100	DN 125	DN 150
G	Seal ring G for threaded flange DIN	EPDM	928-338	928-340	928-341	928-342	928-343	928-344	928-349	928-368
		FKM	928-324	928-325	928-326	928-327	928-328	928-329	928-350	928-376
		HNBR	928-758	928-759	928-760	928-761	928-762	928-763	928-764	928-765
		VMQ	928-796	928-797	928-798	928-799	928-800	928-801	928-802	928-803

Table 3: Seal ring G for threaded flange DIN (DN 25 - DN 150)

Spare parts list - Butterfly valve case (two-piece flange versions) [OD]

Pos.	Designation	Material	0.5" OD	0.75" OD	1" OD	1.5" OD	2" OD	2.5" OD	3" OD	4" OD
Seal set SS complete	EPDM		224-001332	224-001332	224-001332	224-001336	224-001340	224-001344	224-001348	224-001352
	FKM		224-001333	224-001333	224-001333	224-001337	224-001341	224-001345	224-001349	224-001353
	HNBR		224-001334	224-001334	224-001334	224-001338	224-001342	224-001346	224-001350	224-001354
	VMQ		224-001335	224-001335	224-001335	224-001339	224-001343	224-001347	224-001351	224-001355
The seal set contains items 2 and 21.										
Complete valve bodies can be ordered using the order code. In this case, the actuator type "9 = without actuator" must be selected, e.g. 7111-1002-0900-0000.										
1	Flap	304	224-001007	224-001007	224-001007	224-001008	224-001009	224-001010	224-001011	224-001012
		316L	224-000810	224-000810	224-000810	224-000811	224-000812	224-000813	224-000814	224-000815
2	Seal	EPDM	224-170.61	224-170.61	224-170.61	224-170.62	224-170.63	224-170.64	224-170.65	224-170.66
		FKM	224-170.75	224-170.75	224-170.75	224-170.76	224-170.77	224-170.78	224-170.79	224-170.80
		HNBR	224-170.89	224-170.89	224-170.89	224-170.90	224-170.91	224-170.92	224-170.93	224-170.94
		VMQ	224-173.05	224-173.05	224-173.05	224-173.06	224-173.07	224-173.08	224-173.09	224-173.10
3	Round plug	PE	922-338	922-338	922-338	922-338	922-338	922-338	922-338	922-338
4	Cheese head screw	A2-70	4x 902-099	4x 902-099	4x 902-099	4x 902-099	4x 902-100	4x 902-100	6x 902-100	6x 902-100
			M6 x 30	M6 x 30	M6 x 30	M6 x 30	M8 x 30	M8 x 30	M8 x 30	M8 x 30
5	Hexagon nut	A2	4x 910-013	4x 910-013	4x 910-013	4x 910-013	4x 910-018	4x 910-018	6x 910-018	6x 910-018
			M6	M6	M6	M6	M8	M8	M8	M8
21	Plain bearing	IGLIDUR F	704-045	704-045	704-045	704-045	704-045	704-045	704-045	704-045

Pos.	Designation	Material	0.5" OD	0.75" OD	1" OD	1.5" OD	2" OD	2.5" OD	3" OD	4" OD
A	Flange	See Overview of flanges.								
	Grease RIVOLTA F.L.G. MD-2 100g tube not included in the seal set.		413-136							
	Grease BARRIERTA L 55/3 (only for seals VMQ)		413-137							

Table 4: Spare parts list - butterfly valve 711, 721, 722, 724, 714, 731, 733, 751 (OD 0,5" - OD 4")

Overview flange [OD]

Pos.	Designation	Material	0.5" OD	0.75" OD	1" OD	1.5" OD	2" OD	2.5" OD	3" OD	4" OD
1	Welding flange	304	224-000915	224-000899	224-000909	224-000910	224-000911	224-000912	224-000913	224-000914
		316L	224-000816	224-000705	224-000715	224-000716	224-000717	224-000718	224-000719	224-000720
2	Threaded flange DIN	304	--	--	224-000978	224-000979	224-000980	224-000981	224-000982	224-000983
		316L	--	--	224-000729	224-000730	224-000731	224-000732	224-000733	224-000734
3	Clamping flange	304	--	--	224-000939	224-000940	224-000941	224-000942	224-000943	224-000944
		316L	--	--	224-000741	224-000742	224-000743	224-000744	224-000745	224-000746
4	Conical flange DIN	304	--	--	on request	on request	on request	on request	on request	on request
		316L	--	--	on request	on request	on request	on request	on request	on request
2a	Threaded flange RJT	304	--	--	224-000965	224-000966	224-000967	224-000968	224-000969	224-000970
		316L	--	--	224-000784	224-000785	224-000786	224-000787	224-000788	224-000789
2b	Threaded flange IDF	304	--	--	224-000953	224-000954	224-000955	224-000956	224-000957	224-000958
		316L	--	--	224-000790	224-000791	224-000792	224-000793	224-000794	224-000795
2c/1	Threaded flange SMS	304	--	--	224-000971	224-000972	224-000973	224-000974	224-000975	224-000976 * 224-000977 **
		316L	--	--	224-000777	224-000778	224-000779	224-000780	224-000781	224-000782 * 224-000783 **
2c/2	Threaded flange DS	304	--	--	224-000959	224-000960	224-000961	224-000962	224-000963	224-000964
		316L	--	--	224-000796	224-000797	224-000798	224-000799	224-000800	224-000801

Pos.	Designation	Material	0.5" OD	0.75" OD	1" OD	1.5" OD	2" OD	2.5" OD	3" OD	4" OD
4a	Conical flange SMS	304	--	--	on request	on request	on request	on request	on request	on request
		316L	--	--	on request	on request	on request	on request	on request	on request
5	Tank flange	316L	--	--	224-001794	224-001795	224-001796	224-001797	224-001798	224-001799

* until April 2017 (Rd 125)

** from April 2017 (Rd 132)

Table 5: Overview flange (OD 0,5" - OD 4")

Seal ring G for threaded flange DIN [OD]

Pos.	Designation	Material	1" OD	1.5" OD	2" OD	2.5" OD	3" OD	4" OD
G	Seal ring G for threaded flange DIN	EPDM	928-338	928-340	928-341	928-342	928-793	928-344
		FKM	928-324	928-325	928-326	928-327	928-794	928-329
		HNBR	928-758	928-759	928-760	928-761	--	928-763
		VMQ	928-796	928-797	928-798	928-799	--	928-801

Table 6: Seal ring G for threaded flange DIN (OD 1" - OD 4")

GEA Tuchenhagen GmbH
Am Industriepark 2-10
21514 Büchen , Germany

Phone +49 4155 49-0

224ELI009792 Copyright © GEA Tuchenhagen - All rights reserved - Subject to modifications.