

### 3 Hygienic butterfly valves (intermediate flange variants)

224ELI009808

Type 788

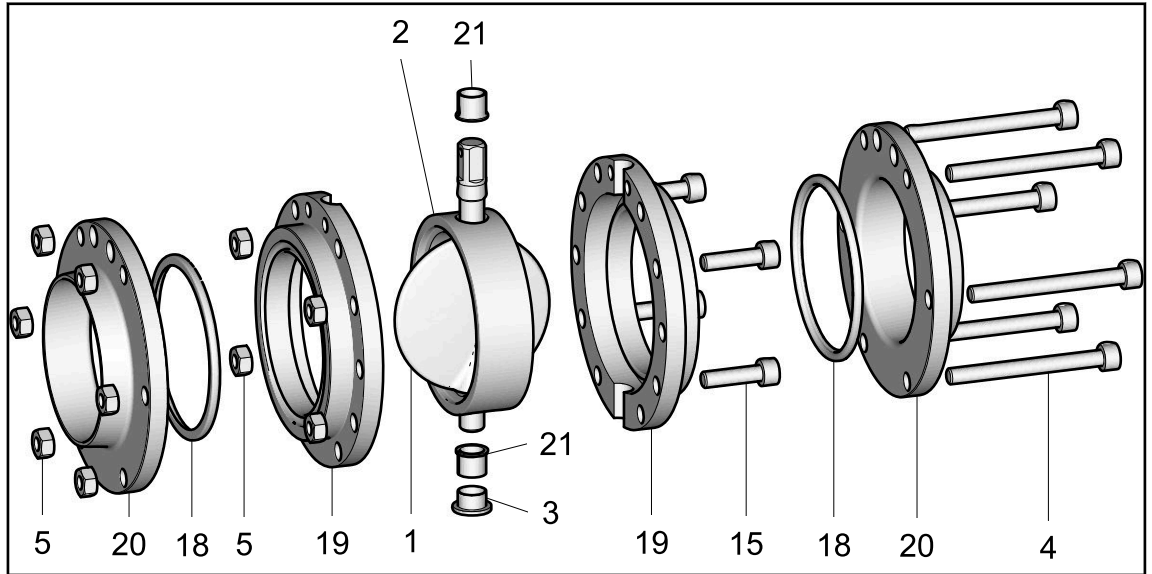


Figure 3-1 - Spare parts list - Butterfly valve 788

## Spare parts list - Butterfly valve 788 (intermediate flange) [DN]

Pos.	Designation	Material	DN 15	DN 20	DN 25	DN 40	DN 50	DN 65	DN 80	DN 100	DN 125	DN 150
Seal set VV complete		EPDM	224- 00138 8	224- 00138 8	224- 00135 6	224- 00136 0	224- 00136 4	224- 00136 8	224- 00137 2	224- 00137 6	224- 00138 0	224- 00138 4
		FKM	224- 00138 9	224- 00138 9	224- 00135 7	224- 00136 1	224- 00136 5	224- 00136 9	224- 00137 3	224- 00137 7	224- 00138 1	224- 00138 5
		HNBR	224- 00139 0	224- 00139 0	224- 00135 8	224- 00136 2	224- 00136 6	224- 00137 0	224- 00137 4	224- 00137 8	224- 00138 2	224- 00138 6
		VMQ	224- 00139 1	224- 00139 1	224- 00135 9	224- 00136 3	224- 00136 7	224- 00137 1	224- 00137 5	224- 00137 9	224- 00138 3	224- 00138 7

The seal set contains items 2, 18 and 21.

Complete valve bodies can be ordered using the order code.

In this case, the actuator type "9 = without actuator" must be selected, e.g. 7881-1002-0900-0000.

1	Butterfly valve disc	304	224- 00100 7	224- 00100 7	224- 00099 9	224- 00100 0	224- 00100 1	224- 00100 2	224- 00100 3	224- 00100 4	224- 00100 5	224- 00100 6
		316L	224- 00081 0	224- 00081 0	224- 00080 2	224- 00080 3	224- 00080 4	224- 00080 5	224- 00080 6	224- 00080 7	224- 00080 8	224- 00080 9
2	Butterfly valve seal	EPDM	224- 170.6 1	224- 170.6 1	224- 170.6 7	224- 170.6 8	224- 170.6 9	224- 170.7 0	224- 170.7 1	224- 170.7 2	224- 170.7 3	224- 170.7 4
		FKM	224- 170.7 5	224- 170.7 5	224- 170.8 1	224- 170.8 2	224- 170.8 3	224- 170.8 4	224- 170.8 5	224- 170.8 6	224- 170.8 7	224- 170.8 8
		HNBR	224- 170.8 9	224- 170.8 9	224- 170.9 5	224- 170.9 6	224- 170.9 7	224- 170.9 8	224- 170.9 9	224- 173.0 2	224- 173.0 3	224- 173.0 4
		VMQ	224- 173.0 5	224- 173.0 5	224- 173.11	224- 173.1	224- 173.1 3	224- 173.1 4	224- 173.1 5	224- 73.1 6	224- 173.1 7	224- 173.1 8

Pos.	Designation	Material	DN 15	DN 20	DN 25	DN 40	DN 50	DN 65	DN 80	DN 100	DN 125	DN 150
3	Round plug	PE	922-338	922-338	922-338	922-338	922-338	922-338	922-338	922-338	922-339	922-339
4	Cheese head screw	A2-70	4x 902-135	4x 902-135	4x 902-135	4x 902-135	4x 902-136	6x 902-136	6x 902-136	8x 902-136	8x 902-133	8x 902-132
			M6 x 75	M6 x 75	M6 x 75	M6 x 75	M8 x 75	M8 x 75	M8 x 75	M8 x 75	M8 x 75	M10 x 100
5	Hexagon nut	A2	8x 910-013	8x 910-013	8x 910-013	8x 910-013	8x 910-018	12x 910-018	12x 910-018	14x 910-018	14x 910-026	16x 910-029
			M6	M6	M6	M6	M8	M8	M8	M8	M8	M10
15	Cheese head screw	A2-70	4x 902-099	4x 902-099	4x 902-099	4x 902-099	4x 902-100	6x 902-100	6x 902-100	6x 902-100	6x 902-118	8x 902-134
			M6 x 30	M6 x 30	M6 x 30	M6 x 30	M8 x 30	M8 x 30	M8 x 30	M8 x 30	M8 x 30	M10 x 35
18	O-ring	EPDM	930-376	930-376	930-393	930-545	930-546	930-547	930-450	930-549	930-550	930-574
		FKM	930-593	930-593	930-564	930-566	930-567	930-526	930-527	930-568	930-569	930-575
		HNBR	930-851	930-851	930-551	930-552	930-553	930-554	930-555	930-556	930-557	930-1053
		VMQ	930-066	930-066	930-072	930-074	930-075	930-076	930-078	930-079	930-084	930-085
19	Flange V, int.	304	224-00099 2	224-00099 2	224-00098 4	224-00098 5	224-00098 6	224-00098 7	224-00098 8	224-00098 9	224-00099 0	224-00099 1
		316L	224-00075 5	224-00075 5	224-00074 7	224-00074 8	224-00074 9	224-00075 0	224-00075 1	224-00075 2	224-00075 3	224-00075 4
20	Flange V, ext.	304	224-00093 1	224-00093 2	224-00091 6	224-00091 7	224-00091 8	224-00091 9	224-00092 0	224-00092 1	224-00092 2	224-00092 3
		316L	224-00081 8	224-00081 9	224-00076 2	224-00076 4	224-00076 5	224-00076 6	224-00076 7	224-00076 8	224-00076 9	224-00077 0

Pos.	Designation	Material	DN 15	DN 20	DN 25	DN 40	DN 50	DN 65	DN 80	DN 100	DN 125	DN 150
21	Plain bearing	IGLIDUR-F	704-045	704-045	704-045	704-045	704-045	704-045	704-045	704-045	704-046	704-046
	Grease RIVOLTA F.L.G. MD-2 100g tube not included in the seal set.		413-136									
	Grease BARRIERTA L 55/3 (only for seals VMQ)		413-137									

Table 1: Spare parts list - Butterfly valve 788 (DN 15 - DN 150)

Spare parts list - Butterfly valve 788 (intermediate flange) [OD]

Pos.	Designation	Material	0.5" OD	0.75" OD	1" OD	1.5" OD	2" OD	2.5" OD	3" OD	4" OD
Seal set VV complete		EPDM	224-001388	224-001388	224-001388	224-001392	224-001396	224-001400	224-001404	224-001408
		FKM	224-001389	224-001389	224-001389	224-001393	224-001397	224-001401	224-001405	224-001409
		HNBR	224-001390	224-001390	224-001390	224-001394	224-001398	224-001402	224-001406	224-001410
		VMQ	224-001391	224-001391	224-001391	224-001395	224-001399	224-001403	224-001407	224-001411
The seal set contains items 2, 18 and 21.										
Complete valve bodies can be ordered using the order code. In this case, the actuator type "9 = without actuator" must be selected, e.g. 7881-1002-0900-0000.										
1	Butterfly valve disc	304	224-001007	224-001007	224-001007	224-001008	224-001009	224-001010	224-001011	224-001012
		316L	224-000810	224-000810	224-000810	224-000811	224-000812	224-000813	224-000814	224-000815
2	Butterfly valve seal	EPDM	224-170.61	224-170.61	224-170.61	224-170.62	224-170.63	224-170.64	224-170.65	224-170.66
		FKM	224-170.75	224-170.75	224-170.75	224-170.76	224-170.77	224-170.78	224-170.79	224-170.80
		HNBR	224-170.89	224-170.89	224-170.89	224-170.90	224-170.91	224-170.92	224-170.93	224-170.94
		VMQ	224-173.05	224-173.05	224-173.05	224-173.06	224-173.07	224-173.08	224-173.09	224-173.10
3	Round plug	PE	922-338	922-338	922-338	922-338	922-338	922-338	922-338	922-338
4	Cheese head screw	A2-70	4x 902-135	4x 902-135	4x 902-135	4x 902-135	4x 902-136	6x 902-136	6x 902-136	8x 902-136
			M6 x 75	M6 x 75	M6 x 75	M6 x 75	M8 x 75	M8 x 75	M8 x 75	M8 x 75
5	Hexagon nut	A2	8x 910-013	8x 910-013	8x 910-013	8x 910-013	8x 910-018	10x 910-018	12x 910-018	14x 910-018
			M6	M6	M6	M6	M8	M8	M8	M8
15	Cheese head screw	A2-70	4x 902-099	4x 902-099	4x 902-099	4x 902-099	4x 902-100	4x 902-100	6x 902-100	6x 902-100

Pos.	Designation	Material	0.5" OD	0.75" OD	1" OD	1.5" OD	2" OD	2.5" OD	3" OD	4" OD
			M6 x 30	M6 x 30	M6 x 30	M6 x 30	M8 x 30	M8 x 30	M8 x 30	M8 x 30
18	O-ring	EPDM	930-376	930-376	930-376	930-497	930-559	930-560	930-319	930-561
		FKM	930-593	930-593	930-593	930-570	930-571	930-572	930-666	930-573
		HNBR	930-851	930-851	930-851	930-852	930-853	930-854	930-652	930-855
		VMQ	930-066	930-066	930-066	930-067	930-068	930-069	930-070	930-071
19	Flange V, int.	304	224-000992	224-000992	224-000992	224-000993	224-000994	224-000995	224-000996	224-000997
		316L	224-000755	224-000755	224-000755	224-000756	224-000758	224-000759	224-000760	224-000761
20	Flange V, ext.	304	224-000930	224-000931	224-000924	224-000925	224-000926	224-000927	224-000928	224-000929
		316L	224-000817	224-000818	224-000771	224-000772	224-000773	224-000774	224-000775	224-000776
21	Plain bearing	IGLIDUR-F	704-045	704-045	704-045	704-045	704-045	704-045	704-045	704-045
	Grease RIVOLTA F.L.G. MD-2 100g tube not included in the seal set.		413-136							
	Grease BARRIERTA L 55/3 (only for seals VMQ)		413-137							

Table 2: Spare parts list - Butterfly valve 788 (OD 0.5" - OD 4")

**GEA Tuchenhagen GmbH**  
**Am Industriepark 2-10**  
**21514 Büchen , Germany**

**Phone +49 4155 49-0**

224ELI009808 Copyright © GEA Tuchenhagen - All rights reserved - Subject to modifications.