

1 Parts list - Vacuum valve V

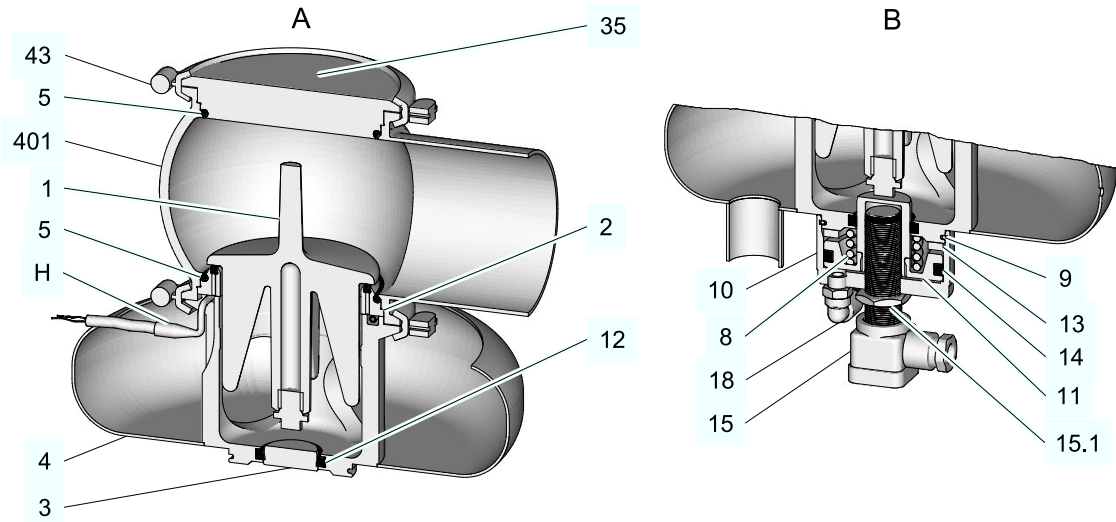


Fig.1: A = type V... without lifting device; without position feedback / B = type V... with lifting device and with position feedback

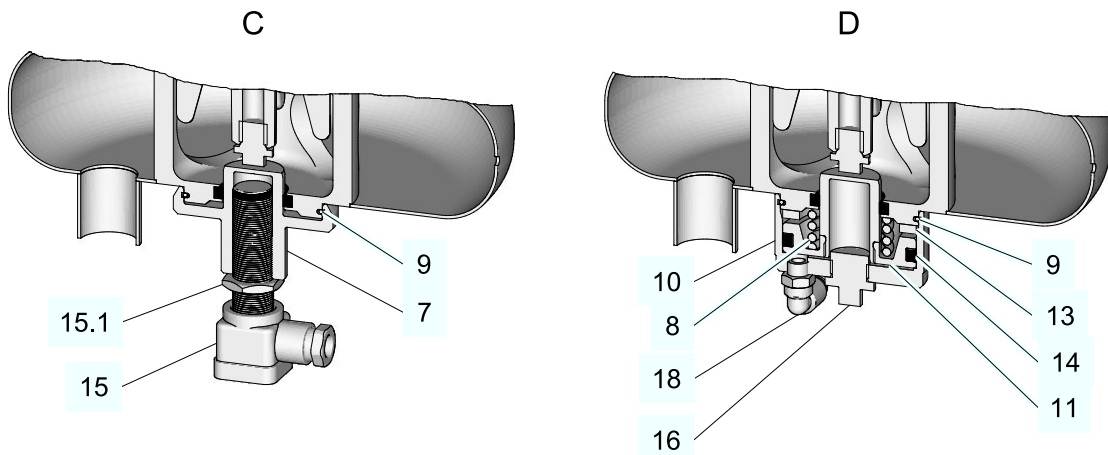


Fig.2: C = type V... E without lifting device; with position feedback / D = type V...A with lifting device; without position feedback

Parts list - Vacuum valve V

Item	Designation	Material	DN 65	DN 80	DN 100	DN 150
1	Valve disk V	--	221-253.03	221-253.04	221-253.01	221-253.21
2	Seat	1.4301/VMQ	221-468.04	221-468.04	221-468.05	221-468.06
3	Cover V	RCH 1000	221-256.06	221-256.06	221-256.06	221-256.06
4	Vacuum housing	1.4301	221-590.01	221-590.01	221-590.02	221-590.06
5	O-ring	EPDM	930-150	930-150	930-156	930-260
		FKM	930-176	930-176	930-178	930-259
		HNBR	930-634	930-634	930-863	--
7	Proximity switch holder	RCH 1000	221-256.02	221-256.02	221-256.02	221-256.04
8	Compression spring	1.4310	931-004	931-004	931-004	931-004
9	Snap ring	1.4310	221-257.01	221-257.01	221-257.01	221-257.02
10	Cylinder V	1.4301	221-258.01	221-258.01	221-258.01	221-258.02
11	Piston V	PVDF/AL	221-259.01	221-259.01	221-259.01	221-259.02
12	O-ring	NBR	930-039	930-039	930-039	930-039
13	Disk	RCH 1000	706-093	706-093	706-093	706-117
14	Quad ring	NBR	930-257	930-257	930-257	--
	O-ring		--	--	--	930-109
15	proximity switch	PA12-GF30	505-083	505-083	505-083	505-083
15.1	Hexagon nut	PA	--	--	--	--
16	Locking screw	PVC	922-080	922-080	922-080	922-080
18	Elbow screw-in plug connection, metric (1/8"-6/4)	Brass nickel-plated	933-475	933-475	933-475	933-475
	Elbow screw-in plug connection, imperial (1/8"-6.35)	Brass nickel-plated	933-979	933-979	933-979	933-979
35	Cover	1.4404	221-144.03	221-144.03	221-144.04	221-144.05
43	Clamp connection KL	1.4401	221-507.09	221-507.09	221-507.11	221-507.14
401	Housing V1	1.4404	221-101.05	221-101.06	221-101.07	221-101.66
I	Heating	--	221-590.03	221-590.03	221-590.04	221-590.05

Item	Designation	Material	2.5" OD	3" OD	4" OD
1	Valve disk V	--	221-253.13	221-253.14	221-253.15
2	Seat	1.4301/VMQ	221-468.04	221-468.04	221-468.05
3	Cover V	RCH 1000	221-256.06	221-256.06	221-256.06
4	Vacuum housing	1.4301	221-590.01	221-590.01	221-590.02
5	O-ring	EPDM	930-150	930-150	930-156
		FKM	930-176	930-176	930-178
		HNBR	930-634	930-634	930-863
7	Proximity switch holder	RCH 1000	221-256.02	221-256.02	221-256.02
8	Compression spring	1.4310	931-004	931-004	931-004
9	Snap ring	1.4310	221-257.01	221-257.01	221-257.01
10	Cylinder V	1.4301	221-258.01	221-258.01	221-258.01
11	Piston V	PVDF/AL	221-259.01	221-259.01	221-259.01
12	O-ring	NBR	930-039	930-039	930-039
13	Disk	RCH 1000	706-093	706-093	706-093
14	Quad ring	NBR	930-257	930-257	930-257
15	proximity switch	PA	505-083	505-083	505-083
15.1	Hexagon nut	PVC	--	--	--
16	Locking screw	Brass nickel-plated	922-080	922-080	922-080
18	Elbow screw-in plug connection, metric (1/8"-6/4)	Brass nickel-plated	933-475	933-475	933-475
	Elbow screw-in plug connection, imperial (1/8"-6.35)	1.4404	933-979	933-979	933-979
35	Cover	1.4401	221-144.03	221-144.03	221-144.04
43	Clamp connection KL	1.4404	221-507.09	221-507.11	--
401	Housing V1	--	221-101.30	221-101.31	221-101.32
I	Heating		221-590.03	221-590.03	221-590.04

Parts list - Vacuum valve V

Item	Designation	Material	3" IPS	4" IPS	6" IPS
1	Valve disk V	--	221-253.17	221-253.18	221-253.12
2	Seat	1.4301/VMQ	221-468.04	221-468.05	221-468.06
3	Cover V	RCH 1000	221-256.06	221-256.06	221-256.06
4	Vacuum housing	1.4301	221-590.01	221-590.02	221-590.06
5	O-ring	EPDM	930-150	930-156	930-260
		FKM	930-176	930-178	930-259
		HNBR	930-634	930-863	--
7	Proximity switch holder	RCH 1000	221-256.02	221-256.02	221-256.04
8	Compression spring	1.4310	931-004	931-004	931-004
9	Snap ring	1.4310	221-257.01	221-257.01	221-257.02
10	Cylinder V	1.4301	221-258.01	221-258.01	221-258.02
11	Piston V	PVDF/AL	221-259.01	221-259.01	221-259.02
12	O-ring	NBR	930-039	930-039	930-039
13	Disk	RCH 1000	706-093	706-093	706-117
14	Quad ring	NBR	930-257	930-257	--
	O-ring	PA12-GF30	--	--	930-109
15	proximity switch	PA	505-083	505-083	505-083
15.1	Hexagon nut	PVC	--	--	910-149 *
16	Locking screw	Brass nickel-plated	922-080	922-080	922-080
18	Elbow screw-in plug connection, metric (1/8"-6/4)	Brass nickel-plated	933-475	933-475	933-475
	Elbow screw-in plug connection, imperial (1/8"-6.35)	1.4404	933-979	933-979	933-979
35	Cover	1.4401	221-144.03	221-144.04	221-144.05
43	Clamp connection KL	1.4404	221-507.03	221-507.11	221-507.14
401	Housing V1	--	221-101.36	221-101.07	221-101.17
I	Heating		221-590.03	221-590.04	221-590.05

* The nuts for the initiator that are supplied by the manufacturer must not be used for 6" IPS due to their height. This flat hexagon nut must be used to adjust the initiator.