

## Spare parts list - Actuator CJ

221ELI002552

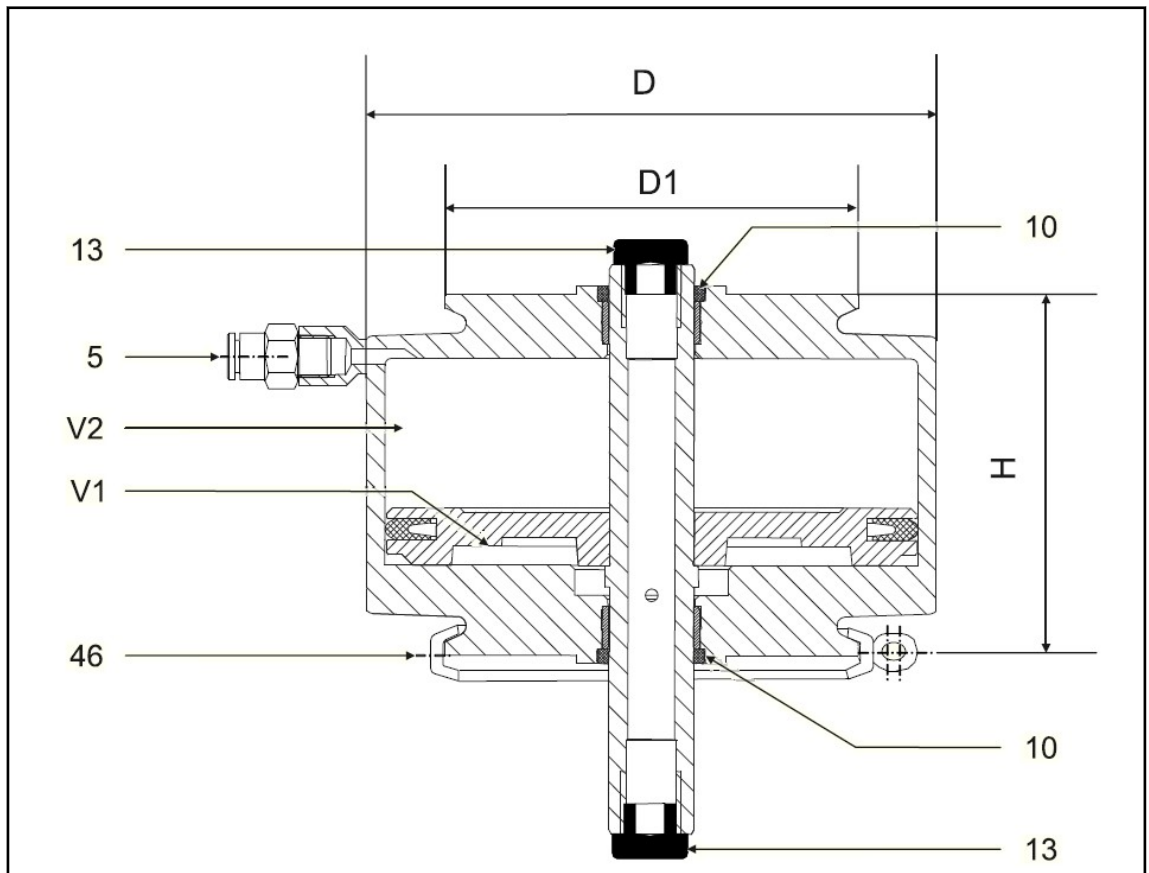


Figure 1 - Actuator CJ

## Spare parts list - actuator CJ

Item	Designation	Material	Material no.
	Actuator CJ complete		221-136.01
5	Screw-in plug connection metric G1/8"-6/4	Brass/nickel-plated	933-176
	Screw-in plug connection, imperial G1/8"-6.35	Brass/nickel-plated	933-173
10	O-ring	NBR	930-026

Item	Designation	Material	Material no.
13	Sealing plug	LD-PE	922-036
46	Clamp connection	1.4401	221-507.06

Stopping plugs, Pos.13, are only used to protect the thread. They must be removed before using the actuator.

Table 22: Spare parts list - actuator CJ

#### Dimensions table - actuator CJ

Designation		Dimension
D		135 mm
D1		97 mm
H		85 mm
Weight		4.35 kg
Volume V1	not actuated	0.1616 dm <sup>3</sup>
Volume V2	actuated (stroke 35)	0.4185 dm <sup>3</sup>

Table 23: Dimensions table - actuator CJ