

Spare parts list - Actuator M

221ELI000250

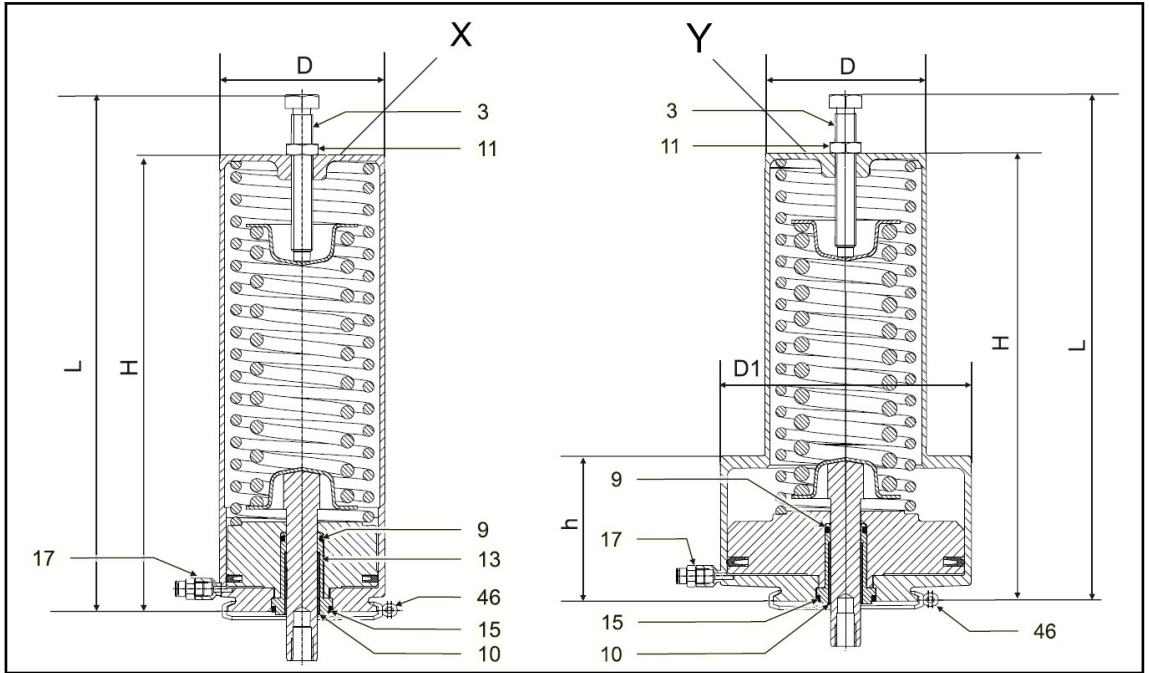


Figure 1 - Actuator M

Position Description

Position Description

X - M 11, M 21, M 1, M 2

Y - M 3, M 4, M 5

Spare parts list - actuator M

Item	Designation	Material	M 11	M 21	M 1	M 2	M 3	M 4	M 5
	Actuator complete		221-260.05	221-260.06	221-260.01	221-260.02	221-260.14	221-260.13	221-260.16
3	Pin screw	A4-70	221-177.05	221-177.05	221-177.05	221-177.05	221-177.05	221-177.05	221-200569
9	O-ring	NBR	930-029	930-029	930-029	930-029	930-029	930-029	930-029
10	Plain bearing	IGLIDUR-G	704-041	704-041	704-041	704-041	704-041	704-041	704-041
11	Hexagon nut	A2	910-036	910-036	910-036	910-036	910-036	910-036	910-036
13	Bush	1.4301	221-260.15	221-260.15	221-260.15	221-260.15	221-260.15	221-260.15	221-260.15
15	O-ring	NBR	930-251	930-251	930-251	930-251	930-251	930-251	930-251
17	Screw-in plug connection metric G1/8"-6/4	Brass/nickel-plated	933-176	933-176	933-176	933-176	933-176	933-176	933-176
	Screw-in plug connection imperial G1/8"-6.35	Brass/nickel-plated	933-173	933-173	933-173	933-173	933-173	933-173	933-173
46	Clamp connection	1.4308	221-507.29	221-507.29	221-507.29	221-507.29	221-507.29	221-507.29	221-507.29

Table 19: Spare parts list - actuator M

Dimensions table - actuator M

Designation	M 11	M 21	M 1	M 2	M 3	M 4	M 5
D	110	110	110	110	110	110	110
D1	--	--	--	--	170	170	170
h	--	--	--	--	95	95	95
H	195	195	295	295	295	295	365
L	275	275	375	375	375	375	470
Required control air pressure (bar)	3	3	3	4	3	5	6

Table 20: Dimensions table - actuator M

Response pressure (bar) - actuator M

Nominal width Metric	Nominal width Inch OD/IPS	M 11	M 21	M 1	M 2	M 3	M 4	M 5
		25	1"	1.5 - 4.5	3 - 9	8 - 16	--	--
40	1.5"	--	1.5 - 2	1.5 - 5	4 - 15	14 - 16	--	--
50	2"	--	--	1.5 - 4	3 - 11	10 - 16	--	--
65	2.5"	--	--	--	1 - 4	3 - 10	9 - 15	15 - 20
80	3"	--	--	--	1 - 4	3 - 10	9 - 10	15 - 20
100	4"	--	--	--	0.5 - 1.5	0.5 - 4	3 - 7	7 - 12

Table 21: Response pressure - actuator M