

3 VARIVENT® Type Q 221ELI000582

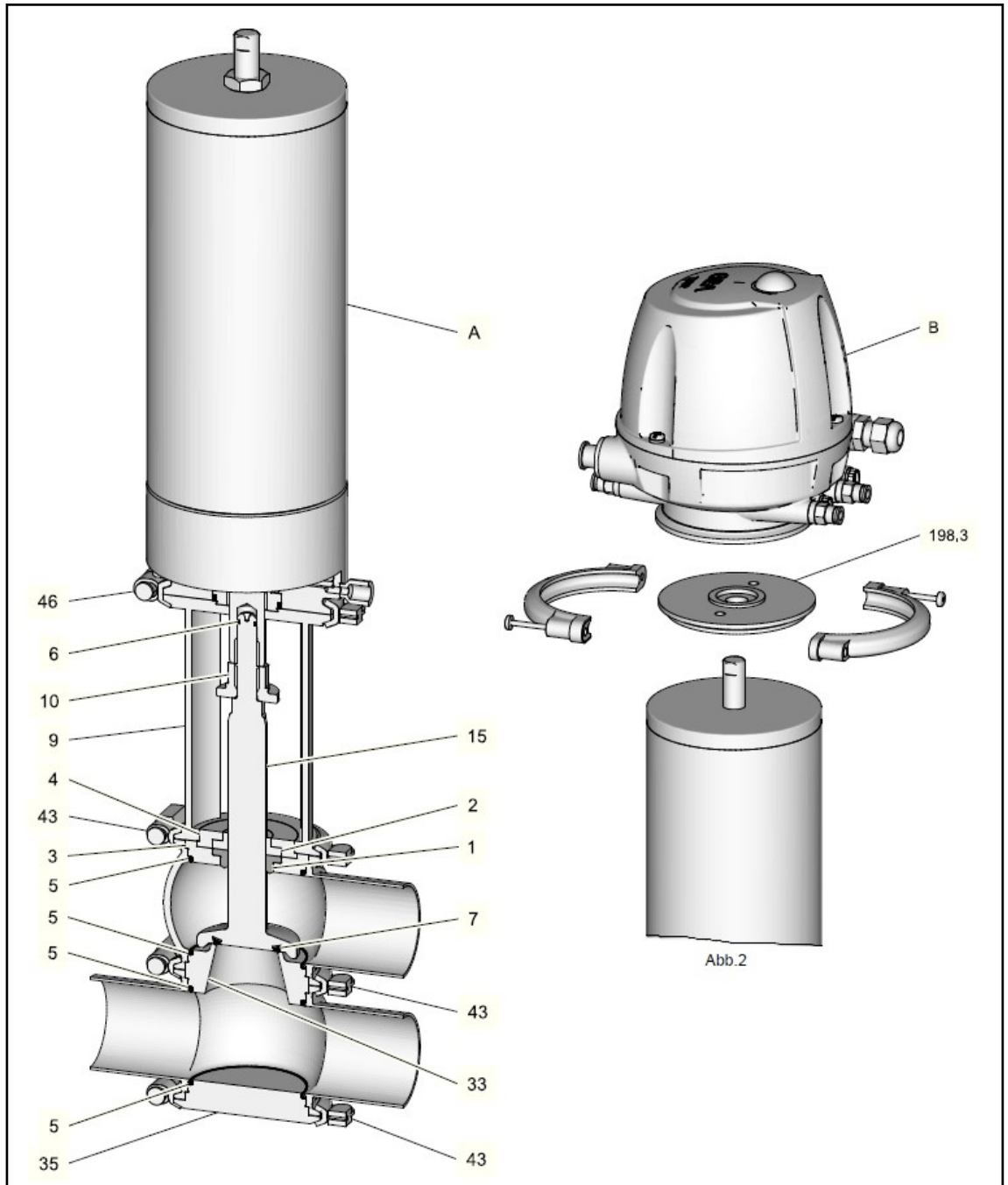
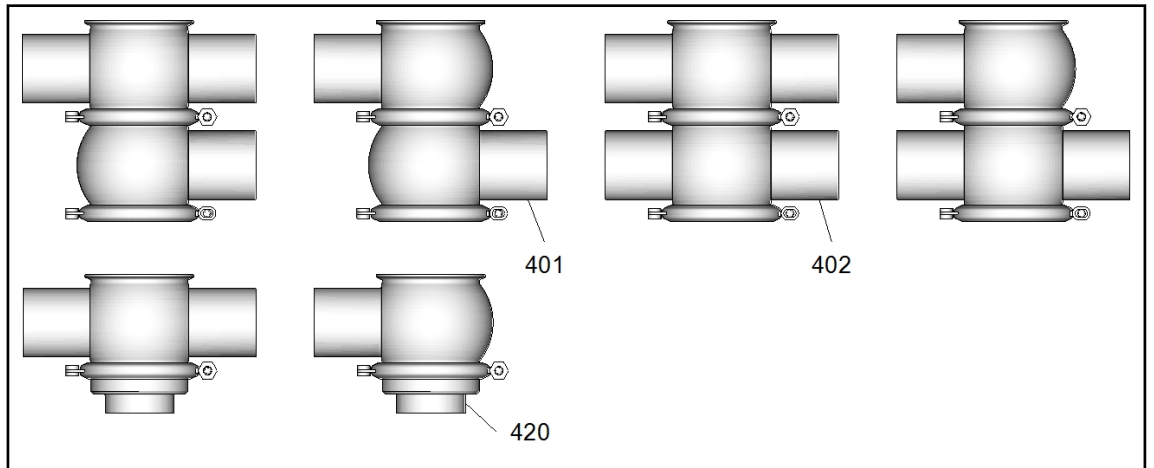


Figure 3-1 - Spare parts – overflow valve Q



Spare parts list - overflow valve type Q [DN]

Pos.	Designation	Material	DN 25	DN 40	DN 50	DN 65	DN 80	DN 100
Seal set complete 1)		EPDM	221-304.39	221-304.40	221-304.40	221-304.41	221-304.41	221-304.42
		FKM	221-519.49	221-519.50	221-519.50	221-519.51	221-519.51	221-519.52
		HNBR	221-519.62	221-519.63	221-519.63	221-519.64	221-519.64	221-001019
<p>1) The seal set contains items 1, 5, 6 and 7. Items marked with an * are wearing parts. ** Do not grease item 7. *** Q-MET > metal sealing (without V-ring)</p>								
1*	Seal ring	EPDM	924-084	924-084	924-084	924-085	924-085	924-085
		FKM	924-082	924-082	924-082	924-083	924-083	924-083
		HNBR	924-311	924-311	924-311	924-313	924-313	924-313
2	Bearing	PTFE/carbon	935-001	935-001	935-001	935-002	935-002	935-002
	Bearing, 3A	SUSTA-PVDF	935-098	935-098	935-098	935-099	935-099	935-099
3	Seal disk	1.4404	221-141.01	221-141.02	221-141.02	221-141.03	221-141.03	221-141.04
4	Bearing disk	1.4301	221-142.01	221-142.02	221-142.02	221-142.03	221-142.03	221-142.03
5*	O-ring	EPDM	930-309	930-144	930-144	930-150	930-150	930-156
		FKM	930-168	930-171	930-171	930-176	930-176	930-178
		HNBR	930-632	930-633	930-633	930-634	930-634	930-863
6*	O-ring	NBR	930-004	930-004	930-004	930-004	930-004	930-004
**7*	V-ring	EPDM	932-058	932-046	932-046	932-021	932-021	932-025
		FKM	932-049	932-030	932-030	932-033	932-033	932-036
		HNBR	932-086	932-087	932-087	932-088	932-088	932-101

Pos.	Designation	Material	DN 25	DN 40	DN 50	DN 65	DN 80	DN 100
9	Lantern	1.4301	221-574.01	221-574.02	221-574.02	221-574.03	221-574.03	221-574.04
10	Lock nut	1.4301	221-147.02	221-147.02	221-147.02	221-147.01	221-147.01	221-147.01
15	Valve disk Q	1.4404	221-266.01	221-266.02	221-266.02	221-266.03	221-266.05	221-266.04
	Valve disk Q-MET***	1.4404	221-339.05	221-339.01	221-339.01	221-339.02	221-339.03	221-339.04
33	Seat ring Q	1.4404	221-274.01	221-274.02	221-274.02	221-274.03	221-274.03	221-274.04
35	Blanking plate	1.4404	221-144.01	221-144.02	221-144.02	221-144.03	221-144.03	221-144.04
43	Clamp connection KL	1.4308	221-507.27	221-507.28	221-507.28	221-507.30	221-507.30	221-507.31
46	Clamp connection KL	1.4308	221-507.29	221-507.29	221-507.29	221-507.29	221-507.29	221-507.29
198.3	Installation base	1.4305	221-007461	221-007461	221-007461	221-007461	221-007461	221-007461
401	Housing V1	1.4404	221-101.19	221-101.21	221-101.22	221-101.05	221-101.06	221-101.07
402	Housing V2	1.4404	221-102.41	221-102.43	221-102.44	221-102.05	221-102.06	221-102.07
420	Housing connection Q	1.4404	221-572.02	221-572.04	221-572.06	221-572.09	221-572.11	221-572.14
A	Actuator F/F-CJ		See parts list for actuator F/F-CJ					
	Actuator M		See parts list for actuator M					
B	Control top T.VIS Q-15		See spare parts list for Control Top T.VIS P-15.					
	Grease RIVOLTA F.L.G. 100g tube not included with seal set.		413-136					

Table 1: Spare parts list - overflow valve type Q (DN 25 - DN 100)

Spare parts list - overflow valve type Q [OD]

Pos.	Designation	Material	1" OD	1.5" OD	2" OD	2.5" OD	3" OD	4" OD
Seal set complete 1)		EPDM	221-304.39	221-304.40	221-304.40	221-304.41	221-304.41	221-304.42
		FKM	221-519.49	221-519.50	221-519.50	221-519.51	221-519.51	221-519.52
		HNBR	221-519.62	221-519.63	221-519.63	221-519.64	221-519.64	221-001019
<p>1) The seal set contains items 1, 5, 6 and 7. Items marked with an * are wearing parts. ** Do not grease item 7. *** Q-MET > metal sealing (without V-ring)</p>								
1*	Seal ring	EPDM	924-084	924-084	924-084	924-085	924-085	924-085
		FKM	924-082	924-082	924-082	924-083	924-083	924-083
		HNBR	924-311	924-311	924-311	924-313	924-313	924-313
2	Bearing	PTFE/carbon	935-001	935-001	935-001	935-002	935-002	935-002
	Bearing, 3A	SUSTA-PVDF	935-098	935-098	935-098	935-099	935-099	935-099
3	Seal disk	1.4404	221-141.01	221-141.02	221-141.02	221-141.03	221-141.03	221-141.04
4	Bearing disk	1.4301	221-142.01	221-142.02	221-142.02	221-142.03	221-142.03	221-142.03
5*	O-ring	EPDM	930-309	930-144	930-144	930-150	930-150	930-156
		FKM	930-168	930-171	930-171	930-176	930-176	930-178
		HNBR	930-632	930-633	930-633	930-634	930-634	930-863
6*	O-ring	NBR	930-004	930-004	930-004	930-004	930-004	930-004
**7*	V-ring	EPDM	932-058	932-046	932-046	932-021	932-021	932-025
		FKM	932-049	932-030	932-030	932-033	932-033	932-036
		HNBR	932-086	932-087	932-087	932-088	932-088	932-101

Pos.	Designation	Material	1" OD	1.5" OD	2" OD	2.5" OD	3" OD	4" OD
9	Lantern	1.4301	221-574.01	221-574.07	221-574.07	221-574.08	221-574.08	221-574.09
10	Lock nut	1.4301	221-147.02	221-147.02	221-147.02	221-147.01	221-147.01	221-147.01
15	Valve disk Q	1.4404	221-266.01	221-266.02	221-266.02	221-266.03	221-266.05	221-266.04
	Valve disk Q-MET***	1.4404	221-339.05	221-339.01	221-339.01	221-339.02	221-339.03	221-339.04
33	Seat ring Q	1.4404	221-274.01	221-274.02	221-274.02	221-274.03	221-274.03	221-274.04
35	Blanking plate	1.4404	221-144.01	221-144.02	221-144.02	221-144.03	221-144.03	221-144.04
43	Clamp connection KL	1.4308	221-507.27	221-507.28	221-507.28	221-507.30	221-507.30	221-507.31
46	Clamp connection KL	1.4308	221-507.29	221-507.29	221-507.29	221-507.29	221-507.29	221-507.29
198.3	Installation base	1.4305	221-007461	221-007461	221-007461	221-007461	221-007461	221-007461
401	Housing V1	1.4404	221-101.27	221-101.28	221-101.29	221-101.30	221-101.31	221-101.32
402	Housing V2	1.4404	221-102.52	221-102.53	221-102.54	221-102.55	221-102.56	221-102.57
420	Housing connection Q	1.4404	221-572.01	221-572.03	221-572.05	221-572.08	221-572.10	221-572.13
A	Actuator F/F-CJ		See parts list for actuator F/F-CJ					
	Actuator M		See parts list for actuator M					
B	Control top T.VIS Q-15		See spare parts list for Control Top T.VIS P-15.					
	Grease RIVOLTA F.L.G. 100g tube not included with seal set.		413-136					

Table 2: Spare parts list - overflow valve type Q (OD 1" - OD 4")

Spare parts list - overflow valve type Q [IPS]



Pos.	Designation	Material	2" IPS	3" IPS	4" IPS
Seal set complete 1)		EPDM	221-304.40	221-304.41	221-304.42
		FKM	221-519.50	221-519.51	221-519.52
		HNBR	221-519.63	221-519.64	221-001019
<p>1) The seal set contains items 1, 5, 6 and 7. Items marked with an * are wearing parts. ** Do not grease item 7. *** Q-MET > metal sealing (without V-ring)</p>					
1*	Seal ring	EPDM	924-084	924-085	924-085
		FKM	924-082	924-083	924-083
		HNBR	924-311	924-313	924-313
2	Bearing	PTFE/carbon	935-001	935-002	935-002
	Bearing, 3A	SUSTA-PVDF	935-098	935-099	935-099
3	Seal disk	1.4404	221-141.02	221-141.03	221-141.04
4	Bearing disk	1.4301	221-142.02	221-142.03	221-142.03
5*	O-ring	EPDM	930-144	930-150	930-156
		FKM	930-171	930-176	930-178
		HNBR	930-633	930-634	930-863
6*	O-ring	NBR	930-004	930-004	930-004
**7*	V-ring	EPDM	932-046	932-021	932-025
		FKM	932-030	932-033	932-036
		HNBR	932-087	932-088	932-101

Pos.	Designation	Material	2" IPS	3" IPS	4" IPS
9	Lantern	1.4301	221-574.12	221-574.10	221-574.11
10	Lock nut	1.4301	221-147.02	221-147.01	221-147.01
15	Valve disk Q	1.4404	221-266.02	221-266.05	221-266.04
	Valve disk Q-MET***	1.4404	221-339.01	221-339.03	221-339.04
33	Seat ring Q	1.4404	221-274.02	221-274.03	221-274.04
35	Blanking plate	1.4404	221-144.02	221-144.03	221-144.04
43	Clamp connection KL	1.4308	221-507.28	221-507.30	221-507.31
46	Clamp connection KL	1.4308	221-507.29	221-507.29	221-507.29
198.3	Installation base	1.4305	221-007461	221-007461	221-007461
401	Housing V1	1.4404	221-101.37	221-101.35	221-101.36
402	Housing V2	1.4404	221-102.62	221-102.59	221-102.60
420	Housing connection Q	1.4404	221-572.07	221-572.12	221-572.15
A	Actuator F/F-CJ		See parts list for actuator F/F-CJ		
	Actuator M		See parts list for actuator M		
B	Control top T.VIS Q-15		See spare parts list for Control Top T.VIS P-15.		
	Grease RIVOLTA F.L.G. 100g tube not included with seal set.		413-136		

Table 3: Spare parts list - overflow valve type Q (IPS 2" - IPS 4")

GEA Tuchenhagen GmbH
Am Industriepark 2-10
21514 Büchen , Germany

Phone +49 4155 49-0

221ELI000582 Copyright © GEA Tuchenhagen - All rights reserved - Subject to modifications.