

3 VARIVENT® Type T_RL 221ELI001637

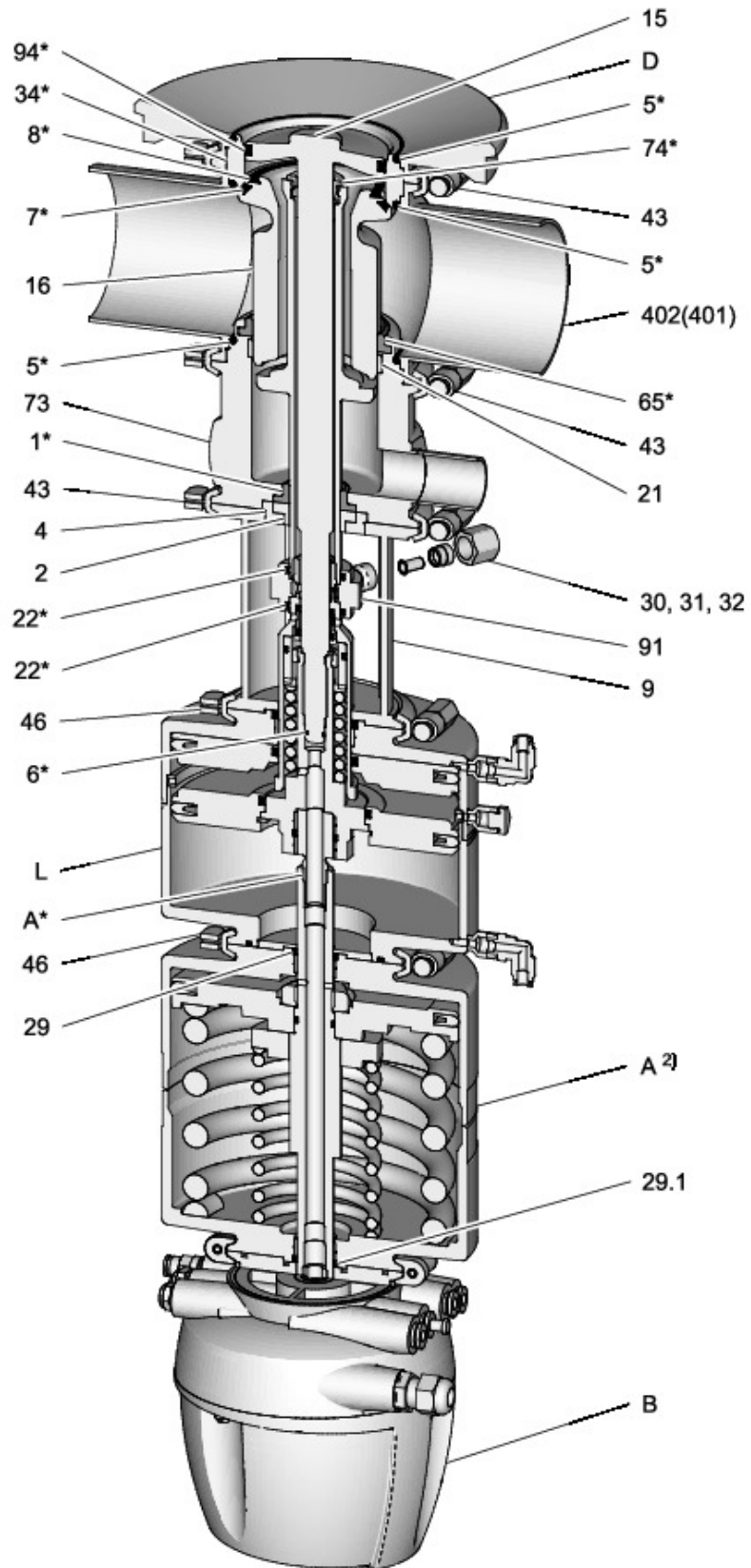
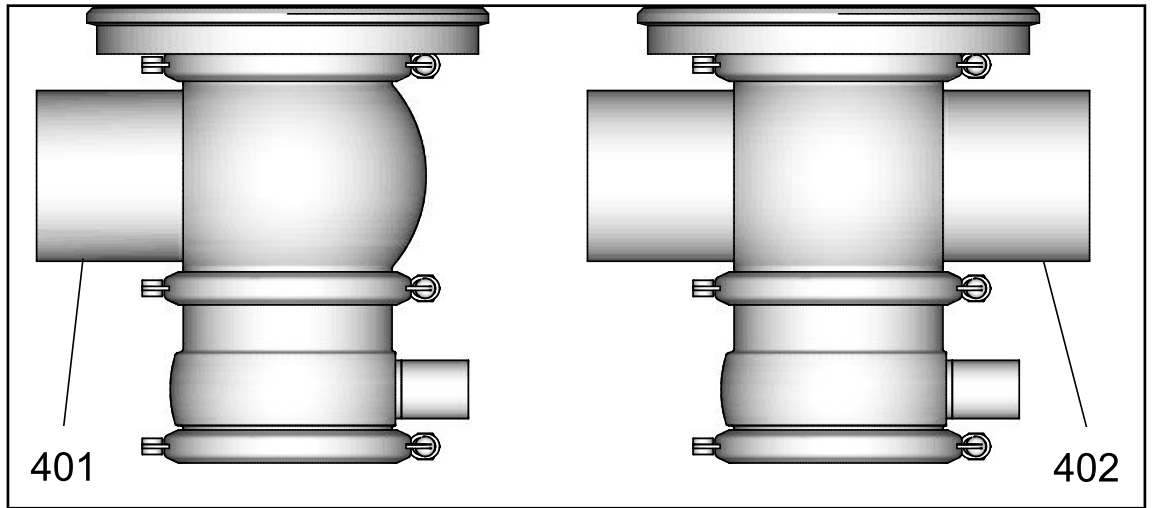


Figure 3-1 - Spare parts - tank bottom valve T_RL



Spare parts list - mixproof tank bottom valve type T_RL [DN]

Item	Designation	Material	DN 40	DN 50	DN 65	DN 80	DN 100	DN 125	DN 150
Seal set *		EPDM	221-000828	221-000828	221-000830	221-000830	221-000832	221-001125	221-002831
		FKM	221-000829	221-000829	221-000831	221-000831	221-000833	221-001126	221-002833
		HNBR	221-004208	221-004208	221-004211	221-004211	221-004212	--	--
<p>Items marked with * are included in the seal set. Items marked with 1) are wear parts. ** Do not grease items 7, 8 and 94.</p>									
1 1)	Seal ring *	EPDM	924-085	924-085	924-085	924-085	924-085	924-088	924-088
		FKM	924-083	924-083	924-083	924-083	924-083	924-087	924-087
		HNBR	924-313	924-313	924-313	924-313	924-313	--	--
2 1)	Bearing	PTFE/carbon	935-002	935-002	935-002	935-002	935-002	935-003	935-003
	Bearing, 3A	SUSTA-PVDF	935-099	935-099	935-099	935-099	935-099	935-102	935-102
4	Bearing disk	1.4301	221-142.03	221-142.03	221-142.03	221-142.03	221-142.03	221-142.04	221-142.04
5 1)	O-ring *	EPDM	930-144	930-144	930-150	930-150	930-156	930-372	930-260
		FKM	930-171	930-171	930-176	930-176	930-178	930-409	930-259
		HNBR	930-633	930-633	930-634	930-634	930-863	--	--
6 1)	O-ring *	NBR	930-004	930-004	930-004	930-004	930-004	930-007	930-007
7 1)**	V-ring *	EPDM	932-021	932-021	932-024	932-024	932-028	932-060	932-042
		FKM	932-033	932-033	932-035	932-035	932-039	932-062	930-041
		HNBR	932-088	932-088	932-090	932-090	932-100	--	--
8 1)**	V-ring *	EPDM	932-019	932-019	932-023	932-023	932-027	932-059	932-045

Item	Designation	Material	DN 40	DN 50	DN 65	DN 80	DN 100	DN 125	DN 150
		FKM	932-032	932-032	932-034	932-034	932-038	932-063	932-044
		HNBR	932-084	932-084	932-089	932-089	932-099	--	--
9	Lantern DL	1.4301	221-236.16	221-236.01	221-236.02	221-236.24	221-236.04	221-236.06	221-236.26
15	Valve disk T_R	1.4404	221-000673	221-000666	221-000650	221-000680	221-000644	221-001108	221-001937
16	Double-disk T_R	1.4404	221-000373	221-000669	221-000663	221-000679	221-000647	221-001107	221-004817
21 1)	Guide ring	Turcite	935-056	935-056	935-042	935-042	935-043	935-044	935-072
	Guide ring 3A	MF6	935-117	935-117	935-113	935-113	935-114	935-115	935-118
22 1)	O-ring *	EPDM	930-243	930-243	930-243	930-243	930-243	930-356	930-356
		FKM	930-244	930-244	930-244	930-244	930-244	930-357	930-357
		HNBR	930-640	930-640	930-640	930-640	930-640	--	--
29	O-ring *	NBR	930-026	930-026	930-026	930-026	930-026	930-035	930-035
29.1	O-ring *	NBR	930-026	930-026	930-026	930-026	930-026	930-026	930-026
30	Cap nut	1.4571	933-456	933-456	933-456	933-456	933-456	933-482	933-482
31	Cutting ring	1.4571	933-455	933-455	933-455	933-455	933-455	933-481	933-481
32	Support sleeve	1.4571	933-382	933-382	933-382	933-382	933-382	933-385	933-385
34	Seat ring R	1.4404	221-402.01	221-402.01	221-402.03	221-402.03	221-402.02	221-402.04	221-402.05
43	Clamp connection KL	1.4401	221-507.04	221-507.04	221-507.09	221-507.09	221-507.11	221-507.13	221-507.14
46	Clamp connection KL	1.4401	221-507.06	221-507.06	221-507.06	221-507.06	221-507.06	221-507.11	221-507.11
65 1)	Seal ring *	EPDM	924-305	924-305	924-296	924-296	924-254	924-262	924-261
		FKM	924-307	924-307	924-308	924-308	924-309	924-319	924-320

Item	Designation	Material	DN 40	DN 50	DN 65	DN 80	DN 100	DN 125	DN 150
		HNBR	924-333	924-333	924-331	924-331	924-332	--	--
73	Leakage housing T_R	1.4404	221-000665	221-000665	221-000641	221-000641	221-000643	221-001110	221-002137
74 1)	Cleaning nozzle	PVDF	221-334.01	221-334.01	221-334.02	221-334.02	221-334.02	221-334.03	221-334.03
91	Cleaning connection	1.4301	221-237.08	221-237.08	221-237.08	221-237.08	221-237.08	221-237.25	221-237.25
94 1)**	V-ring RA *	EPDM	221-365.07	221-365.07	221-365.08	221-365.08	221-365.09	221-365.14	221-365.16
		FKM	221-365.10	221-365.10	221-365.11	221-365.11	221-365.12	221-365.15	221-365.17
		HNBR	221-365.18	221-365.18	221-365.20	221-365.20	221-365.19	--	--
401	Housing V1	1.4404	221-101.21	221-101.22	221-101.05	221-101.06	221-101.07	221-101.18	221-101.66
402	Housing V2	1.4404	221-102.43	221-102.44	221-102.05	221-102.06	221-102.07	221-102.29	221-102.09
A	Actuator	See spare parts list for VARIVENT® actuator							
A *	Adapter LFT-R	EN AW-6082 T6	221-614.01	221-614.01	221-614.01	221-614.01	221-614.01	221-614.02	221-614.02
B	Control top T.VIS	See spare parts list for control top T.VIS							
	Control top S	See spare parts list for control top S							
L	Lifting actuator T	See spare parts list for lifting actuator T							
D	Housing connection T	See spare parts list/dimensions sheet for housing connection T (not for DN 125 and DN 150)							
	Grease RIVOLTA F.L.G. MD-2 100g tube not included in the seal set.	413-136							

If an actuator (A) is ordered as a spare part, the adapter (A*) must also be ordered and mounted.

Table 1: Spare parts list - mixproof tank bottom valve type T_RL (DN 40 - DN 150)

Spare parts list - mixproof tank bottom valve type T_RL [OD]

Item	Designation	Material	1 ½" OD	2" OD	2 ½" OD	3" OD	4" OD	6" OD
Seal set *		EPDM	221-000828	221-000828	221-000830	221-000830	221-000832	221-002831
		FKM	221-000829	221-000829	221-000831	221-000831	221-000833	221-002833
		HNBR	221-004208	221-004208	221-004211	221-004211	221-004212	--
<p>Items marked with * are included in the seal set. Items marked with 1) are wear parts. ** Do not grease items 7, 8 and 94.</p>								
1 1)	Seal ring *	EPDM	924-085	924-085	924-085	924-085	924-085	924-085
		FKM	924-083	924-083	924-083	924-083	924-083	924-083
		HNBR	924-313	924-313	924-313	924-313	924-313	924-313
2 1)	Bearing	PTFE / carbon	935-002	935-002	935-002	935-002	935-002	935-002
	Bearing, 3A	SUSTA-PVDF	935-099	935-099	935-099	935-099	935-099	935-099
4	Bearing disk	1.4301	221-142.03	221-142.03	221-142.03	221-142.03	221-142.03	221-142.03
5 1)	O-ring *	EPDM	930-144	930-144	930-150	930-150	930-156	930-156
		FKM	930-171	930-171	930-176	930-176	930-178	930-178
		HNBR	930-633	930-633	930-634	930-634	930-863	930-863
6 1)	O-ring *	NBR	930-004	930-004	930-004	930-004	930-004	930-004
7 1)**	V-ring *	EPDM	932-021	932-021	932-024	932-024	932-028	932-028
		FKM	932-033	932-033	932-035	932-035	932-039	932-039
		HNBR	932-088	932-088	932-090	932-090	932-100	932-100
8 1)**	V-ring *	EPDM	932-019	932-019	932-023	932-023	932-027	932-027

Item	Designation	Material	1 ½" OD	2" OD	2 ½" OD	3" OD	4" OD	6" OD
		FKM	932-032	932-032	932-034	932-034	932-038	932-038
		HNBR	932-084	932-084	932-089	932-089	932-100	932-100
9	Lantern DL	1.4301	221-236.18	221-236.08	221-236.09	221-236.23	221-236.19	221-236.32
15	Valve disk T_R	1.4404	221-000673	221-000666	221-000650	221-000680	221-000644	221-001937
16	Double-disk T_R	1.4404	221-000676	221-000669	221-000663	221-000679	221-000647	221-004817
21 1)	Guide ring	Turcite	935-056	935-056	935-042	935-042	935-043	935-043
	Guide ring 3A	MF6	935-117	935-117	935-113	935-113	935-114	935-114
22 1)	O-ring *	EPDM	930-243	930-243	930-243	930-243	930-243	930-243
		FKM	930-244	930-244	930-244	930-244	930-244	930-244
		HNBR	930-640	930-640	930-640	930-640	930-640	930-640
29	O-ring *	NBR	930-026	930-026	930-026	930-026	930-026	930-035
29.1	O-ring *	NBR	930-026	930-026	930-026	930-026	930-026	930-026
30	Cap nut	1.4571	933-456	933-456	933-456	933-456	933-456	933-456
31	Cutting ring	1.4571	933-455	933-455	933-455	933-455	933-455	933-455
32	Support sleeve	1.4571	933-382	933-382	933-382	933-382	933-382	933-382
34	Seat ring R	1.4404	221-402.01	221-402.01	221-402.03	221-402.03	221-402.02	221-402.02
43	Clamp connection KL	1.4401	221-507.04	221-507.04	221-507.09	221-507.09	221-507.11	221-507.14
46	Clamp connection KL	1.4401	221-507.06	221-507.06	221-507.06	221-507.06	221-507.06	221-507.11
65 1)	Seal ring *	EPDM	924-305	924-305	924-296	924-296	924-254	924-261
		FKM	924-307	924-307	924-308	924-308	924-309	924-320

Item	Designation	Material	1 ½" OD	2" OD	2 ½" OD	3" OD	4" OD	6" OD
		HNBR	924-333	924-333	924-331	924-331	924-332	--
73	Leakage housing / T_R	1.4404	221-000665	221-000665	221-000641	221-000641	221-000643	221-000643
74 1)	Cleaning nozzle	PVDF	221-334.01	221-334.01	221-334.02	221-334.02	221-334.02	221-334.02
91	Cleaning connection	1.4301	221-237.08	221-237.08	221-237.08	221-237.08	221-237.08	221-237.08
94 1)**	V-ring RA *	EPDM	221-365.07	221-365.07	221-365.08	221-365.08	221-365.09	221-365.09
		FKM	221-365.10	221-365.10	221-365.11	221-365.11	221-365.12	221-365.12
		HNBR	221-365.18	221-365.18	221-365.20	221-365.20	221-365.19	221-365.19
401	Housing V1	1.4404	221-101.28	221-101.29	221-101.30	221-101.31	221-101.32	221-101.72
402	Housing V2	1.4404	221-102.53	221-102.54	221-102.55	221-102.56	221-102.57	221-102.58
A	Actuator	See spare parts list for VARIVENT® actuator						
A*	Adapter LFT-R	EN AW-6082 T6	221-614.01	221-614.01	221-614.01	221-614.01	221-614.01	221-614.02
B	Control top T.VIS	See spare parts list for control top T.VIS						
	T.VIS control top S	See spare parts list for control top S						
L	Lifting actuator T	See spare parts list for lifting actuator T						
D	Housing connection T	See spare parts list/dimensions sheet for housing connection T						
	Grease RIVOLTA F.L.G. MD-2 100g tube not included in the seal set.	413-136						

If an actuator (A) is ordered as a spare part, the adapter (A*) must also be ordered and mounted.

Table 2: Spare parts list - mixproof tank bottom valve type T_RL (OD 1.5" - OD 6")

Spare parts list - mixproof tank bottom valve type T_RL [IPS]



Item	Designation	Material	2" IPS	3" IPS	4" IPS	6" IPS
Seal set *		EPDM	221-000828	221-000830	221-000832	221-002831
		FKM	221-000829	221-000831	221-000833	221-002833
		HNBR	221-004208	221-004211	221-004212	--
<p>Items marked with * are included in the seal set. Items marked with 1) are wear parts. ** Do not grease items 7, 8 and 94.</p>						
1 1)	Seal ring *	EPDM	924-085	924-085	924-085	924-088
		FKM	924-083	924-083	924-083	924-087
		HNBR	924-313	924-313	924-313	--
2 1)	Bearing	PTFE/carbon	935-002	935-002	935-002	935-003
	Bearing, 3A	SUSTA-PVDF	935-099	935-099	935-099	935-102
4	Bearing disk	1.4301	221-142.03	221-142.03	221-142.03	221-142.04
5 1)	O-ring *	EPDM	930-144	930-150	930-156	930-260
		FKM	930-171	930-176	930-178	930-259
		HNBR	930-633	930-634	930-863	--
6 1)	O-ring *	NBR	930-004	930-004	930-004	930-007
7 1)**	V-ring *	EPDM	932-021	932-024	932-028	932-042
		FKM	932-033	932-035	932-039	930-041
		HNBR	932-088	932-090	932-100	--
8 1)**	V-ring *	EPDM	932-019	932-023	932-027	932-045

Item	Designation	Material	2" IPS	3" IPS	4" IPS	6" IPS
		FKM	932-032	932-034	932-038	932-044
		HNBR	932-084	932-089	932-099	--
9	Lantern DL	1.4301	221-236.01	221-236.24	221-236.04	221-236.05
15	Valve disk T_R	1.4404	221-002072	221-002073	221-002074	221-001937
16	Double-disk T_R	1.4404	221-002061	221-002064	221-002067	221-002516
21 1)	Guide ring	Turcite	935-056	935-042	935-043	935-072
	Guide ring 3A	MF6	935-117	935-113	935-114	935-118
22 1)	O-ring *	EPDM	930-243	930-243	930-243	930-356
		FKM	930-244	930-244	930-244	930-357
		HNBR	930-640	930-640	930-640	--
29	O-ring *	NBR	930-026	930-026	930-026	930-035
29.1	O-ring *	NBR	930-026	930-026	930-026	930-026
30	Cap nut	1.4571	933-456	933-456	933-456	933-482
31	Cutting ring	1.4571	933-455	933-455	933-455	933-481
32	Support sleeve	1.4571	933-382	933-382	933-382	933-385
34	Seat ring R	1.4404	221-402.01	221-402.03	221-402.02	221-402.05
43	Clamp connection KL	1.4401	221-507.04	221-507.03	221-507.11	221-507.14
46	Clamp connection KL	1.4401	221-507.06	221-507.09	221-507.06	221-507.11
65 1)	Seal ring *	EPDM	924-305	924-296	924-254	924-261
		FKM	924-307	924-308	924-309	924-320

Item	Designation	Material	2" IPS	3" IPS	4" IPS	6" IPS
		HNBR	924-333	924-331	924-332	--
73	Leakage housing T_R	1.4404	221-000665	221-000641	221-000643	221-002137
74 1)	Cleaning nozzle	PVDF	221-334.01	221-334.02	221-334.02	221-334.03
91	Cleaning connection	1.4301	221-237.08	221-237.08	221-237.08	221-237.25
94 1)**	V-ring RA *	EPDM	221-365.07	221-365.08	221-365.09	221-365.16
		FKM	221-365.10	221-365.11	221-365.12	221-365.17
		HNBR	221-365.18	221-365.20	221-365.19	--
401	Housing V1	1.4404	221-101.37	221-101.35	221-101.36	221-101.17
402	Housing V2	1.4404	221-102.62	221-102.59	221-102.60	221-102.17
A	Actuator	See spare parts list for VARIVENT® actuator				
A*	Adapter LFT-R	EN AW- 6082 T6	221-614.01	221-614.01	221-614.01	221-614.02
B	Control top T.VIS	See spare parts list for control top T.VIS				
	T.VIS control top S	T.VIS See spare parts list for control top S				
L	Lifting actuator T	See spare parts list for lifting actuator T				
D	Housing connection T	See spare parts list/dimensions sheet for housing connection T (not for 6" IPS)				
	Grease RIVOLTA F.L.G. MD-2 100g tube not included in the seal set.	413-136				

If an actuator (A) is ordered as a spare part, the adapter (A*) must also be ordered and mounted.

Table 3: Spare parts list - mixproof tank bottom valve type T_RL (IPS 2" - IPS 6")

GEA Tuchenhagen GmbH
Am Industriepark 2-10
21514 Büchen , Germany

Phone +49 4155 49-0

221ELI001637 Copyright © GEA Tuchenhagen - All rights reserved - Subject to modifications.