

3 ECOVENT® Type W/ECO DN10, DN15

221ELI001379

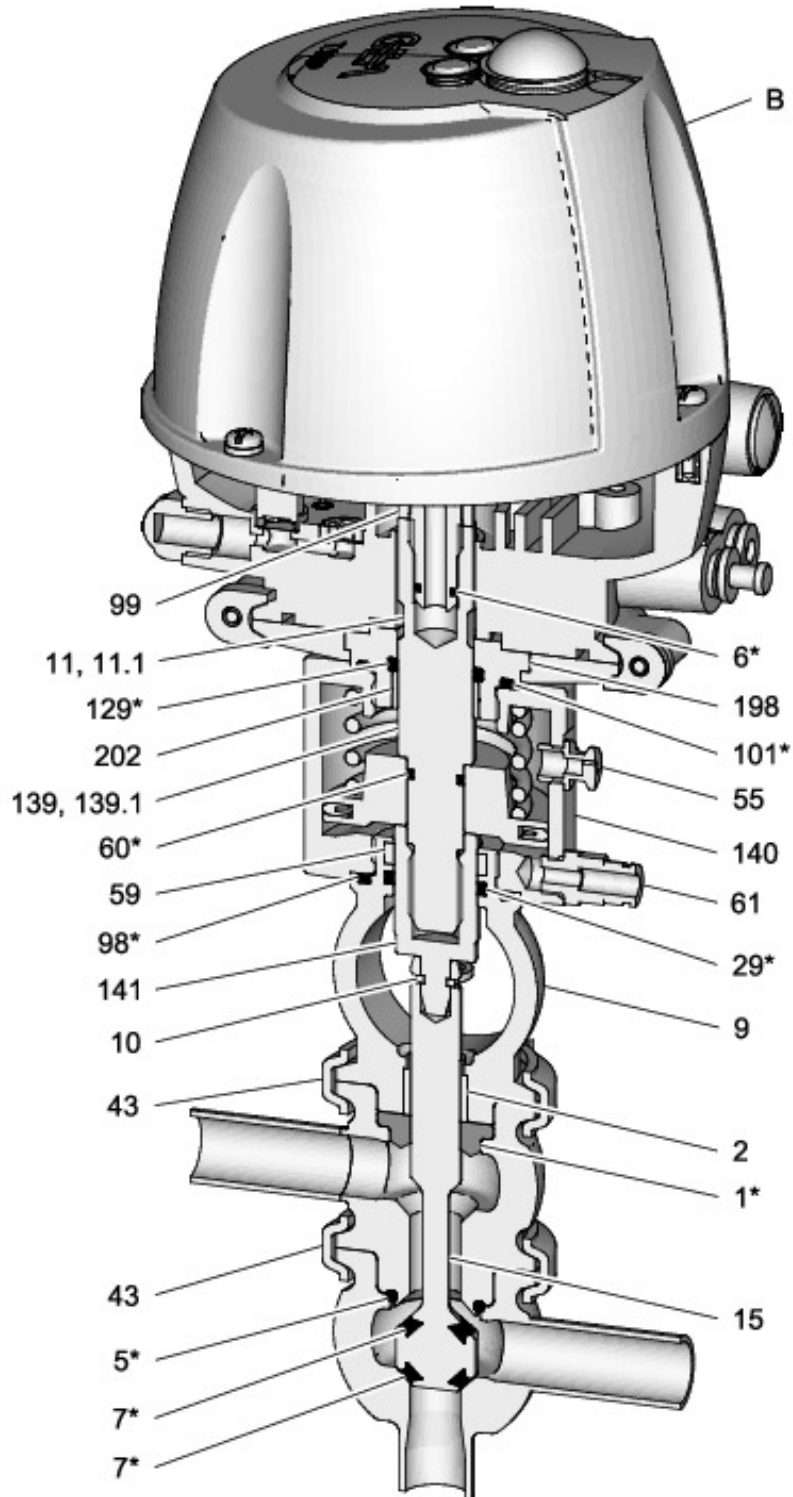


Figure 3-1 - Spare parts - valve W / ECO DN10, DN 15

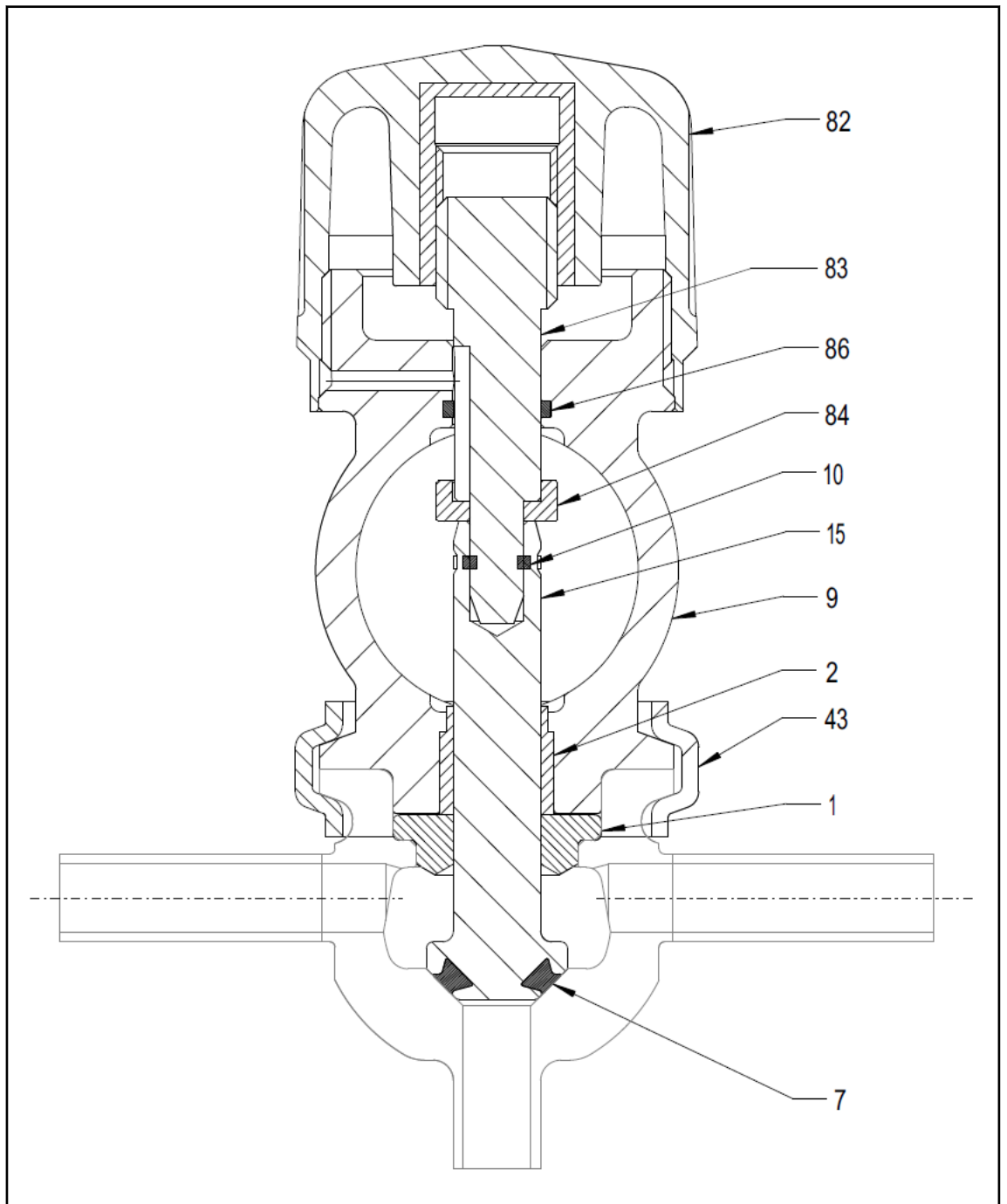


Figure 3-2 - Manual actuator NH

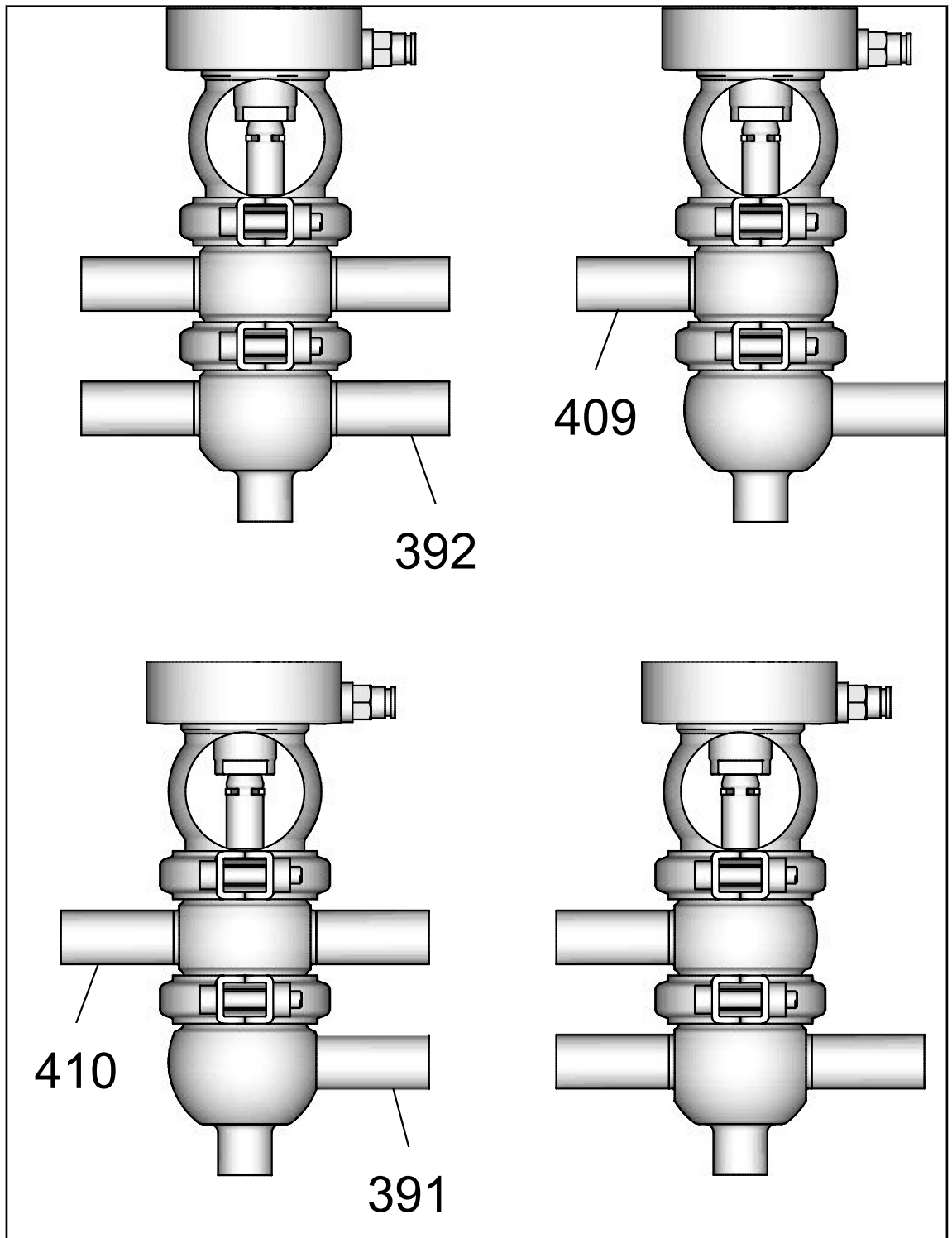


Figure 3-3 - Housing combinations

Spare parts list - Valve type W / ECO [DN 10 - DN 15]

Item	Designation	Material	DN 10/15
Seal set complete		EPDM	221-489.32
		FKM	221-489.33
Items 1, 5, 6, 29, 60, 98, 101 and 129 are included in the seal set.			
1*	Seal ring	EPDM	924-255

Item	Designation	Material	DN 10/15
		FKM	924-297
2	Bearing	PTFE/carbon	935-037
	Bearing, 3A	PEEK	935-097
5*	O-ring	EPDM	930-270
		FKM	930-163
6*	O-ring	NBR	930-004
7*	V-ring	EPDM	932-064
		FKM	932-073
9	Lantern	1.4301	221-486.05
10	Square ring	1.4571K	221-313.01
11	Switch bar T.VIS M-1	PA	221-589.01
11.1	Switch bar T.VIS A-8/P-20	PA	221-589.39
15	Valve disk	1.4404	221-312.01
29*	O-ring	NBR	930-029
43	Clamp	1.4301	606-001
55	Venting screw	PP	221-004311
59	Guide ring	Turcite	935-050
60*	O-ring	NBR	930-693
61	Straight screw union	Brass/nickel-plated	933-330
98*	O-ring	NBR	930-046
99	Ring T.VIS/ECO	Noryl/GFN2	221-002396
101*	O-ring	NBR	930-251
129*	O-ring	NBR	930-026
139	Adapter T.VIS	1.4301	221-624.01
139.1	Adapter T.VIS A/P	1.4301	221-624.04
140	Actuator ECO	--	221-482.10
141	Adapter SHO	1.4301	221-561.01
198	Installation base T.VIS complete	--	221-589.32

Item	Designation	Material	DN 10/15
202	Plain bearing	IGLIDUR-G	704-041
391	Corner body 1/10 with 1 socket	1.4435	221-193.04
392	Corner body 2/10 with 2 socket	1.4435	221-194.03
391	Corner body 1/15 with 1 socket	1.4435	221-193.03
392	Corner body 2/15 with 2 socket	1.4435	221-194.04
409	Housing W1/DN10	1.4435	221-305.03
410	Housing W2/DN10	1.4435	221-306.03
409	Housing W1/DN15	1.4435	221-305.04
410	Housing W2/DN15	1.4435	221-306.04
B	Control top T.VIS A-15	See spare parts list control top A-15	
	Control Top T.VIS M-15	See spare parts list control top M-15	
	Control Top T.VIS P-15	See spare parts list control top P-15	

Table 1: Spare parts list - Valve type W / ECO (DN 10 - DN 15)

Spare parts list - manual actuator DN10/15

Item	Designation	Material	Material no.
9	Lantern NH (manual actuator)	1.4305	221-342.02
82	Handwheel NH	PPH 4150	221-342.06
83	Spindle NH	1.4301	221-342.04
84	Shim NH	1.4301	221-342.05
86	Guide ring	Turcite-B10	935-052

Table 2: Spare parts list - manual actuator DN10/15

GEA Tuchenhagen GmbH
Am Industriepark 2-10
21514 Büchen , Germany

Phone +49 4155 49-0

221ELI001379 Copyright © GEA Tuchenhagen - All rights reserved - Subject to modifications.