

3 ECOVENT® Type N/ECO DN10, DN15 21ELI001380

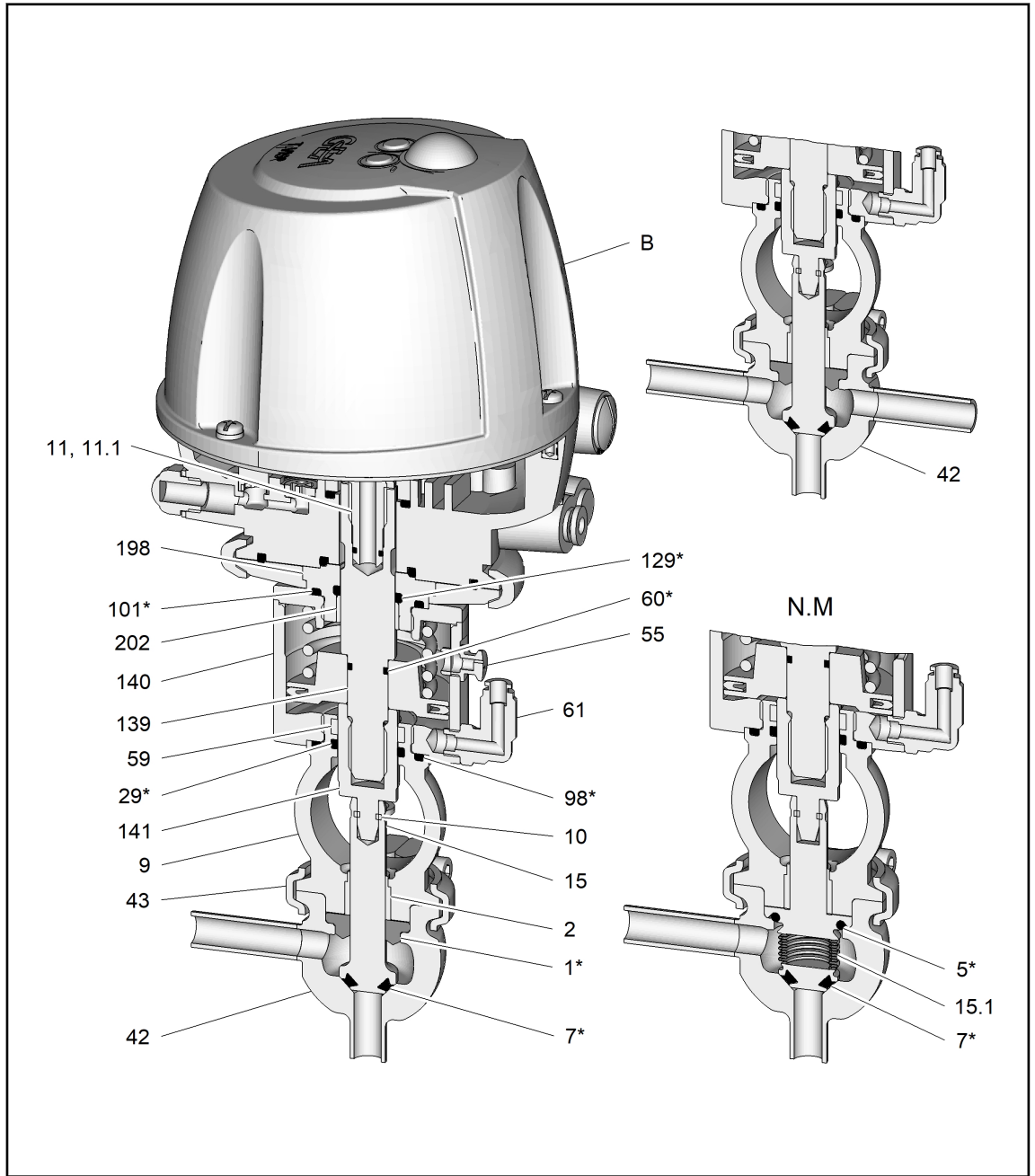


Figure 3-1 - Spare parts - Type N/ECO DN10, DN 15

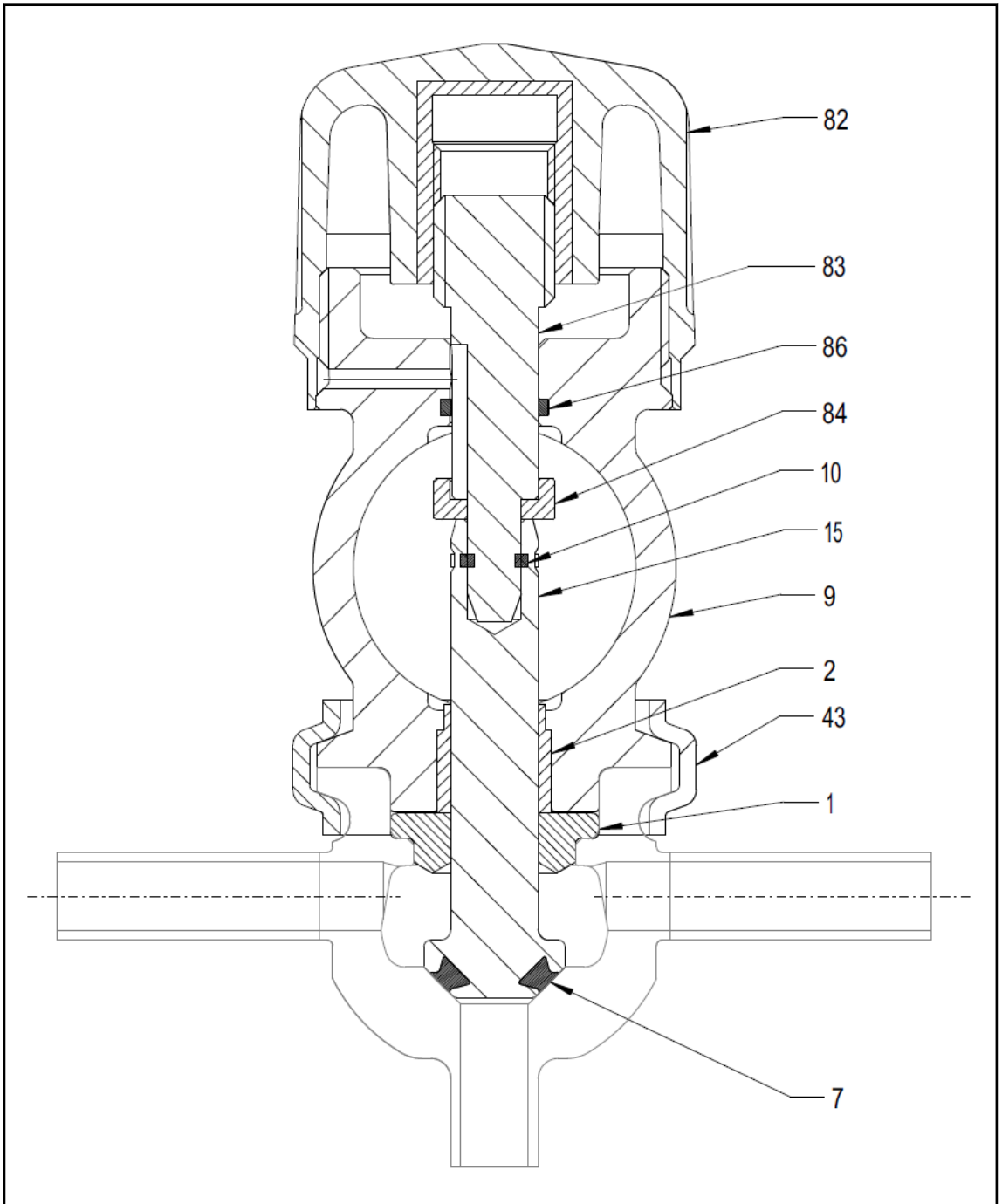


Figure 3-2 - Manual actuator NH

Spare parts list - Type N / ECO and N.M [DN 10, DN 15]

Item	Designation	Material	N_ECO DN 10/15	N.M DN 10/15
Seal set N.S		EPDM	221-304.44	--
		FKM	221-304.43	--
Seal set N.M		EPDM	--	221-001757
		FKM	--	221-001758

Item	Designation	Material	N_ECO DN 10/15	N.M DN 10/15
1*	Seal ring	EPDM	924-255	--
		FKM	924-297	--
2	Bearing	PTFE/carbon	935-037	935-037
	Bearing, 3A	PEEK	935-097	935-097
5*	O-ring	EPDM	--	930-270
		FKM	--	930-163
7*	V-ring	EPDM	932-064	932-064
		FKM	932-073	932-073
9	Lantern	1.4301	221-486.05	221-486.05
10	Square ring	1.4571K	221-313.01	221-313.01
11	Switch bar T.VIS M-15	PA	221-589.80	221-589.80
11.1	Switch bar T.VIS A-15/P-15	PA	221-589.75	221-589.75
15	Valve disk N	1.4404	221-311.01	--
15.1	Valve disk N.M	1.4404	--	221-315.13
29*	O-ring	NBR	930-029	930-029
42	Corner body 1/10 with 1 socket	1.4435	221-193.04	221-193.04
	Corner body 2/10 with 2 socket	1.4435	221-194.03	221-194.03
	Corner body 1/15 with 1 socket	1.4435	221-193.03	221-193.03
	Corner body 2/15 with 2 socket	1.4435	221-194.04	221-194.04
43	Clamp	1.4301	606-001	606-001
55	Venting screw	PP	221-004311	221-004311
59	Guide ring	Turcite	935-050	935-050
60*	O-ring	NBR	930-693	930-693
61	Elbow screw-in plug connection, metric G1/8"-6/4	Ms/nickel plated	933-475	933-475
	Elbow screw-in plug connection, imperial G1/8"-6.35		933-979	933-979
98*	O-ring	NBR	930-046	930-046
101*	O-ring	NBR	930-251	930-251
129*	O-ring	NBR	930-026	930-026

Item	Designation	Material	N_ECO DN 10/15	N.M DN 10/15
139	Adapter T.VIS M-15/A-15/P-15	1.4301	221-624.01	221-624.01
140	Actuator ECO	--	221-482.10	221-482.10
141	Adapter SHO	1.4301	221-561.01	221-561.01
198	Installation base T.VIS cpl.	--	221-589.32	221-589.32
202	Plain bearing	IGLIDUR-G	704-041	704-041
B	Control module T.VIS A-15	See spare parts list control module A-15		
	Control module T.VIS M-15	See spare parts list control module M-15		
	Control module T.VIS P-15	See spare parts list control module P-15		

Table 1: Spare parts list - Type N / ECO and N.M (DN 10, DN 15)

Spare parts list - manual actuator DN10/15

Item	Designation	Material	Material no.
9	Lantern NH (manual actuator)	1.4305	221-342.02
82	Handwheel NH	PPH 4150	221-342.06
83	Spindle NH	1.4301	221-342.04
84	Shim NH	1.4301	221-342.05
86	Guide ring	Turcite-B10	935-052

Table 2: Spare parts list - manual actuator DN10/15

GEA Tuchenhagen GmbH
Am Industriepark 2-10
21514 Büchen , Germany

Phone +49 4155 49-0

221ELI001380 Copyright © GEA Tuchenhagen - All rights reserved - Subject to modifications.