

Spare parts list - shuttle valve W_ECO

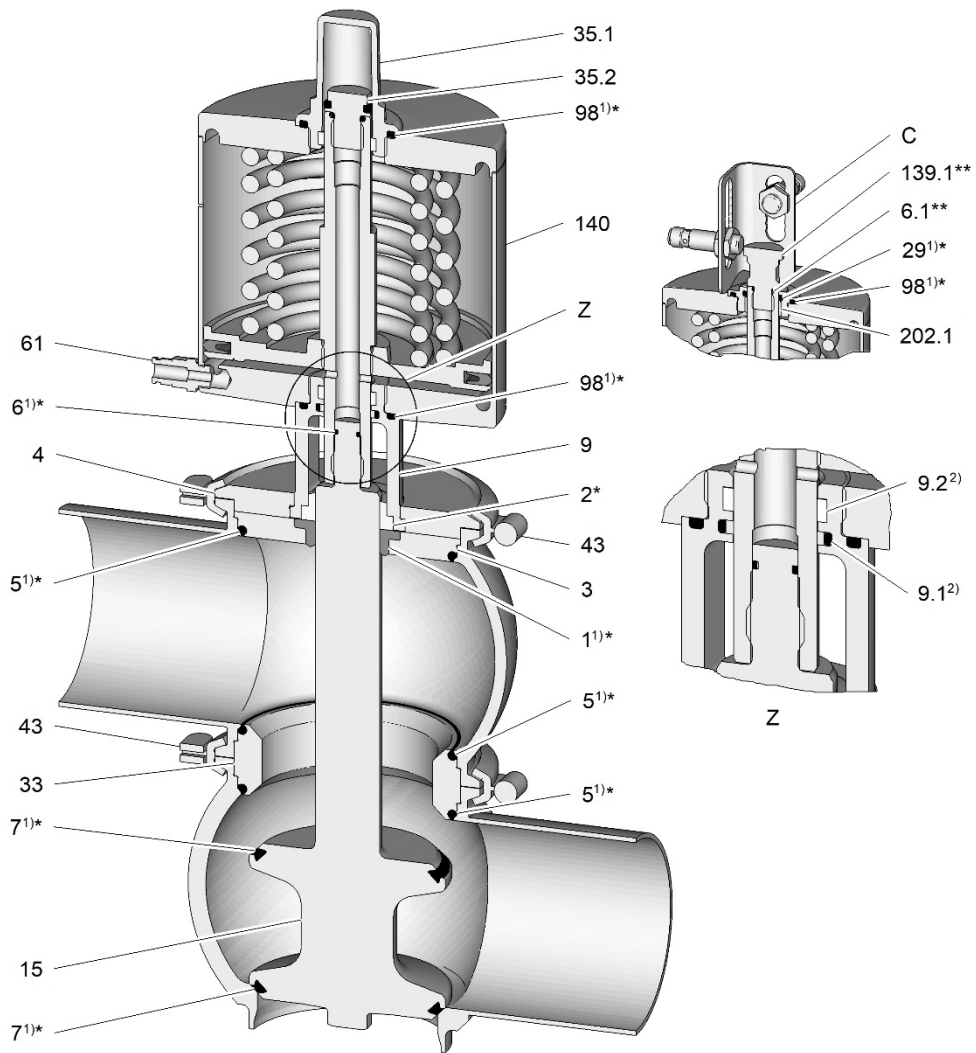


Fig.1

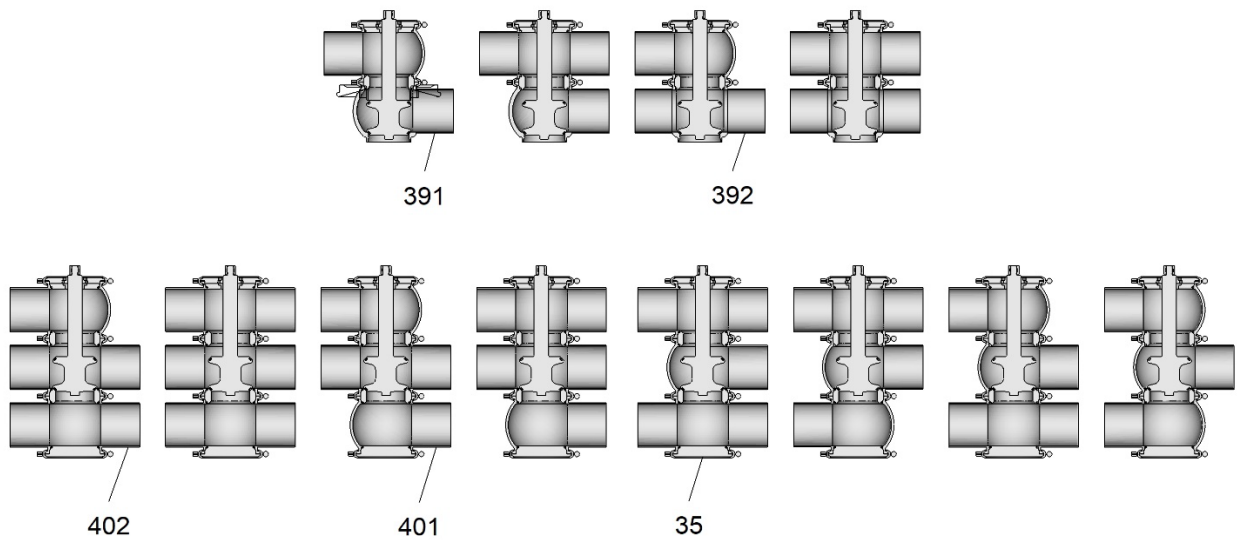


Fig.: Housing combinations

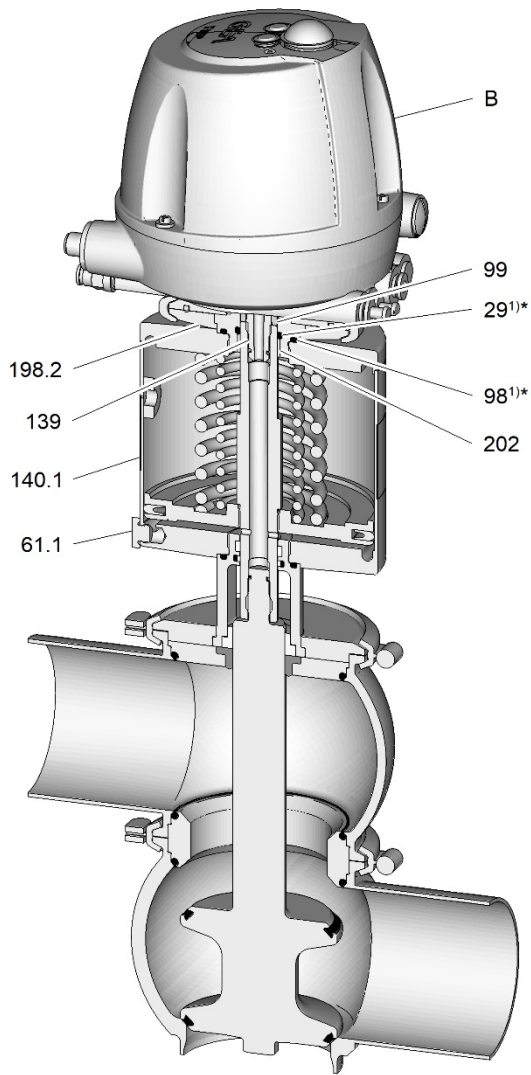


Fig.3: with control top T.VIS

Spare parts list - shuttle valve

Item	Designation	Material	DN 25	DN 40	DN 50	DN 65	DN 80	DN 100
Sealing set complete 1)		EPDM	221-001326	221-001327	221-001327	221-001328	221-001328	221-001329
		FKM	221-001330	221-001331	221-001331	221-001332	221-001332	221-001333
		HNBR	221-001334	221-001335	221-001335	221-001336	221-001336	221-001337
1) 1*	Seal ring	EPDM	924-085	924-085	924-085	924-085	924-085	924-085
		FKM	924-083	924-083	924-083	924-083	924-083	924-083
		HNBR	924-313	924-313	924-313	924-313	924-313	924-313
2*	Bearing	PTFE/ carbon	935-088	935-088	935-088	935-088	935-088	935-088
	Bearing, 3A	PEEK	935-100	935-100	935-100	935-100	935-100	935-100
3	Seal disk	1.4404	221)141.13	221)496.02	221)496.02	221)486.01	221)496.01	221)141.15
4	Locking ring	1.4301	221)641.01	221)641.02	221)641.02	221)641.03	221)641.03	221)641.04
1) 5*	O-ring	EPDM	930-309	930-144	930-144	930-150	930-150	930-156
		FKM	930-168	930-171	930-171	930-176	930-176	930-178
		HNBR	930-632	930-633	930-633	930-634	930-634	930-863
1) 6*	O-ring	NBR	930-004	930-004	930-004	930-004	930-004	930-004
1) ***7*	V-ring	EPDM	932-046	932-021	932-021	932-024	932-024	932-028
		FKM	932-030	932-033	932-033	932-035	932-035	932-039
		HNBR	932-087	932-088	932-088	932-090	932-090	932-100
9	Lantern	1.4301	221)638.08	221)638.08	221)638.08	221)638.08	221)638.08	221)638.08
2) 9.1	Turcon Glyd Ring RT01 (cpl. with O-Ring)	T40N	930-986	930-986	930-986	930-986	930-986	930-986
2) 9.2	Guide ring	Turcite-T51	935-018	935-018	935-018	935-018	935-018	935-018
15	Valve disk	1.4404	221)640.02	221)640.04	221)640.06	221)640.08	221)640.10	221)640.12
33	Seat ring	1.4404	221-107.01	221-107.02	221-107.02	221-107.03	221-107.03	221-107.04
35	Blanking plate	1.4404	221-144.01	221-144.02	221-144.02	221-144.03	221-144.03	221-144.04
35.1	Blanking plate ECO-E	--	221)643.23	221)643.23	221)643.23	221)643.23	221)643.23	221)643.23
35.2	Screw plug ECO-E	--	221)643.24	221)643.24	221)643.24	221)643.24	221)643.24	221)643.24
43	Clamp join KL	1.4401	221-507.02	221-507.04	221-507.04	221-507.09	221-507.09	221-507.11
61	Screw-in fitting connection G 1/8"-6/4	Brass/nickel-plated	933-330	933-330	933-330	933-330	933-330	933-330
	Screw-in fitting connection G 1/8"-6.35/4.31	Brass/nickel-plated	933-144	933-144	933-144	933-144	933-144	933-144
61.1	Locking screw with O-ring	1.4404/NBR	922-316	922-316	922-316	922-316	922-316	922-316
1) 98*	O-ring	NBR	930-046	930-046	930-046	930-046	930-046	930-046
99	Ring T.VIS/ECO (only for switch bar T.VIS A-15/P-15 material no. 221*-589.75)	Noryl GFN2	221-002396	221-002396	221-002396	221-002396	221-002396	221-002396
139	Switch bar control top T.VIS M-15	PA6/GK30/KONDI T.	221)589.79	221)589.79	221)589.79	221)589.79	221)589.79	221)589.79
	Switch bar for control top T.VIS A-15/P-15	PA6/GK30	221)589.75	221)589.75	221)589.75	221)589.75	221)589.75	221)589.75

Spare parts list - shuttle valve

Item	Designation	Material	DN 25	DN 40	DN 50	DN 65	DN 80	DN 100
140	Actuator ECO-E/US	--	221)642.16	221)642.17	221)642.17	221)642.20	221)642.20	221)642.23
140.1	Actuator ECO-E pneumatic	--	221)642.01	221)642.02	221)642.02	221)642.03	221)642.03	221)642.04
182	Adapter RM7/ECO-E	1.4305	221)643.08	221)643.08	221)643.08	221)643.08	221)643.08	221)643.08
198.2	Installation base T.VIS/ ECO-E cpl.	1.4305/PA6/6	221)589.32	221)589.32	221)589.32	221)589.32	221)589.32	221)589.32
202	Plain bearing	IGLIDUR G	704-041	704-041	704-041	704-041	704-041	704-041
391	Corner body, 1 socket	1.4404	221)636.01	221)636.02	221)636.03	221)636.04	221)636.05	221)636.14
392	Corner body, 2 sockets	1.4404	221)637.01	221)637.02	221)637.03	221)637.04	221)637.05	221)637.14
401	Housing V1	1.4404	221-101.19	221-101.21	221-101.22	221-101.05	221-101.06	221-101.07
402	Housing V2	1.4404	221-102.41	221-102.43	221-102.44	221-102.05	221-102.06	221-102.07
B	Control top T.VIS®	See parts list for control top T.VIS®						
**	Mounting for proximity switch ECO-E cpl.		221)643.05					
	C	Mounting for proximity switch ECO-E cpl.	1.4301	221)643.04				
	6.1*	O-ring	NBR	930-005				
	1) 29*	O-ring	NBR	930-026				
	1) 98*	O-ring	NBR	930-046				
	139.1**	Switch bar	1.4305	221)643.01				
	202.1	Plain bearing	IGLIDUR-G	704-041				
	Grease RIVOLTA F.L.G. 100g tube not included with sealing set.			413-136				
<p>1) The sealing set includes the items 1, 5, 6, 7, 29 and 98 * Items marked with an * are wearing parts ** Item 139.1 is not included in the complete proximity switch holder and must be ordered separately *** Do not grease Item 7 2) Pos. 9.1 and 9.2 contained in Pos. 9</p>								

Spare parts list - shuttle valve

Item	Designation	Material	1" OD	1.5" OD	2" OD	2.5" OD	3" OD	4" OD
Sealing set complete 1)		EPDM	221-001326	221-001327	221-001327	221-001328	221-001328	221-001329
		FKM	221-001330	221-001331	221-001331	221-001332	221-001332	221-001333
		HNBR	221-001334	221-001335	221-001335	221-001336	221-001336	221-001337
1) 1*	Seal ring	EPDM	924-085	924-085	924-085	924-085	924-085	924-085
		FKM	924-083	924-083	924-083	924-083	924-083	924-083
		HNBR	924-313	924-313	924-313	924-313	924-313	924-313
2*	Bearing	PTFE/ carbon	935-088	935-088	935-088	935-088	935-088	935-088
	Bearing, 3A	PEEK	935-100	935-100	935-100	935-100	935-100	935-100
3	Seal disk	1.4404	221)141.13	221)496.02	221)496.02	221)486.01	221)496.01	221)141.15
4	Locking ring	1.4301	221)641.01	221)641.02	221)641.02	221)641.03	221)641.03	221)641.04
1) 5*	O-ring	EPDM	930-309	930-144	930-144	930-150	930-150	930-156
		FKM	930-168	930-171	930-171	930-176	930-176	930-178
		HNBR	930-632	930-633	930-633	930-634	930-634	930-863
1) 6*	O-ring	NBR	930-004	930-004	930-004	930-004	930-004	930-004
1) ***7*	V-ring	EPDM	932-046	932-021	932-021	932-024	932-024	932-028
		FKM	932-030	932-033	932-033	932-035	932-035	932-039
		HNBR	932-087	932-088	932-088	932-090	932-090	932-100
9	Lantern	1.4301	221)638.08	221)638.08	221)638.08	221)638.08	221)638.08	221)638.08
2) 9.1	Turcon Glyd Ring RT01 (cpl. with O-Ring)	T40N	930-986	930-986	930-986	930-986	930-986	930-986
2) 9.2	Guide ring	Turcite-T51	935-018	935-018	935-018	935-018	935-018	935-018
15	Valve disk	1.4404	221)640.01	221)640.03	221)640.05	221)640.07	221)640.09	221)640.11
33	Seat ring	1.4404	221-107.01	221-107.02	221-107.02	221-107.03	221-107.03	221-107.04
35	Blanking plate	1.4404	221-144.01	221-144.02	221-144.02	221-144.03	221-144.03	221-144.04
35.1	Blanking plate ECO-E	--	221)643.23	221)643.23	221)643.23	221)643.23	221)643.23	221)643.23
35.2	Screw plug ECO-E	--	221)643.24	221)643.24	221)643.24	221)643.24	221)643.24	221)643.24
43	Clamp join KL	1.4401	221-507.02	221-507.04	221-507.04	221-507.09	221-507.09	221-507.11
61	Screw-in fitting connection G 1/8"-6/4	Brass/nickel-plated	933-330	933-330	933-330	933-330	933-330	933-330
	Screw-in fitting connection G 1/8"-6.35/4.31	Brass/nickel-plated	933-144	933-144	933-144	933-144	933-144	933-144
61.1	Locking screw with O-ring	1.4404/ NBR	922-316	922-316	922-316	922-316	922-316	922-316
1) 98*	O-ring	NBR	930-046	930-046	930-046	930-046	930-046	930-046
99	Ring T.VIS/ECO (only for switch bar T.VIS A-15/P-15 material no. 221*589.75)	Noryl GFN2	221-002396	221-002396	221-002396	221-002396	221-002396	221-002396
139	Switch bar control top T.VIS M-15	PA6/ GK30/ KONDI T.	221)589.79	221)589.79	221)589.79	221)589.79	221)589.79	221)589.79
	Switch bar for control top T.VIS A-15/P-15	PA6/ GK30	221)589.75	221)589.75	221)589.75	221)589.75	221)589.75	221)589.75

Spare parts list - shuttle valve

Item	Designation	Material	1" OD	1.5" OD	2" OD	2.5" OD	3" OD	4" OD
140	Actuator ECO-E/US	--	221)642.16	221)642.17	221)642.17	221)642.20	221)642.20	221)642.23
140.1	Actuator ECO-E pneumatic	--	221)642.01	221)642.02	221)642.02	221)642.03	221)642.03	221)642.04
182	Adapter RM7/ECO-E	1.4305	221)643.08	221)643.08	221)643.08	221)643.08	221)643.08	221)643.08
198.2	Installation base T.VIS/ECO-E cpl.	1.4305/PA6/6	221)589.32	221)589.32	221)589.32	221)589.32	221)589.32	221)589.32
202	Plain bearing	IGLIDUR G	704-041	704-041	704-041	704-041	704-041	704-041
391	Corner body, 1 socket	1.4404	221)636.06	221)636.07	221-636.08	221-636.09	221)636.10	221)636.13
392	Corner body, 2 sockets	1.4404	221)637.06	221)637.07	221-637.08	221)637.09	221)637.10	221)637.13
401	Housing V1	1.4404	221-101.27	221-101.28	221-101.29	221-101.30	221-101.31	221-101.32
402	Housing V2	1.4404	221-102.52	221-102.53	221-102.54	221-102.55	221-102.56	221-102.57
B	Control top T.VIS®	See parts list for control top T.VIS®						
** Mounting for proximity switch ECO-E cpl. 221)643.05								
C	Mounting for proximity switch ECO-E cpl.	1.4301	221)643.04					
6.1*	O-ring	NBR	930-005					
1) 29*	O-ring	NBR	930-026					
1) 98*	O-ring	NBR	930-046					
139.1**	Switch bar	1.4305	221)643.01					
202.1	Plain bearing	IGLIDUR-G	704-041					
Grease RIVOLTA F.L.G. 100g tube not included with sealing set.				413-136				
<p>1) The sealing set includes the items 1, 5, 6, 7, 29 and 98 * Items marked with an * are wearing parts ** Item 139.1 is not included in the complete proximity switch holder and must be ordered separately *** Do not grease Item 7 2) Pos. 9.1 and 9.2 contained in Pos. 9</p>								

Spare parts list - shuttle valve

Sealing sets for ECOVENT® shuttle valve W							
Item	Qty.	Designation	Material	DN 25 1"	DN 40/50 1,5"/2"	DN 65/80 2,5"/3"	DN 100 4"
Sealing set complete			EPDM	221-001326	221-001327	221-001328	221-001329
			FKM	221-001330	221-001331	221-001332	221-001333
			HNBR	221-001334	221-001335	221-001336	221-001337
1	1	Seal ring	Ø	28	28	28	28
			EPDM	924-085	924-085	924-085	924-085
			FKM	924-083	924-083	924-083	924-083
			HNBR	924-313	924-313	924-313	924-313
5	6	O-ring	Ø	42 x 3	60 x 3	85 x 4	113 x 4
			EPDM	930-309	930-144	930-150	930-156
			FKM	930-168	930-171	930-176	930-178
			HNBR	930-632	930-633	930-634	930-863
6	1	O-ring	Ø	8 x 1.6	8 x 1.6	8 x 1.6	8 x 1.6
			NBR	930-004	930-004	930-004	930-004
***7	2	V-ring	Ø	35-5	52-6	76-6	104-6
			EPDM	932-046	932-021	932-024	932-028
			FKM	932-030	932-033	932-035	932-039
			HNBR	932-087	932-088	932-090	932-100
29	1	O-ring	Ø	20 x 3	20 x 3	20 x 3	20 x 3
			NBR	930-026	930-026	930-026	930-026
98	2	O-ring	Ø	34 x 3	34 x 3	34 x 3	34 x 3
			NBR	930-046	930-046	930-046	930-046
Grease RIVOLTA F.L.G. 100g tube not included with sealing set						413-136	
*** Do not grease Item 7							
<p>Advice on storage: storage in accordance with DIN 7716 Relative humidity approx. 65%, temperature 15–25°C and stored away from the light. Observe the notes in the instruction manual when replacing the seals!</p>							
429-027							