

### 3 ECOVENT® Type N/ECO 221ELI011012

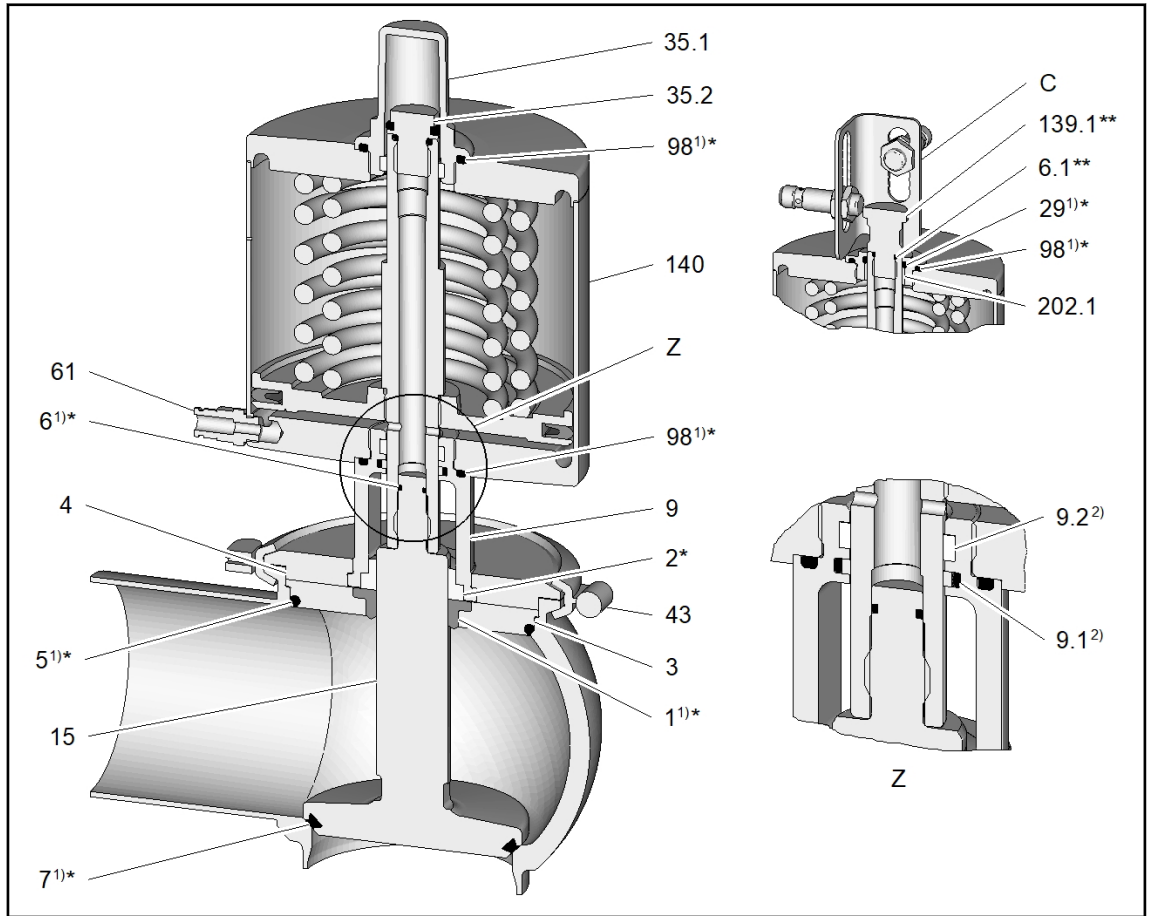
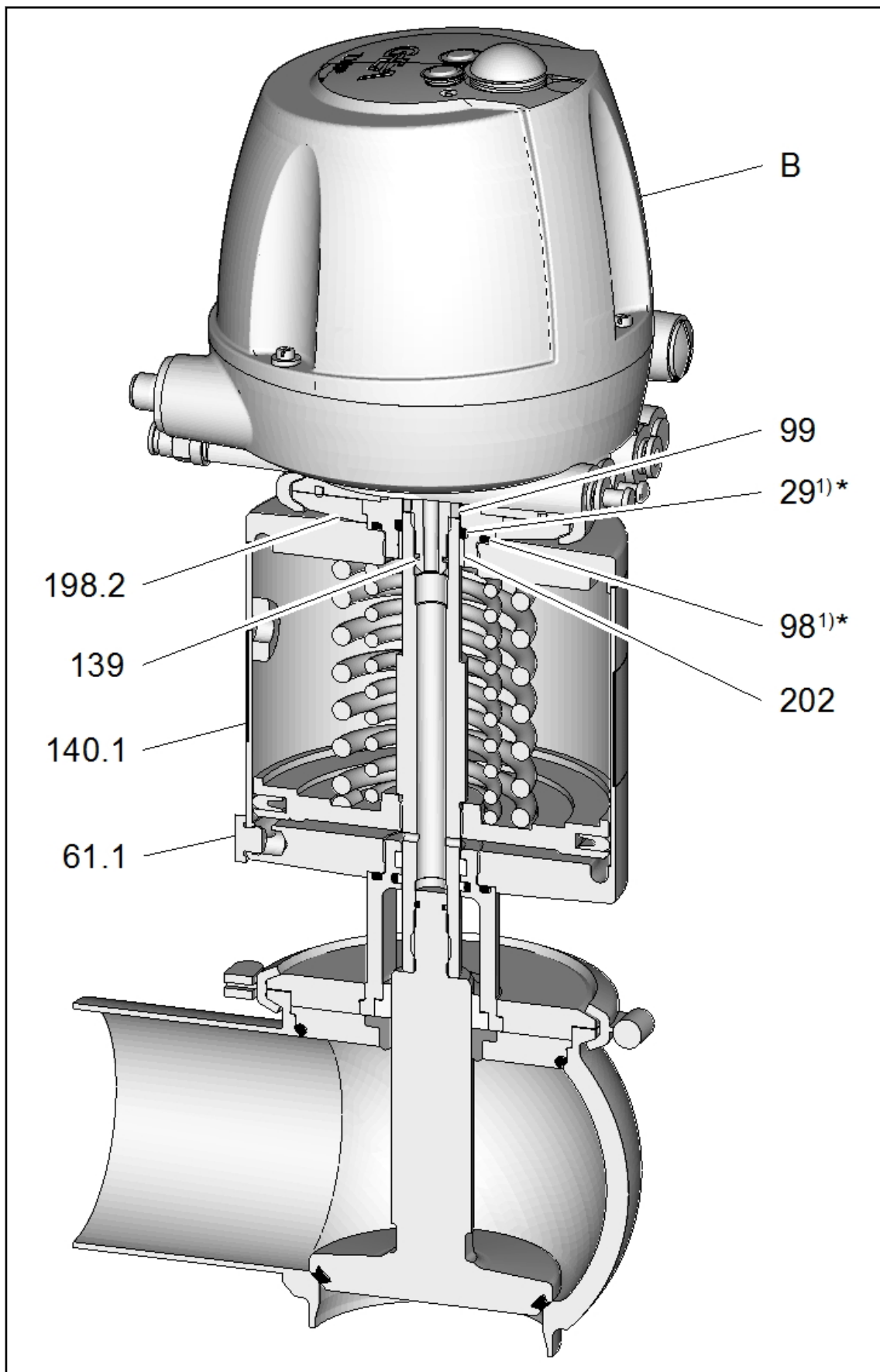
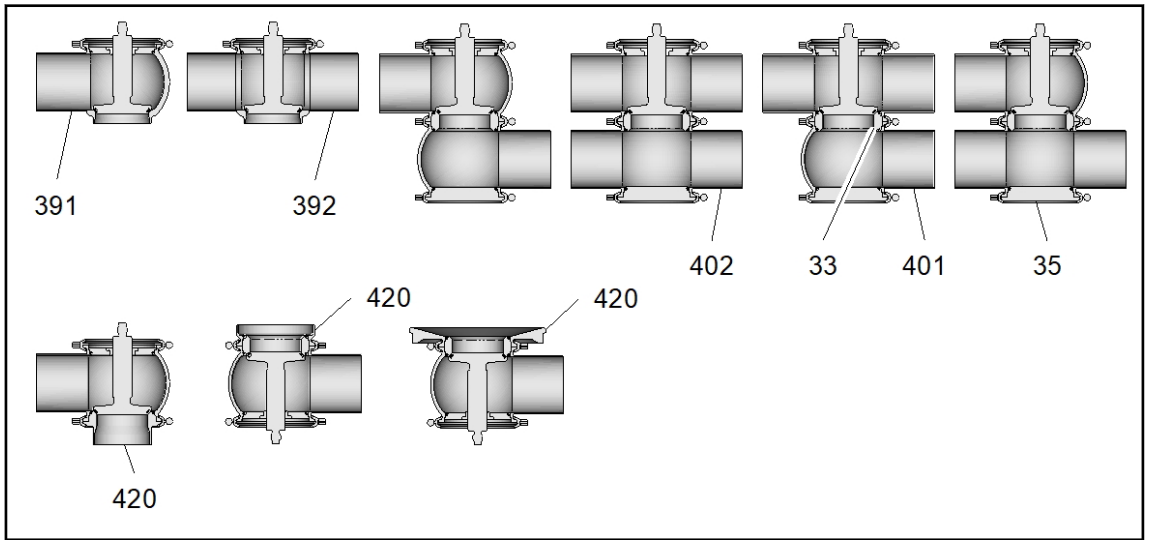


Figure 3-1 - Spare parts - Type N / ECO





Spare parts list - Type N / ECO [DN]

Item	Designation	Material	DN 25	DN 40	DN 50	DN 65	DN 80	DN 100
Seal set complete 1)								
		EPDM	221-001314	221-001315	221-001315	221-001316	221-001316	221-001317
		FKM	221-001318	221-001319	221-001319	221-001320	221-001320	221-001321
		HNBR	221-001322	221-001323	221-001323	221-001324	221-001324	221-001325
1) The seal set includes items 1, 5, 6, 7, 29 and 98								
* Items marked with an * are wearing parts								
** Item 139.1 is not included in the complete proximity switch holder and must be ordered separately								
*** Do not grease item 7								
2) Items 9.1 and 9.2 included in item 9								
1) 1*	Seal ring	EPDM	924-085	924-085	924-085	924-085	924-085	924-085
		FKM	924-083	924-083	924-083	924-083	924-083	924-083
		HNBR	924-313	924-313	924-313	924-313	924-313	924-313
2	Bearing	PTFE/carbon	935-088	935-088	935-088	935-088	935-088	935-088
	Bearing, 3A	PEEK	935-100	935-100	935-100	935-100	935-100	935-100
3	Seal disk	1.4404	221-141.13	221-496.02	221-496.02	221-496.01	221-496.01	221-141.15
4	Locking ring	1.4301	221-641.01	221-641.02	221-641.02	221-641.03	221-641.03	221-641.04
1) 5*	O-ring	EPDM	930-309	930-144	930-144	930-150	930-150	930-156
		FKM	930-168	930-171	930-171	930-176	930-176	930-178
		HNBR	930-632	930-633	930-633	930-634	930-634	930-863
1) 6*	O-ring	NBR	930-004	930-004	930-004	930-004	930-004	930-004
1)	V-ring	EPDM	932-046	932-021	932-021	932-024	932-024	932-028
****7*		FKM	932-030	932-033	932-033	932-035	932-035	932-039





Item	Designation	Material	DN 25	DN 40	DN 50	DN 65	DN 80	DN 100
	Control top T.VIS®		See spare parts list for control top T.VIS®					
**	Mounting for proximity switch ECO-E complete		221-643.05					
	Grease RIVOLTA F.L.G. 100g tube not included with seal set.		413-136					

Table 1: Spare parts list - Type N / ECO (DN 25 - DN 100)

Mounting for proximity switch ECO-E complete

Item	Designation	Material	Material no.
C	Mounting for proximity switch ECO-E complete	1,4301	221-643.04
6.1*	O-ring	NBR	930-005
1) 29*	O-ring	NBR	930-026
1) 98*	O-ring	NBR	930-046
139.1**	Switch bar	1,4305	221-643.01
202.1	Plain bearing	IGLIDUR-G	704-041
	Grease RIVOLTA F.L.G. 100g tube not included with seal set.		413-136

## Spare parts list - Type N / ECO [OD]

Item	Designation	Material	1" OD	1.5" OD	2" OD	2.5" OD	3" OD	4" OD
Seal set complete 1)								
		EPDM	221-001314	221-001315	221-001315	221-001316	221-001316	221-001317
		FKM	221-001318	221-001319	221-001319	221-001320	221-001320	221-001321
		HNBR	221-001322	221-001323	221-001323	221-001324	221-001324	221-001325
1) The seal set includes items 1, 5, 6, 7, 29 and 98 * Items marked with an * are wearing parts ** Item 139.1 is not included in the complete proximity switch holder and must be ordered separately *** Do not grease item 7 2) Items 9.1 and 9.2 included in item 9								
1) 1*	Seal ring	EPDM	924-085	924-085	924-085	924-085	924-085	924-085
		FKM	924-083	924-083	924-083	924-083	924-083	924-083
		HNBR	924-313	924-313	924-313	924-313	924-313	924-313
2	Bearing	PTFE/carbon	935-088	935-088	935-088	935-088	935-088	935-088
	Bearing, 3A	PEEK	935-100	935-100	935-100	935-100	935-100	935-100
3	Seal disk	1.4404	221-141.13	221-496.02	221-496.02	221-496.01	221-496.01	221-141.15
4	Locking ring	1.4301	221-641.01	221-641.02	221-641.02	221-641.03	221-641.03	221-641.04
1) 5*	O-ring	EPDM	930-309	930-144	930-144	930-150	930-150	930-156
		FKM	930-168	930-171	930-171	930-176	930-176	930-178
		HNBR	930-632	930-633	930-633	930-634	930-634	930-863
1) 6*	O-ring	NBR	930-004	930-004	930-004	930-004	930-004	930-004
1)	V-ring	EPDM	932-046	932-021	932-021	932-024	932-024	932-028
****7*		FKM	932-030	932-033	932-033	932-035	932-035	932-039





Item	Designation	Material	1" OD	1.5" OD	2" OD	2.5" OD	3" OD	4" OD
	Control top T.VIS®		See spare parts list for control top T.VIS®					
**	Mounting for proximity switch ECO-E complete		221-643.05					
	Grease RIVOLTA F.L.G. 100g tube not included with seal set.		413-136					

Table 2: Spare parts list - Type N / ECO (OD 1" - OD 4")

## Mounting for proximity switch ECO-E complete

Item	Designation	Material	Material no.
C	Mounting for proximity switch ECO-E complete	1,4301	221-643.04
6.1*	O-ring	NBR	930-005
1) 29*	O-ring	NBR	930-026
1) 98*	O-ring	NBR	930-046
139.1**	Switch bar	1,4305	221-643.01
202.1	Plain bearing	IGLIDUR-G	704-041
	Grease RIVOLTA F.L.G. 100g tube not included with seal set.		413-136

**GEA Tuchenhagen GmbH**  
**Am Industriepark 2-10**  
**21514 Büchen , Germany**

**Phone +49 4155 49-0**

221ELI011012 Copyright © GEA Tuchenhagen - All rights reserved - Subject to modifications.