

1 Spare parts list - Flow Diversion Device with M-15/FDD or T.VIS M-20/FDD

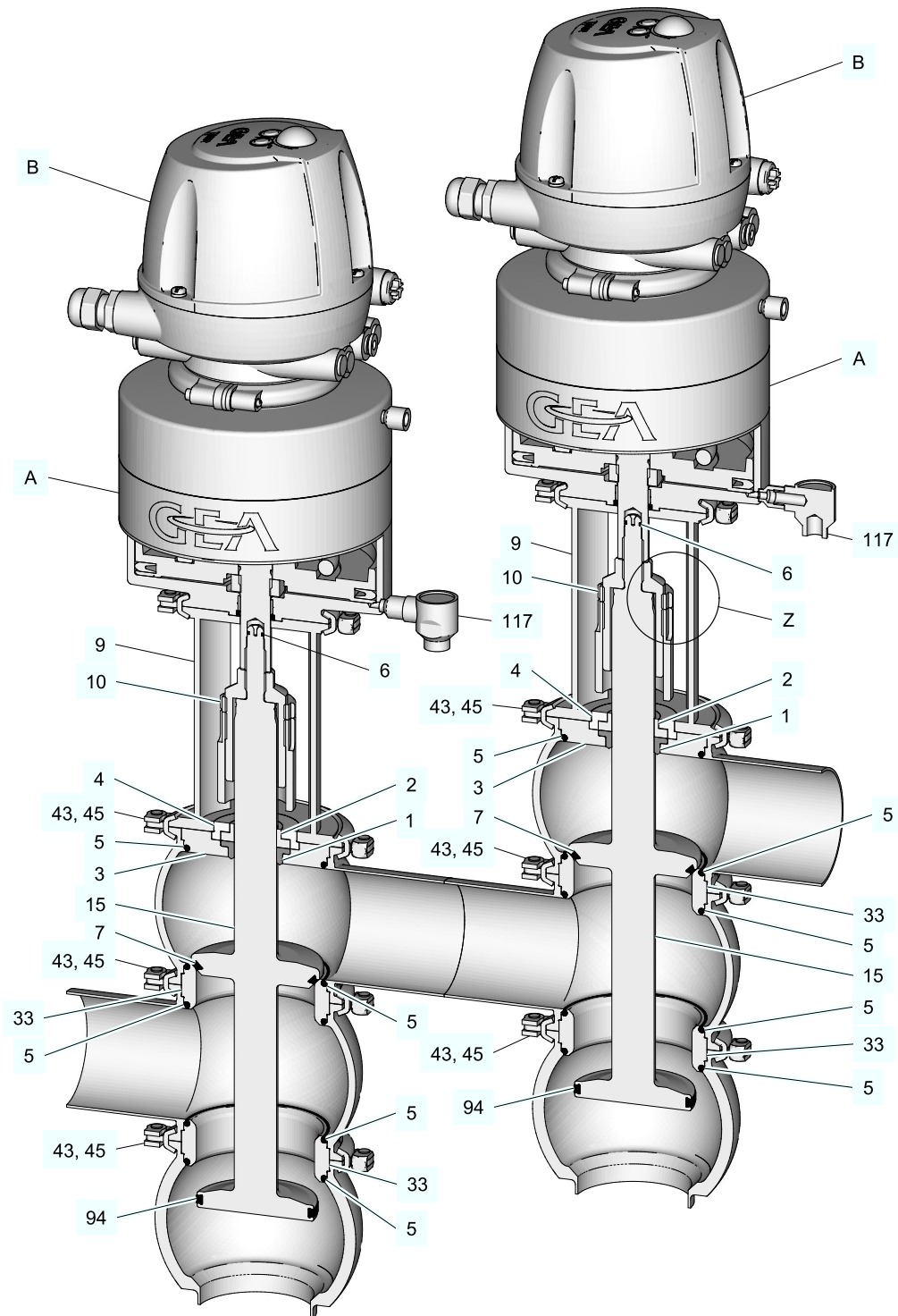


Fig.1

Spare parts list - Flow Diversion Device with M-15/FDD or T.VIS M-20/FDD

| Item | Designation | Material | 1" OD | 1.5" OD | 2" OD | 2.5" OD | 3" OD | 4" OD |
|------|--|---|------------|------------|------------|------------|------------|------------|
| 1 | Seal ring | EPDM | 924-084 | 924-084 | 924-084 | 924-085 | 924-085 | 924-085 |
| | | FKM | 924-082 | 924-082 | 924-082 | 924-083 | 924-083 | 924-083 |
| 2 | Bearing | PTFE/carbon | 935-001 | 935-001 | 935-001 | 935-002 | 935-002 | 935-002 |
| 3 | Seal disk | 1.4404 | 221-141.01 | 221-141.02 | 221-141.02 | 221-141.03 | 221-141.03 | 221-141.04 |
| 4 | Bearing disc | 1.4301 | 221-142.01 | 221-142.02 | 221-142.02 | 221-142.03 | 221-142.03 | 221-142.03 |
| 5 | O-ring | EPDM | 930-309 | 930-144 | 930-144 | 930-150 | 930-150 | 930-156 |
| | | FKM | 930-168 | 930-171 | 930-171 | 930-176 | 930-176 | 930-178 |
| 6 | O-ring | NBR | 930-004 | 930-004 | 930-004 | 930-004 | 930-004 | 930-004 |
| 7 | V-ring | EPDM | 932-046 | 932-021 | 932-021 | 932-024 | 932-024 | 932-028 |
| | | FKM | 932-030 | 932-033 | 932-033 | 932-035 | 932-035 | 932-039 |
| 9 | Lantern | 1.4301 | 221-121.01 | 221-121.07 | 221-121.07 | 221-121.08 | 221-121.08 | 221-121.09 |
| 10 | Limit stop N | 1.4404/1.4301 | 221-156.13 | 221-156.13 | 221-156.13 | 221-156.01 | 221-156.01 | 221-156.01 |
| 15 | Valve plate X_R | 1.4404 | 221-700.06 | 221-700.05 | 221-700.04 | 221-700.03 | 221-700.01 | 221-700.02 |
| 33 | Seat ring X_R | 1.4404 | 221-699.04 | 221-699.03 | 221-699.03 | 221-699.01 | 221-699.01 | 221-699.02 |
| 35 | Blanking plate N | 1.4404 | 221-144.01 | 221-144.02 | 221-144.02 | 221-144.03 | 221-144.03 | 221-144.04 |
| 43 | Hinged clamp | 1.4401 | 701-074 | 701-075 | 701-075 | 701-076 | 701-076 | 701-077 |
| 45 | Hexagon nut | 1.4305 | 912-035 | 912-035 | 912-035 | 912-036 | 912-036 | 912-036 |
| 94 | V-ring RA | EPDM | 221-365.13 | 221-365.07 | 221-365.07 | 221-365.08 | 221-365.08 | 221-365.09 |
| | | FKM | 221-365.21 | 221-365.10 | 221-365.10 | 221-365.11 | 221-365.11 | 221-365.12 |
| 117 | Quick bleed valve G1/8" | Al | 603-038 | 603-038 | 603-038 | 603-038 | 603-038 | 603-038 |
| 401 | Housing V1 | 1.4404 | 221-101.27 | 221-101.28 | 221-101.29 | 221-101.30 | 221-101.31 | 221-101.32 |
| 403 | Housing connection X | 1.4404 | 221-672.06 | 221-672.03 | 221-672.04 | 221-672.01 | 221-672.02 | 221-672.05 |
| 450 | Spacer | 1.4301 | 221-105.32 | | | | | |
| A | Actuator Z/FDD | See spare parts list for actuator Z/FDD | | | | | | |
| B | Control top T.VIS M-15/FDD or T.VIS M-20/FDD | See spare parts list for control top T.VIS M-15/FDD or T.VIS M-20/FDD | | | | | | |

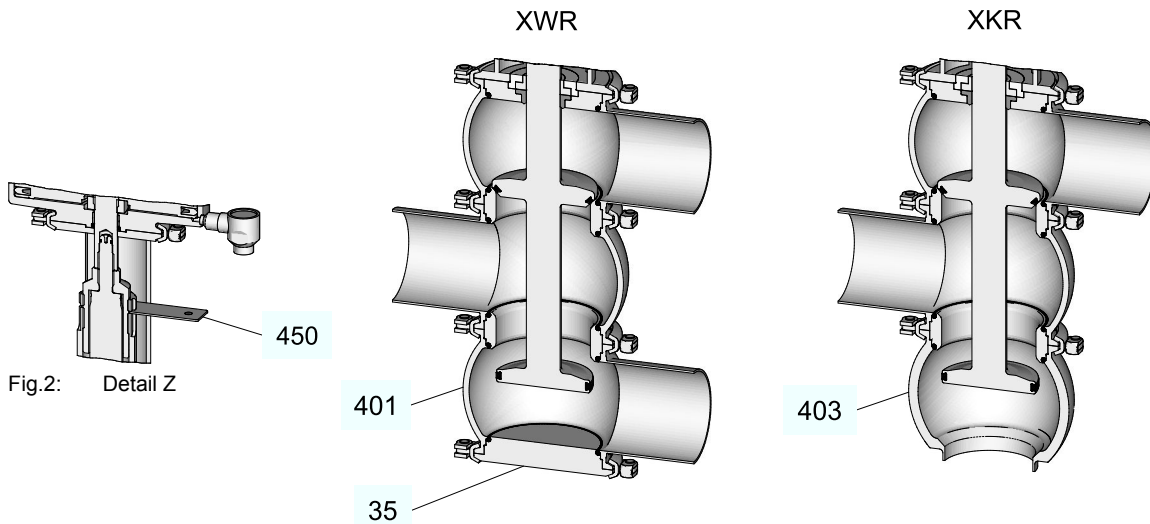


Fig.2: Detail Z

Fig.3: Housing combinations