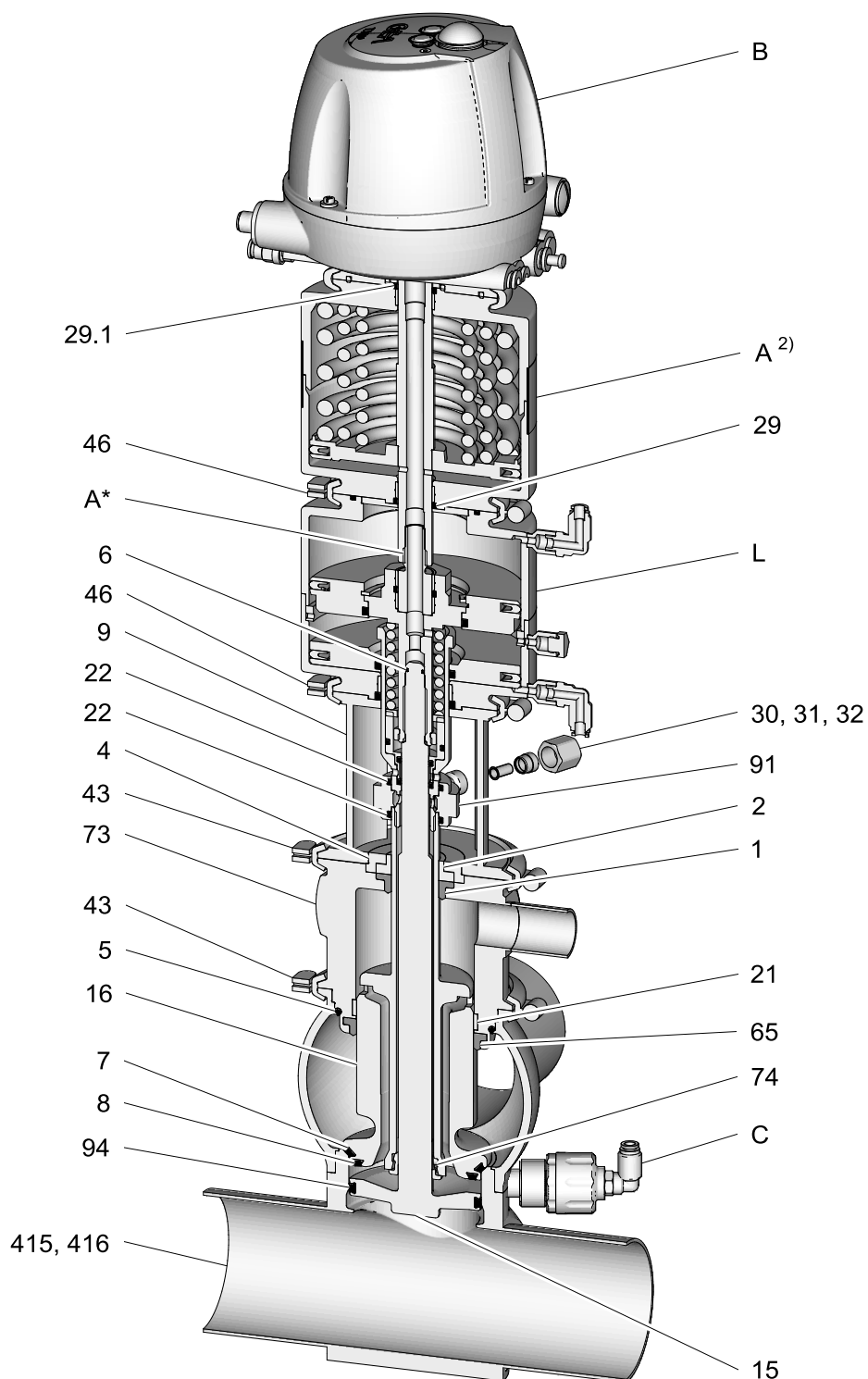
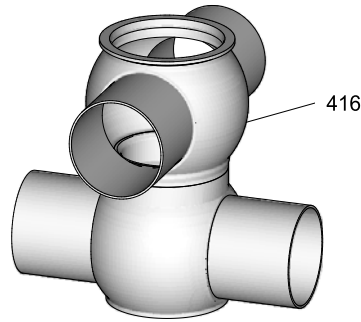
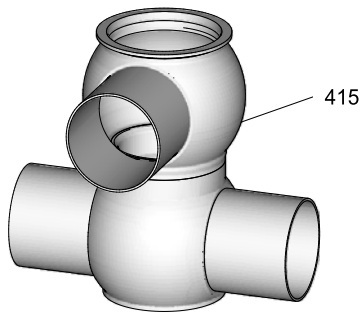


Mixproof Valve L_SL





Housing combinations

Spare Parts List – Metric Sizes

Item	Designation	Material	DN 40	DN 50	DN 65	DN 80	DN 100
Sealing set, complete		EPDM FKM	221-001184 221-001185	221-001184 221-001185	221-001186 221-001187	221-001186 221-001187	221-001188 221-001189
1	Sealing ring	EPDM FKM	924-085 924-083	924-085 924-083	924-085 924-083	924-085 924-083	924-085 924-083
2	Bearing Bearing, 3A	PTFE/carbon SUSTA- PVDF	935-002 935-099	935-002 935-099	935-002 935-099	935-002 935-099	935-002 935-099
4	Bearing disk	1.4301	221-142.03	221-142.03	221-142.03	221-142.03	221-142.03
5	O-ring	EPDM FKM	930-144 930-171	930-144 930-171	930-150 930-176	930-150 930-176	930-156 930-178
6	O-ring	NBR	930-004	930-004	930-004	930-004	930-004
**7	V-ring	EPDM FKM	932-021 932-033	932-021 932-033	932-024 932-035	932-024 932-035	932-028 932-039
**8	V-ring	EPDM FKM	932-019 932-032	932-019 932-032	932-023 932-034	932-023 932-034	932-027 932-038
9	Lantern	1.4301	221-236.16	221-236.16	221-236.02	221-236.02	221-236.03
15	Valve disk T_R	1.4404	221-000673	221-000666	221-000650	221-000680	221-000644
16	Double-disk T_R	1.4404	221-000676	221-000669	221-000663	221-000679	221-000647
21	Guide ring	Turcite	935-056	935-056	935-042	935-042	935-043
21	Guide ring 3A	MF6	935-117	935-117	935-113	935-113	935-114
22	O-ring	EPDM FKM	930-243 930-244	930-243 930-244	930-243 930-244	930-243 930-244	930-243 930-244
30	Cap nut	1.4571	933-456	933-456	933-456	933-456	933-456
31	Olive	1.4571	933-455	933-455	933-455	933-455	933-455
32	Support sleeve	1.4571	933-382	933-382	933-382	933-382	933-382
43	Clamp joint KL	1.4401	221-507.04	221-507.04	221-507.09	221-507.09	221-507.11
46	Clamp joint KL	1.4401	221-507.06	221-507.06	221-507.06	221-507.06	221-507.06
65	Sealing ring	EPDM FKM	924-305 924-307	924-305 924-307	924-296 924-308	924-296 924-308	924-254 924-309
73	Leakage housing	1.4404	221-000665	221-000665	221-000641	221-000641	221-000643
74	Cleaning nozzle	PVDF	221-334.01	221-334.01	221-334.02	221-334.02	221-334.02



Spare Parts List – Metric Sizes (Cont.)

Item	Designation	Material	DN 40	DN 50	DN 65	DN 80	DN 100
91	Cleaning connection	1.4301	221-237.08	221-237.08	221-237.08	221-237.08	221-237.08
**94	V-ring RA	EPDM FKM	221-365.07 221-365.10	221-365.07 221-365.10	221-365.08 221-365.11	221-365.08 221-365.11	221-365.09 221-365.12
415	Housing LCS-90	1.4404	221-633.04	221-633.06	221-633.08	221-633.10	221-633.21
416	Housing LES-90	1.4404	221-633.23	221-633.25	221-633.27	221-633.28	221-633.20
A	Actuator VARIVENT®	See spare parts list for actuator type VARIVENT®					
A*	Adapter LFT-R	EN AW-6082 T6	221-614.01	221-614.01	221-614.01	221-614.01	221-614.01
B	T.VIS control top Control top type S	See spare parts list for control top type T.VIS See spare parts list for control top type S					
C	Rinsing valve SPV-C	See spare parts list for rinsing valve type SPV-C					
L	Lifting actuator T	See spare parts list for lifting actuator type T					
Grease RIVOLTA F.L.G. MD-2 100g tube not included in the sealing set.					413-136		

** Do not grease item 7, 8 and 94

A²⁾ When ordering an actuator as a spare part, the adapter (A*) must be ordered and fitted addition.

Spare Parts List – Inch Sizes

Item	Designation	Material	1,5" OD	2" OD	2,5" OD	3" OD	4" OD
Sealing set, complete		EPDM FKM	221-001184 221-001185	221-001184 221-001185	221-001186 221-001187	221-001186 221-001187	221-001188 221-001189
1	Sealing ring	EPDM FKM	924-085 924-083	924-085 924-083	924-085 924-083	924-085 924-083	924-085 924-083
2	Bearing Bearing, 3A	PTFE/carbon SUSTA- PVDF	935-002 935-099	935-002 935-099	935-002 935-099	935-002 935-099	935-002 935-099
4	Bearing disk	1.4301	221-142.03	221-142.03	221-142.03	221-142.03	221-142.03
5	O-ring	EPDM FKM	930-144 930-171	930-144 930-171	930-150 930-176	930-150 930-176	930-156 930-178
6	O-ring	NBR	930-004	930-004	930-004	930-004	930-004
**7	V-ring	EPDM FKM	932-021 932-033	932-021 932-033	932-024 932-035	932-024 932-035	932-028 932-039
**8	V-ring	EPDM FKM	932-019 932-032	932-019 932-032	932-023 932-034	932-023 932-034	932-027 932-038
9	Lantern	1.4301	221-236.18	221-236.08	221-236.09	221-236.10	221-236.11
15	Valve disk T_R	1.4404	221-000673	221-000666	221-000650	221-000680	221-000644
16	Double-disk T_R	1.4404	221-000676	221-000669	221-000663	221-000679	221-000647
21	Guide ring	Turcite	935-056	935-056	935-042	935-042	935-043
21	Guide ring 3A	MF6	935-117	935-117	935-113	935-113	935-114



Spare Parts List – Inch Sizes (Cont.)

Item	Designation	Material	1,5" OD	2" OD	2,5" OD	3" OD	4" OD
22	O-ring	EPDM FKM	930-243 930-244	930-243 930-244	930-243 930-244	930-243 930-244	930-243 930-244
30	Cap nut	1.4571	933-456	933-456	933-456	933-456	933-456
31	Olive	1.4571	933-455	933-455	933-455	933-455	933-455
32	Support sleeve	1.4571	933-382	933-382	933-382	933-382	933-382
34	Seat ring D	1.4404	221-402.01	221-402.01	221-402.03	221-402.03	221-402.02
43	Clamp joint KL	1.4401	221-507.04	221-507.04	221-507.09	221-507.09	221-507.11
46	Clamp joint KL	1.4401	221-507.04	221-507.04	221-507.09	221-507.09	221-507.11
65	Sealing ring	EPDM FKM	924-305 924-307	924-305 924-307	924-296 924-308	924-296 924-308	924-254 924-309
73	Leakage housing	1.4404	221-000665	221-000665	221-000641	221-000641	221-000643
74	Cleaning nozzle	PVDF	221-334.01	221-334.01	221-334.02	221-334.02	221-334.02
91	Cleaning connection	1.4301	221-237.08	221-237.08	221-237.08	221-237.08	221-237.08
**94	V-ring RA	EPDM FKM	221-365.07 221-365.10	221-365.07 221-365.10	221-365.08 221-365.11	221-365.08 221-365.11	221-365.09 221-365.12
415	Housing LCS-90	1.4404	221-633.03	221-633.05	221-633.06	221-633.09	221-633.19
416	Housing LES-90	1.4404	221-633.22	221-633.24	221-633.26	221-633.17	221-633.18
A	Actuator VARIVENT®	See spare parts list for actuator type VARIVENT®					
A*	Adapter LFT-R	EN AW-6082 T6	221-614.01	221-614.01	221-614.01	221-614.01	221-614.01
B	T.VIS control top Control top type S	See spare parts list for control top type T.VIS See spare parts list for control top type S					
C	Rinsing valve SPV-C	See spare parts list for rinsing valve type SPV-C					
L	Lifting actuator T	See spare parts list for lifting actuator type T					
Grease RIVOLTA F.L.G. MD-2 100g tube not included in the sealing set.					413-136		

** Do not grease item 7, 8 and 94

A²) When ordering an actuator as a spare part, the adapter (A*) must be ordered and fitted addition.