

3 VARIVENT® Type L_H 221ELI002255

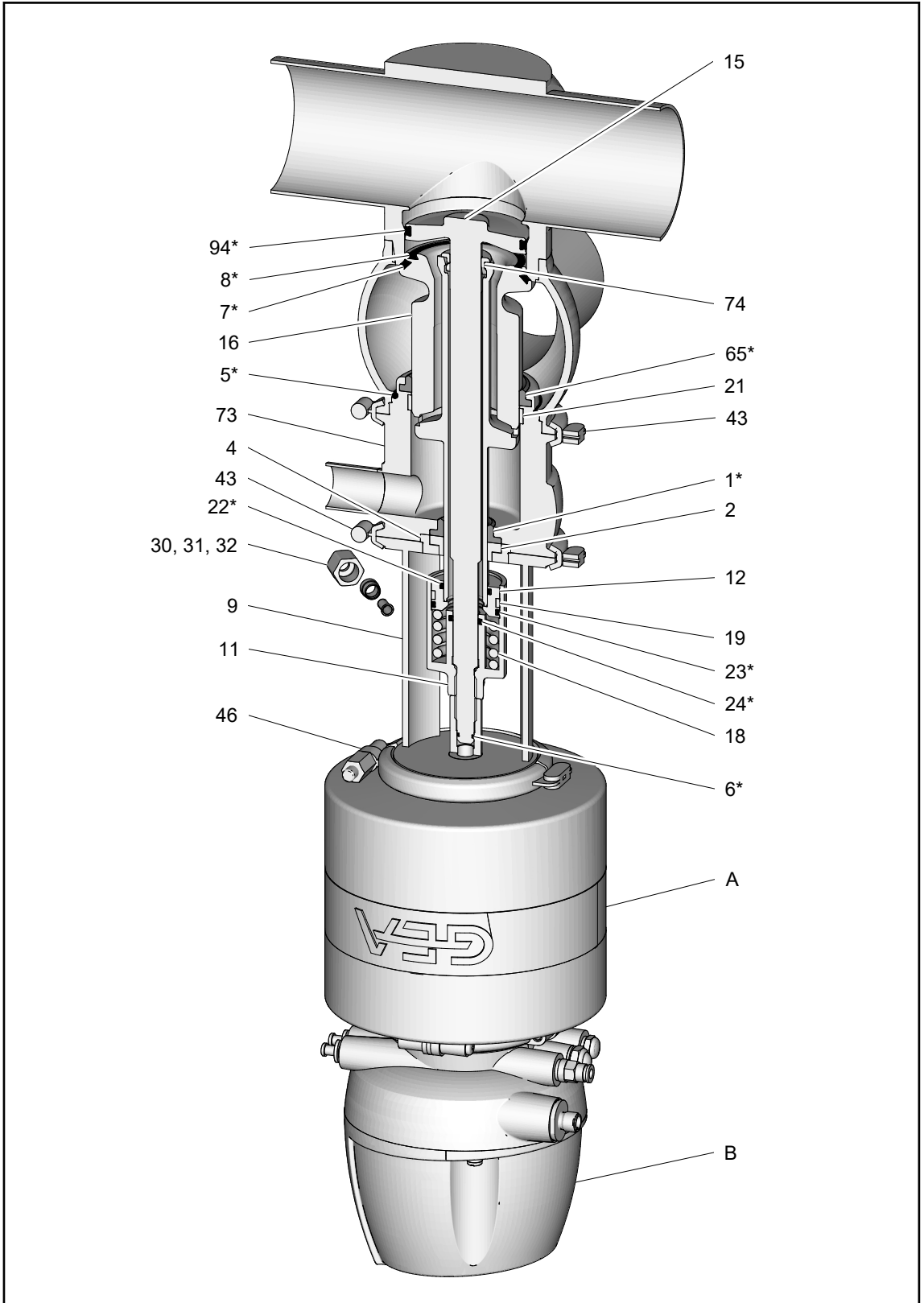
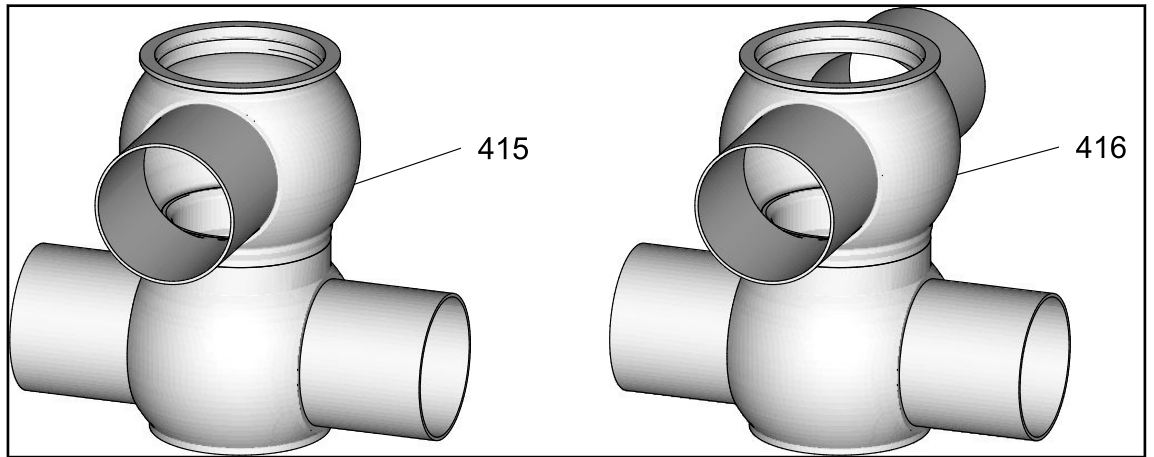


Figure 3-1 - Spare parts - mixproof valve L_H



Spare parts list - mixproof valve type L_H [DN]

Item	Designation	Material	DN 40	DN 50	DN 65	DN 80	DN 100
* Seal set		EPDM	221-001168	221-001168	221-001170	221-001170	221-001172
		FKM	221-001169	221-001169	221-001171	221-001171	221-001173
Positions marked with * are included in the seal set.							
*1	Seal ring	EPDM	924-085	924-085	924-085	924-085	924-085
		FKM	924-083	924-083	924-083	924-083	924-083
2	Bearing	PTFE/carbon	935-002	935-002	935-002	935-002	935-002
	Bearing, 3A	SUSTA-PVDF	935-099	935-099	935-099	935-099	935-099
4	Bearing disk	1.4301	221-142.03	221-142.03	221-142.03	221-142.03	221-142.03
*5	O-ring	EPDM	930-144	930-144	930-150	930-150	930-156
		FKM	930-171	930-171	930-176	930-176	930-178
*6	O-ring	NBR	930-004	930-004	930-004	930-004	930-004
*7	V-ring	EPDM	932-021	932-021	932-024	932-024	932-028
		FKM	932-033	932-033	932-035	932-035	932-039
*8	V-ring	EPDM	932-019	932-019	932-023	932-023	932-027
		FKM	932-032	932-032	932-034	932-034	932-038
9	Lantern	1.4301	221-121.02	221-121.02	221-121.03	221-121.03	221-121.04
11	Bonnet	1.4301	221-146.01	221-146.01	221-146.01	221-146.01	221-146.01
12	Bearing plug	1.4301	221-633.01	221-633.01	221-633.02	221-633.02	221-633.02
15	Valve disk T_R	1.4404	221-000673	221-000666	221-000650	221-000680	221-000644
16	Double-disk T_R	1.4404	221-000676	221-000669	221-000663	221-000679	221-000647

Item	Designation	Material	DN 40	DN 50	DN 65	DN 80	DN 100
18	Compression spring	1.4310	931-002	931-002	931-280	931-280	931-280
19	Guide ring	Turcite	935-021	935-021	935-021	935-021	935-021
21	Guide ring	Turcite	935-056	935-056	935-042	935-042	935-043
21	Guide ring 3A	MF6	935-117	935-117	935-113	935-113	935-114
*22	O-ring	EPDM	930-243	930-243	930-243	930-243	930-243
		FKM	930-244	930-244	930-244	930-244	930-244
*23	O-ring	EPDM	930-246	930-246	930-246	930-246	930-246
		FKM	930-247	930-247	930-247	930-247	930-247
*24	O-ring	EPDM	930-235	930-235	930-235	930-235	930-235
		FKM	930-162	930-162	930-162	930-162	930-162
30	Cap nut	1.4571	933-456	933-456	933-456	933-456	933-456
31	Cutting ring	1.4571	933-455	933-455	933-455	933-455	933-455
32	Support sleeve	1.4571	933-382	933-382	933-382	933-382	933-382
43	Clamp connection KL	1.4401	221-507.04	221-507.04	221-507.09	221-507.09	221-507.11
46	Clamp connection KL	1.4401	221-507.06	221-507.06	221-507.06	221-507.06	221-507.06
*65	Seal ring	EPDM	924-305	924-305	924-296	924-296	924-254
		FKM	924-307	924-307	924-308	924-308	924-309
73	Leakage housing	1.4404	221-000665	221-000665	221-000641	221-000641	221-000643
74	Cleaning nozzle	PVDF	221-334.01	221-334.01	221-334.02	221-334.02	221-334.02
*94	V-ring RA	EPDM	221-365.07	221-365.07	221-365.08	221-365.08	221-365.09

Item	Designation	Material	DN 40	DN 50	DN 65	DN 80	DN 100
		FKM	221-365.10	221-365.10	221-365.11	221-365.11	221-365.12
A	Actuator		See spare parts list for VARIVENT® actuator				
B	Control module T.VIS		See spare parts catalogue for control module T.VIS				
	Control module S		See spare parts catalogue for control module S				

Table 1: Spare parts list - mixproof valve type L_H (DN 40 - DN 100)

Spare parts list - mixproof valve type L_H [OD]

Item	Designation	Material	1.5" OD	2" OD	2.5" OD	3" OD	4" OD
* Seal set		EPDM	221-001168	221-001168	221-001170	221-001170	221-001172
		FKM	221-001169	221-001169	221-001171	221-001171	221-001173
Positions marked with * are included in the seal set.							
*1	Seal ring	EPDM	924-085	924-085	924-085	924-085	924-085
		FKM	924-083	924-083	924-083	924-083	924-083
2	Bearing	PTFE/carbon	935-002	935-002	935-002	935-002	935-002
	Bearing, 3A	SUSTA-PVDF	935-099	935-099	935-099	935-099	935-099
4	Bearing disk	1.4301	221-142.03	221-142.03	221-142.03	221-142.03	221-142.03
*5	O-ring	EPDM	930-144	930-144	930-150	930-150	930-156
		FKM	930-171	930-171	930-176	930-176	930-178
*6	O-ring	NBR	930-004	930-004	930-004	930-004	930-004
*7	V-ring	EPDM	932-021	932-021	932-024	932-024	932-028
		FKM	932-033	932-033	932-035	932-035	932-039
*8	V-ring	EPDM	932-019	932-019	932-023	932-023	932-027
		FKM	932-032	932-032	932-034	932-034	932-038
9	Lantern	1.4301	221-121.07	221-121.07	221-121.08	221-121.08	221-121.09
11	Bonnet	1.4301	221-146.01	221-146.01	221-146.01	221-146.01	221-146.01
12	Bearing plug	1.4301	221-633.01	221-633.01	221-633.02	221-633.02	221-633.02

Item	Designation	Material	1.5" OD	2" OD	2.5" OD	3" OD	4" OD
15	Valve disk T_R	1.4404	221-000673	221-000666	221-000650	221-000680	221-000644
16	Double-disk T_R	1.4404	221-000676	221-000669	221-000663	221-000679	221-000647
18	Compression spring	1.4310	931-002	931-002	931-280	931-280	931-280
19	Guide ring	Turcite	935-021	935-021	935-021	935-021	935-021
21	Guide ring	Turcite	935-056	935-056	935-042	935-042	935-043
21	Guide ring 3A	MF6	935-117	935-117	935-113	935-113	935-114
*22	O-ring	EPDM	930-243	930-243	930-243	930-243	930-243
		FKM	930-244	930-244	930-244	930-244	930-244
*23	O-ring	EPDM	930-246	930-246	930-246	930-246	930-246
		FKM	930-247	930-247	930-247	930-247	930-247
*24	O-ring	EPDM	930-235	930-235	930-235	930-235	930-235
		FKM	930-162	930-162	930-162	930-162	930-162
30	Cap nut	1.4571	933-456	933-456	933-456	933-456	933-456
31	Cutting ring	1.4571	933-455	933-455	933-455	933-455	933-455
32	Support sleeve	1.4571	933-382	933-382	933-382	933-382	933-382
34	Seat ring D	1.4404	221-402.01	221-402.01	221-402.01	221-402.01	221-402.01
43	Clamp connection KL	1.4401	221-507.04	221-507.04	221-507.09	221-507.09	221-507.11
46	Clamp connection KL	1.4401	221-507.06	221-507.06	221-507.06	221-507.06	221-507.06

Item	Designation	Material	1.5" OD	2" OD	2.5" OD	3" OD	4" OD
*65	Seal ring	EPDM	924-305	924-305	924-296	924-296	924-254
		FKM	924-307	924-307	924-308	924-308	924-309
73	Leakage housing	1.4404	221-000665	221-000665	221-000641	221-000641	221-000643
74	Cleaning nozzle	PVDF	221-334.01	221-334.01	221-334.02	221-334.02	221-334.02
*94	V-ring RA	EPDM	221-365.07	221-365.07	221-365.08	221-365.08	221-365.09
		FKM	221-365.10	221-365.10	221-365.11	221-365.11	221-365.12
A	Actuator	See spare parts list for VARIVENT® actuator					
B	Control module T.VIS	See spare parts catalogue for control module T.VIS					
	Control module S	See spare parts catalogue for control module S					

Table 2: Spare parts list - mixproof valve type L_H (OD 1.5" - OD 4")

GEA Tuchenhagen GmbH
Am Industriepark 2-10
21514 Büchen , Germany

Phone +49 4155 49-0

221ELI002255 Copyright © GEA Tuchenhagen - All rights reserved - Subject to modifications.