

# 1 Spare parts list - Shuttle valve W

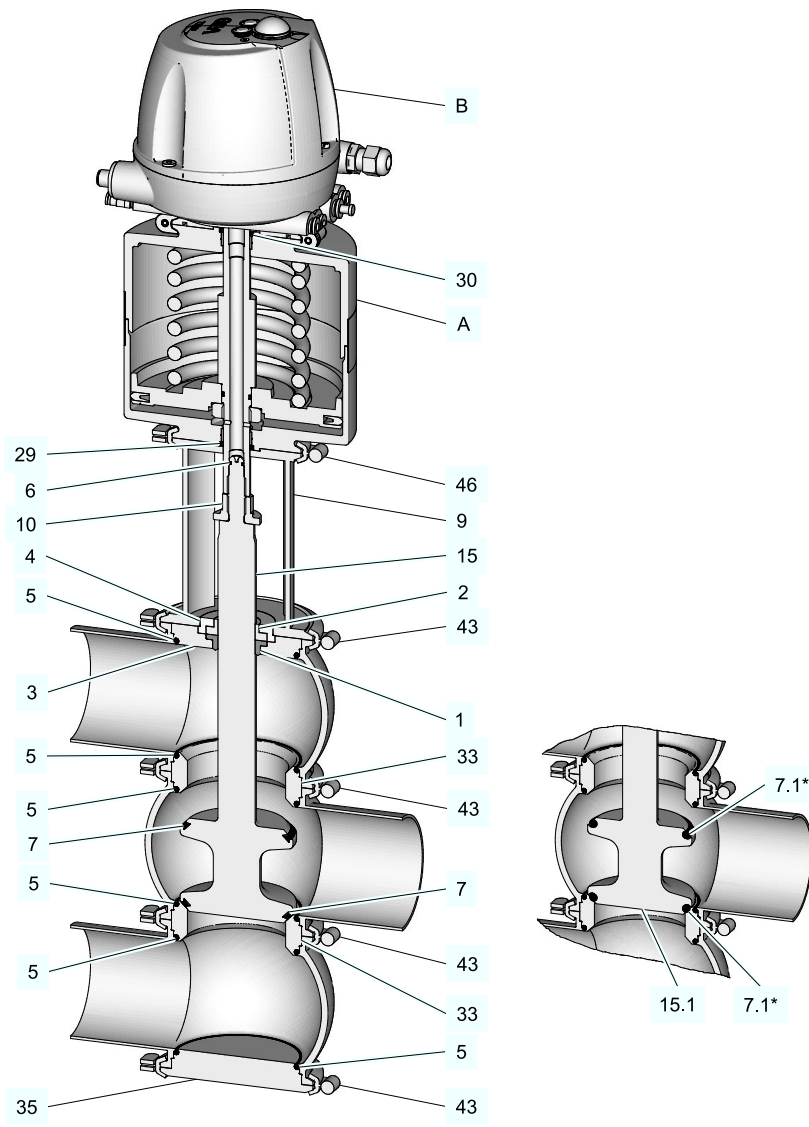


Fig.1

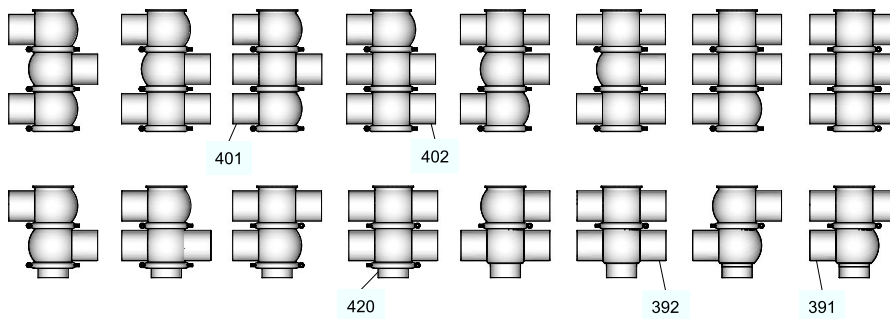


Fig.2

Spare parts list - Shuttle valve W

Item	Designation	Material	DN 25	DN 40	DN 50	DN 65
Seal set complete 1)		EPDM	221-304.18	221-304.19	221-304.19	221-304.20
		FKM	221-511.87	221-511.88	221-511.88	221-511.89
		HNBR	221-519.82	221-519.83	221-519.83	221-519.84
		TEFASEP gold/EPDM	221-304.74	221-304.75	221-304.75	221-304.76
		TEFASEP gold/FKM	221-511.104	221-511.105	221-511.106	221-511.106
1*	Seal ring	EPDM	924-084	924-084	924-084	924-085
		FKM	924-082	924-082	924-082	924-083
		HNBR	924-311	924-311	924-311	924-313
2	Bearing	PTFE/carbon	935-001	935-001	935-001	935-002
	Bearing, 3A	PEEK	935-098	935-098	935-098	935-099
3	Seal disk	1.4404	221-141.01	221-141.02	221-141.02	221-141.03
4	Bearing disc	1.4301	221-142.01	221-142.02	221-142.02	221-142.03
5*	O-ring	EPDM	930-309	930-144	930-144	930-150
		FKM	930-168	930-171	930-171	930-176
		HNBR	930-632	930-633	930-633	930-634
6*	O-ring	NBR	930-004	930-004	930-004	930-004
**7*	V-ring	EPDM	932-046	932-021	932-021	932-024
		FKM	932-030	932-033	932-033	932-035
		HNBR	932-087	932-088	932-088	932-090
7.1*	O-ring	TEFASEP gold	930-100	930-101	930-101	930-102
9	Lantern	1.4301	221-121.01	221-121.02	221-121.02	221-121.03
10	Spacer nut	1.4305	221-147.02	221-147.02	221-147.02	221-147.01
15	Valve disc W (V-ring)	1.4404	221-116.01	221-116.11	221-116.12	221-116.05
15.1*	Valve disc W-TS (O-ring)	1.4404	221-116.40	221-116.41	221-116.42	221-116.43
29*	O-ring	NBR	930-026	930-026	930-026	930-026
30*	O-ring	NBR	930-026	930-026	930-026	930-026
33	Seat ring N	1.4404	221-107.01	221-107.02	221-107.02	221-107.03
35	Blanking plate	1.4404	221-144.01	221-144.02	221-144.02	221-144.03
43	Clamp join KL	1.4401	221-507.02	221-507.04	221-507.04	221-507.09
46	Clamp join KL	1.4401	221-507.06	221-507.06	221-507.06	221-507.06
391	Housing NL	1.4404	221-636.01	221-636.02	221-636.03	221-636.04
392	Housing NT	1.4404	221-637.01	221-637.02	221-637.03	221-637.04
401	Housing V1	1.4404	221-101.19	221-101.21	221-101.22	221-101.05
402	Housing V2	1.4404	221-102.41	221-102.43	221-102.44	221-102.05
420	Housing connection flange N	1.4404	221-570.02	221-570.04	221-570.06	221-570.09
A	Actuator VARIVENT®		See parts list/dimensions sheet for VARIVENT® actuator			
B	Control head S		See spare parts list for control head S			
	Control top T.VIS®		See parts list for control top T.VIS®			
Grease RIVOLTA F.L.G. 100g tube not included with seal set.					413-136	
1) The seal set includes items 1, 5, 6, 7, 29 and 30 * Items marked with an * are wearing parts ** Do not grease Item 7						

Spare parts list - Shuttle valve W

Item	Designation	Material	DN 80	DN 100	DN 125	DN 150
Seal set complete 1)		EPDM	221-304.20	221-304.21	221-304.22	221-304.23
		FKM	221-511.89	221-511.90	221-511.91	221-511.92
		HNBR	221-519.84	221-001348	--	--
		TEFASEP gold/EPDM	221-304.76	221-304.77	--	--
		TEFASEP gold/FKM	221-511.106	221-511.107	--	--
1*	Seal ring	EPDM	924-085	924-085	924-088	924-088
		FKM	924-083	924-083	924-087	924-087
		HNBR	924-313	924-313	--	--
2	Bearing	PTFE/carbon	935-002	935-002	935-003	935-003
	Bearing, 3A	PEEK	935-099	935-099	935-102	935-102
3	Seal disk	1.4404	221-141.03	221-141.04	221-141.07	221-141.05
4	Bearing disc	1.4301	221-142.03	221-142.03	221-142.04	221-142.03
5*	O-ring	EPDM	930-150	930-156	930-372	930-260
		FKM	930-176	930-178	930-409	930-259
		HNBR	930-634	930-863	--	--
6*	O-ring	NBR	930-004	930-004	930-007	930-007
**7*	V-ring	EPDM	932-024	932-028	932-060	932-042
		FKM	932-035	932-039	932-062	932-041
		HNBR	932-090	932-100	--	--
7.1*	O-ring	TEFASEP gold	930-102	930-103	--	--
9	Lantern	1.4301	221-121.03	221-121.04	221-121.06	221-121.22
10	Spacer nut	1.4305	221-147.01	221-147.01	221-147.06	221-147.06
15	Valve disc W (V-ring)	1.4404	221-116.06	221-116.07	221-116.10	221-116.30
15.1*	Valve disc W-TS (O-ring)	1.4404	221-116.44	221-116.45	--	--
29*	O-ring	NBR	930-026	930-026	930-035	930-035
30*	O-ring	NBR	930-026	930-026	930-026	930-026
33	Seat ring N	1.4404	221-107.03	221-107.04	221-107.18	221-107.06
35	Blanking plate	1.4404	221-144.03	221-144.04	221-144.06	221-144.05
43	Clamp join KL	1.4401	221-507.09	221-507.11	221-507.13	221-507.14
46	Clamp join KL	1.4401	221-507.06	221-507.06	221-507.11	221-507.11
391	Housing NL	1.4404	221-636.05	221-636.14	221-193.36	221-193.45
392	Housing NT	1.4404	221-637.05	221-637.14	221-194.31	221-194.35
401	Housing V1	1.4404	221-101.06	221-101.07	221-101.18	221-101.66
402	Housing V2	1.4404	221-102.06	221-102.07	221-102.29	221-102.09
420	Housing connection flange N	1.4404	221-570.11	221-570.14	221-570.16	221-570.20
A	Actuator VARIVENT®		See parts list/dimensions sheet for VARIVENT® actuator			
B	Control head S		See spare parts list for control head S			
	Control top T.VIS®		See parts list for control top T.VIS®			
Grease RIVOLTA F.L.G. 100g tube not included with seal set.					413-136	
1) The seal set includes items 1, 5, 6, 7, 29 and 30 * Items marked with an * are wearing parts ** Do not grease Item 7						

Spare parts list - Shuttle valve W

Item	Designation	Material	1" OD	1.5" OD	2" OD	2.5" OD
Seal set complete 1)		EPDM	221-304.18	221-304.19	221-304.19	221-304.20
		FKM	221-511.87	221-511.88	221-511.88	221-511.89
		HNBR	221-519.82	221-519.83	221-519.83	221-519.84
		TEFASEP gold/EPDM	221-304.74	221-304.75	221-304.75	221-304.76
		TEFASEP gold/FKM	221-511.104	221-511.105	221-511.106	221-511.106
1*	Seal ring	EPDM	924-084	924-084	924-084	924-085
		FKM	924-082	924-082	924-082	924-083
		HNBR	924-311	924-311	924-311	924-313
2	Bearing	PTFE/carbon	935-001	935-001	935-001	935-002
	Bearing, 3A	PEEK	935-098	935-098	935-098	935-099
3	Seal disk	1.4404	221-141.01	221-141.02	221-141.02	221-141.03
4	Bearing disc	1.4301	221-142.01	221-142.02	221-142.02	221-142.03
5*	O-ring	EPDM	930-309	930-144	930-144	930-150
		FKM	930-168	930-171	930-171	930-176
		HNBR	930-632	930-633	930-633	930-634
6*	O-ring	NBR	930-004	930-004	930-004	930-004
**7*	V-ring	EPDM	932-046	932-021	932-021	932-024
		FKM	932-030	932-033	932-033	932-035
		HNBR	932-087	932-088	932-088	932-090
7.1*	O-ring	TEFASEP gold	930-100	930-101	930-101	930-102
9	Lantern	1.4301	221-121.01	221-121.07	221-121.07	221-121.03
10	Spacer nut	1.4305	221-147.02	221-147.02	221-147.02	221-147.01
15	Valve disc W (V-ring)	1.4404	221-116.01	221-116.11	221-116.12	221-116.05
15.1*	Valve disc W-TS (O-ring)	1.4404	221-116.40	221-116.41	221-116.42	221-116.43
29*	O-ring	NBR	930-026	930-026	930-026	930-026
30*	O-ring	NBR	930-026	930-026	930-026	930-026
33	Seat ring N	1.4404	221-107.01	221-107.02	221-107.02	221-107.03
35	Blanking plate	1.4404	221-144.01	221-144.02	221-144.02	221-144.03
43	Clamp join KL	1.4401	221-507.02	221-507.04	221-507.04	221-507.09
46	Clamp join KL	1.4401	221-507.06	221-507.06	221-507.06	221-507.06
391	Housing NL	1.4404	221-636.06	221-636.07	221-636.08	221-636.09
392	Housing NT	1.4404	221-637.06	221-637.07	221-637.08	221-637.09
401	Housing V1	1.4404	221-101.27	221-101.28	221-101.29	221-101.30
402	Housing V2	1.4404	221-102.52	221-102.53	221-102.54	221-102.55
420	Housing connection flange N	1.4404	221-570.01	221-570.03	221-570.05	221-570.08
A	Actuator VARIVENT®		See parts list/dimensions sheet for VARIVENT® actuator			
B	Control head S		See spare parts list for control head S			
	Control top T.VIS®		See parts list for control top T.VIS®			
Grease RIVOLTA F.L.G. 100g tube not included with seal set.					413-136	
1) The seal set includes items 1, 5, 6, 7, 29 and 30 * Items marked with an * are wearing parts ** Do not grease Item 7						

Spare parts list - Shuttle valve W

Item	Designation	Material	3" OD	4" OD	6" OD
Seal set complete 1)		EPDM	221-304.20	221-304.21	221-304.22
		FKM	221-511.89	221-511.90	221-511.92
		HNBR	221-519.84	221-001348	--
		TEFASEP gold/EPDM	221-304.76	221-304.77	--
		TEFASEP gold/FKM	221-511.106	221-511.107	--
1*	Seal ring	EPDM	924-085	924-085	924-088
		FKM	924-083	924-083	924-087
		HNBR	924-313	924-313	--
2	Bearing	PTFE/carbon	935-002	935-002	935-003
	Bearing, 3A	PEEK	935-099	935-099	935-102
3	Seal disk	1.4404	221-141.03	221-141.04	221-141.05
4	Bearing disc	1.4301	221-142.03	221-142.03	221-142.03
5*	O-ring	EPDM	930-150	930-156	930-260
		FKM	930-176	930-178	930-259
		HNBR	930-634	930-863	--
6*	O-ring	NBR	930-004	930-004	930-007
**7*	V-ring	EPDM	932-024	932-028	932-042
		FKM	932-035	932-039	932-041
		HNBR	932-090	932-100	--
7.1*	O-ring	TEFASEP gold	930-102	930-103	--
9	Lantern	1.4301	221-121.08	221-121.09	221-121.22
10	Spacer nut	1.4305	221-147.01	221-147.01	221-147.06
15	Valve disc W (V-ring)	1.4404	221-116.06	221-116.07	221-116.34
15.1*	Valve disc W-TS (O-ring)	1.4404	221-116.44	221-116.45	--
29*	O-ring	NBR	930-026	930-026	930-035
30*	O-ring	NBR	930-026	930-026	930-026
33	Seat ring N	1.4404	221-107.03	221-107.04	221-107.06
35	Blanking plate	1.4404	221-144.03	221-144.04	221-144.05
43	Clamp join KL	1.4401	221-507.09	221-507.11	221-507.14
46	Clamp join KL	1.4401	221-507.06	221-507.06	221-507.11
391	Housing NL	1.4404	221-636.10	221-636.13	221-636.48
392	Housing NT	1.4404	221-637.10	221-637.13	221-637.36
401	Housing V1	1.4404	221-101.31	221-101.32	221-101.72
402	Housing V2	1.4404	221-102.56	221-102.57	221-102.58
420	Housing connection flange N	1.4404	221-570.10	221-570.13	221-570.17
A	Actuator VARIVENT®	See parts list/dimensions sheet for VARIVENT® actuator			
B	Control head S	See spare parts list for control head S			
	Control top T.VIS®	See parts list for control top T.VIS®			
Grease RIVOLTA F.L.G. 100g tube not included with seal set.				413-136	
1) The seal set includes items 1, 5, 6, 7, 29 and 30 * Items marked with an * are wearing parts ** Do not grease Item 7					

Spare parts list - Shuttle valve W

Item	Designation	Material	2" IPS	3" IPS	4" IPS	6" IPS
Seal set complete 1)		EPDM	221-304.19	221-304.20	221-304.21	221-304.23
		FKM	221-511.88	221-511.89	221-511.90	221-511.92
		HNBR	221-519.83	221-519.84	221-001348	--
1*	Seal ring	EPDM	924-084	924-085	924-085	924-088
		FKM	924-082	924-083	924-083	924-087
		HNBR	924-311	924-313	924-313	--
2	Bearing	PTFE/carbon	935-001	935-002	935-002	935-003
	Bearing, 3A	SUSTA-PVDF	935-098	935-099	935-099	935-102
3	Seal disk	1.4404	221-141.02	221-141.03	221-141.04	221-141.05
4	Bearing disc	1.4301	221-142.02	221-142.03	221-142.03	221-142.04
5*	O-ring	EPDM	930-144	930-150	930-156	930-260
		FKM	930-171	930-176	930-178	930-259
		HNBR	930-633	930-634	930-863	--
6*	O-ring	NBR	930-004	930-004	930-007	930-007
**7*	V-ring	EPDM	932-021	932-024	932-028	932-042
		FKM	932-033	932-035	932-039	932-041
		HNBR	932-088	932-090	930-100	--
9	Lantern	1.4301	221-121.12	221-121.10	221-121.11	221-121.05
10	Spacer nut	1.4305	221-147.02	221-147.01	221-147.01	221-147.06
15	Valve disk W	1.4404	221-116.19	221-116.16	221-116.18	221-116.09
29*	O-ring	NBR	930-026	930-026	930-026	930-035
30*	O-ring	NBR	930-026	930-026	930-026	930-026
33	Seat ring N	1.4404	221-107.02	221-107.03	221-107.04	221-107.06
35	Blanking plate	1.4404	221-144.02	221-144.03	221-144.04	221-144.05
43	Clamp join KL	1.4401	221-507.04	221-507.09	221-507.11	221-507.14
46	Clamp join KL	1.4401	221-507.06	221-507.06	221-507.06	221-507.11
391	Housing NL	1.4404	221-636.11	221-636.12	221-636.15	221-636.35
392	Housing NT	1.4404	221-637.11	221-637.12	221-637.15	221-637.30
401	Housing V1	1.4404	221-101.37	221-101.35	221-101.36	221-101.17
402	Housing V2	1.4404	221-102.62	221-102.59	221-102.60	221-102.17
420	Housing connection flange N	1.4404	221-570.07	221-570.12	221-570.15	221-570.18
A	Actuator VARIVENT®		See parts list/dimensions sheet for VARIVENT® actuator			
B	Control head S		See spare parts list for control head S			
	Control top T.VIS®		See parts list for control top T.VIS®			
Grease RIVOLTA F.L.G. 100g tube not included with seal set.					413-136	
1) The seal set includes items 1, 5, 6, 7, 29 and 30 * Items marked with an * are wearing parts ** Do not grease Item 7						

sealing sets for shuttle valve W									
Item	Qty.	Designation	Material	DN 25 1"	DN 40/50 1.5"/2"	DN 65/80 2.5"/3"	DN 100 4"	DN 125	DN 150 6"
1	1	Seal ring	Ø	22	22	28	28	35	35
			EPDM	924-084	924-084	924-085	924-085	924-088	924-088
			FKM	924-082	924-082	924-083	924-083	924-087	924-087
			HNBR	924-311	924-311	924-313	924-313	--	--
5	6	O-ring	Ø	42 x 3	60 x 3	85 x 4	113 x 4	138 x 4	158 x 5
			EPDM	930-309	930-144	930-150	930-156	930-372	930-260
			FKM	930-168	930-171	930-176	930-178	930-409	930-259
			HNBR	930-632	930-633	930-634	930-863	--	--
6	1	O-ring	Ø	8 x 1.6	8 x 1.6	8 x 1.6	8 x 1.6	9 x 3	9 x 3
			NBR	930-004	930-004	930-004	930-004	930-007	930-007
**7	2	V-ring	Ø	35-5	52-6	76-6	104-6	128-6	148-6
			EPDM	932-046	932-021	932-024	932-028	932-060	932-042
			FKM	932-030	932-033	932-035	932-039	932-062	932-041
			HNBR	932-087	932-088	932-090	932-100	--	--
7.1	1	O-ring	Ø	30.5 x 5	48 x 5	69.5 x 6	94.8 x 6	--	--
			TEFASEP gold	930-100	930-101	930-102	930-103	--	--
29	1	O-ring	Ø	20 x 3	20 x 3	20 x 3	20 x 3	25 x 3	25 x 3
			NBR	930-026	930-026	930-026	930-026	930-035	930-035
30	1	O-ring	Ø	20 x 3	20 x 3	20 x 3	20 x 3	20 x 3	20 x 3
			NBR	930-026	930-026	930-026	930-026	930-026	930-026
Seal set complete			EPDM	221-304.18	221-304.19	221-304.20	221-304.21	221-304.22	221-304.23
			FKM	221-511.87	221-511.88	221-511.89	221-511.90	221-511.91	221-511.92
			HNBR	221-519.82	221-519.83	221-519.84	221-001348	--	--
			TEFASEP gold/EPDM	221-304.74	221-304.75	221-304.76	221-304.77	--	--
			TEFASEP gold/FKM	221-511.104	221-511.105	221-511.106	221-511.107	--	--
Grease RIVOLTA F.L.G. 100 g tube not included in the seal kit (413-136)/** do not grease item 7									
Storage information: Store according to DIN 7716 / relative humidity approx. 65%, temperature 15-25°C and protected from light When replacing seals, observe the instructions in the instruction manual!									
<b>429-008</b>									

