

3 VARIVENT® Type W_R 221ELI001660

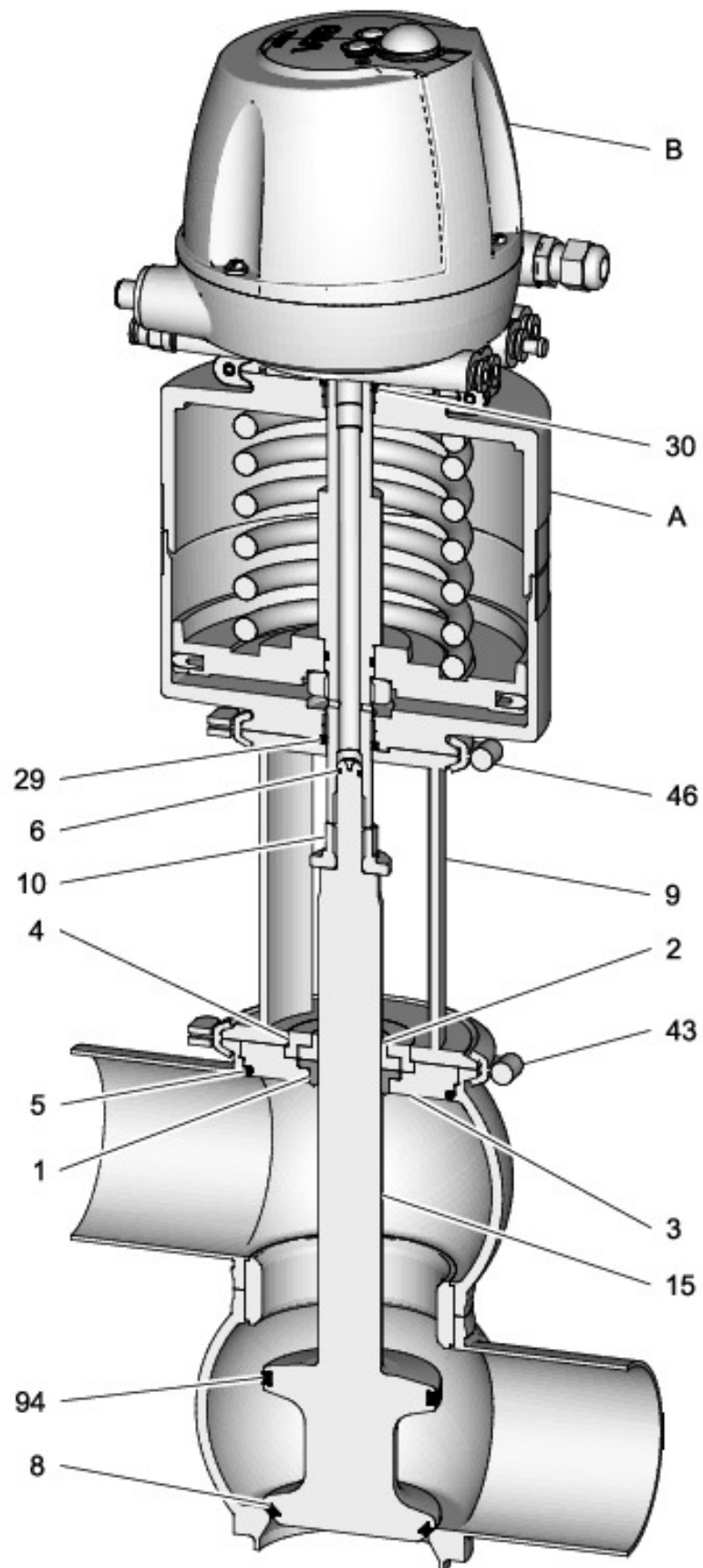
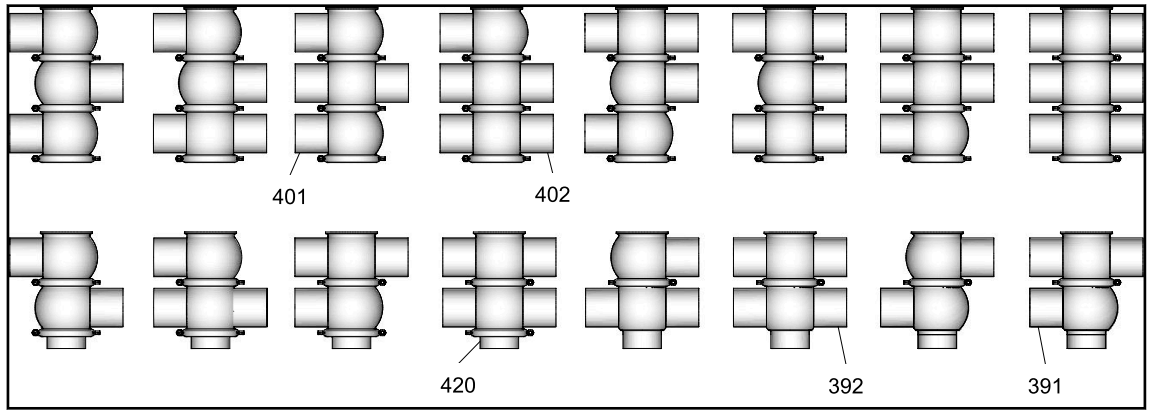


Figure 3-1 - Spare parts - shut-off valve W_R



Spare parts list - single-seated valve type W_R [DN]

Item	Designation	Material	DN 25	DN 40	DN 50	DN 65	DN 80	DN 100
Seal set		EPDM	221-519.91	221-519.92	221-519.92	221-519.93	221-519.93	221-519.94
		FKM	221-001805	221-519.97	221-519.97	221-519.98	221-519.98	221-519.99
		HNBR	--	221-000756	221-000756	221-000757	221-000757	--
* Items 1, 5, 6, 8, 29 and 30 are included in the seal set.								
** Do not grease items 8 and 94.								
1*	Seal ring	EPDM	924-084	924-084	924-084	924-085	924-085	924-085
		FKM	924-082	924-082	924-082	924-083	924-083	924-083
		HNBR	924-311	924-311	924-311	924-313	924-313	924-313
2	Bearing	PTFE/carbon	935-001	935-001	935-001	935-002	935-002	935-002
	Bearing, 3A	SUSTA-PVDF	935-098	935-098	935-098	935-099	935-099	935-099
3	Seal disk	1.4404	221-141.01	221-141.02	221-141.02	221-141.03	221-141.03	221-141.04
4	Bearing disc	1.4301	221-142.01	221-142.02	221-142.02	221-142.03	221-142.03	221-142.03
5*	O-ring	EPDM	930-309	930-144	930-144	930-150	930-150	930-156
		FKM	930-168	930-171	930-171	930-176	930-176	930-178
		HNBR	930-632	930-633	930-633	930-634	930-634	930-863
6*	O-ring	NBR	930-004	930-004	930-004	930-004	930-004	930-004
**8*	V-ring AX	EPDM	932-017	932-019	932-019	932-023	932-023	932-027
		FKM	932-029	932-032	932-032	932-034	932-034	932-038
		HNBR	932-085	932-084	932-084	932-089	932-089	932-099
9	Lantern	1.4301	221-121.01	221-121.02	221-121.02	221-121.03	221-121.03	221-121.04

Item	Designation	Material	DN 25	DN 40	DN 50	DN 65	DN 80	DN 100
10	Lock nut	1.4301	221-147.02	221-147.02	221-147.02	221-147.01	221-147.01	221-147.01
15	Valve disk W_R	1.4404	221-524.06	221-524.01	221-524.02	221-524.03	221-524.04	221-524.05
29*	O-ring	NBR	930-026	930-026	930-026	930-026	930-026	930-026
30*	O-ring	NBR	930-026	930-026	930-026	930-026	930-026	930-026
43	Clamp connection KL	1.4401	221-507.02	7221-507.04	221-507.04	221-507.09	221-507.09	221-507.11
46	Clamp connection KL	1.4401	221-507.06	221-507.06	221-507.06	221-507.06	221-507.06	221-507.06
**94	V-ring RA	EPDM	221-365.13	221-365.07	221-365.07	221-365.08	221-365.08	221-365.09
		FKM	221-365.21	221-365.10	221-365.10	221-365.11	221-365.11	221-365.12
		HNBR	221-365.24	221-365.18	221-365.18	221-365.20	221-365.20	221-365.19
A	Actuator	See spare parts list/dimension sheet for actuator type VARIVENT						
B	T.VIS control top	See spare parts list for T.VIS control top						
	Grease RIVOLTA F.L.G. MD-2 100g tube not included in the seal set.	413-036						

Table 1: Spare parts list - single-seated valve type W_R (DN 25 - DN 100)

Spare parts list - single-seated valve type W_R [OD]

Item	Designation	Material	1" OD	1.5" OD	2" OD	2.5" OD	3" OD	4" OD
Seal set		EPDM	221-519.91	221-519.92	221-519.92	221-519.93	221-519.93	221-519.94
		FKM	221-001805	221-519.97	221-519.97	221-519.98	221-519.98	221-519.99
		HNBR	--	221-000756	221-000756	221-000757	221-000757	--
* Items 1, 5, 6, 8, 29 and 30 are included in the seal set.								
** Do not grease items 8 and 94.								
1*	Seal ring	EPDM	924-084	924-084	924-084	924-085	924-085	924-085
		FKM	924-082	924-082	924-082	924-083	924-083	924-083
		HNBR	924-311	924-311	924-311	924-313	924-313	924-313
2	Bearing	PTFE/carbon	935-001	935-001	935-001	935-002	935-002	935-002
	Bearing, 3A	SUSTA-PVDF	935-098	935-098	935-098	935-099	935-099	935-099
3	Seal disk	1.4404	221-141.01	221-141.02	221-141.02	221-141.03	221-141.03	221-141.04
4	Bearing disc	1.4301	221-142.01	221-142.02	221-142.02	221-142.03	221-142.03	221-142.03
5*	O-ring	EPDM	930-309	930-144	930-144	930-150	930-150	930-156
		FKM	930-168	930-171	930-171	930-176	930-176	930-178
		HNBR	930-632	930-633	930-633	930-634	930-634	930-863
6*	O-ring	NBR	930-004	930-004	930-004	930-004	930-004	930-004
**8*	V-ring AX	EPDM	932-017	932-019	932-019	932-023	932-023	932-027
		FKM	932-029	932-032	932-032	932-034	932-034	932-038
		HNBR	932-085	932-084	932-084	932-089	932-089	932-099
9	Lantern	1.4301	221-121.01	221-121.07	221-121.07	221-121.08	221-121.08	221-121.09

Item	Designation	Material	1" OD	1.5" OD	2" OD	2.5" OD	3" OD	4" OD
10	Lock nut	1.4301	221-147.02	221-147.02	221-147.02	221-147.01	221-147.01	221-147.01
15	Valve disk W_R	1.4404	221-524.08	221-524.01	221-524.02	221-524.03	221-524.07	221-524.05
29*	O-ring	NBR	930-026	930-026	930-026	930-026	930-026	930-026
30*	O-ring	NBR	930-026	930-026	930-026	930-026	930-026	930-026
43	Clamp connection KL	1.4401	221-507.02	221-507.04	221-507.04	221-507.09	221-507.09	221-507.11
46	Clamp connection KL	1.4401	221-507.06	221-507.06	221-507.06	221-507.06	221-507.06	221-507.06
**94	V-ring RA	EPDM	221-365.13	221-365.07	221-365.07	221-365.08	221-365.08	221-365.09
		FKM	221-365.21	221-365.10	221-365.10	221-365.11	221-365.11	221-365.12
		HNBR	221-365.24	221-365.18	221-365.18	221-365.20	221-365.20	221-365.19
A	Actuator	See spare parts list/dimension sheet for actuator type VARIVENT						
B	T.VIS control top	See spare parts list for T.VIS control top						
	Grease RIVOLTA F.L.G. MD-2 100g tube not included in the seal set		413-036					

Table 2: Spare parts list - single-seated valve type W_R (OD 1" - OD 4")

GEA Tuchenhagen GmbH
Am Industriepark 2-10
21514 Büchen , Germany

Phone +49 4155 49-0

221ELI001660 Copyright © GEA Tuchenhagen - All rights reserved - Subject to modifications.