

3 VARIVENT® Type X 221ELI000585

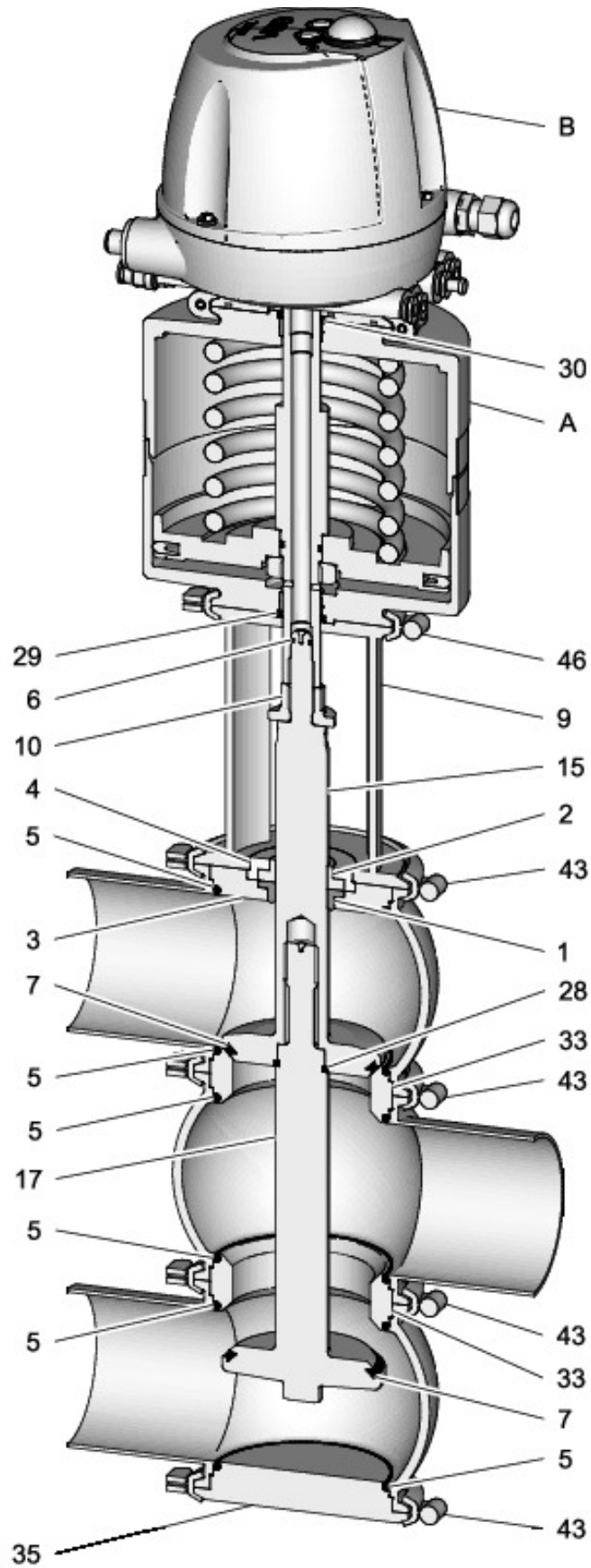
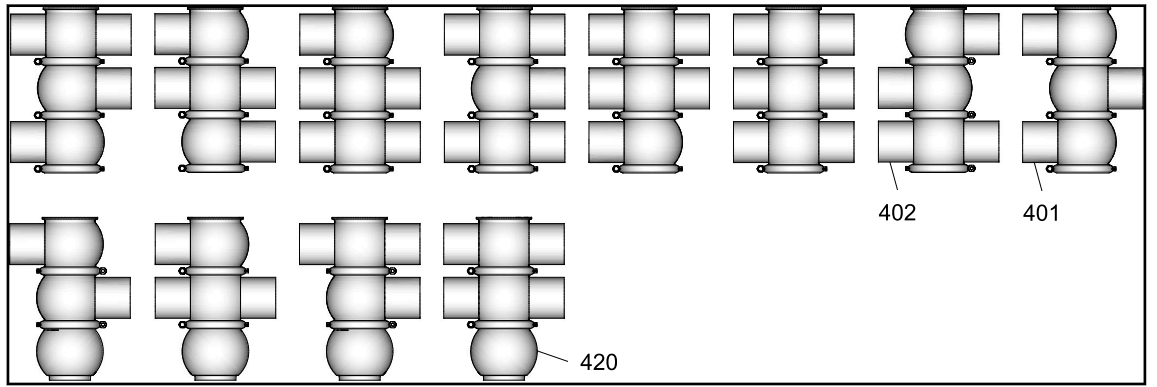


Figure 3-1 - Spare parts - shut-off valve X



Spare parts list - single-seated valve type X [DN]

Item	Designation	Material	DN 25	DN 40	DN 50	DN 65	DN 80	DN 100	DN 125	DN 150
Seal set complete 1)		EPDM	221-304.24	221-304.25	221-304.25	221-304.26	221-304.26	221-304.27	221-304.28	221-304.29
		FKM	221-511.93	221-511.94	221-511.94	221-511.95	221-511.95	221-511.96	221-511.97	221-511.98
		HNBR	221-519.65	221-519.65	221-519.66	221-519.67	221-519.67	221-004164	--	--
1) The seal set includes the items 1, 5, 6, 7, 28, 29 and 30.										
* Items marked with an * are wearing parts.										
** Do not grease item 7.										
1*	Seal ring	EPDM	924-084	924-084	924-084	924-085	924-085	924-085	924-088	924-088
		FKM	924-082	924-082	924-082	924-083	924-083	924-083	924-087	924-087
		HNBR	924-311	924-311	924-311	924-313	924-313	924-313	--	--
2	Bearing	PTFE/carbon	935-001	935-001	935-001	935-002	935-002	935-002	935-003	935-003
	Bearing, 3A	PEEK	935-098	935-098	935-098	935-099	935-099	935-099	935-102	935-102
3	Seal disk	1.4404	221-141.01	221-141.02	221-141.02	221-141.03	221-141.03	221-141.04	221-141.07	221-141.05
4	Bearing disc	1.4301	221-142.01	221-142.02	221-142.02	221-142.03	221-142.03	221-142.03	221-142.04	221-142.03
5*	O-ring	EPDM	930-309	930-144	930-144	930-150	930-150	930-156	930-372	930-260
		FKM	930-168	930-171	930-171	930-176	930-176	930-178	930-409	930-259
		HNBR	930-632	930-633	930-633	930-634	930-634	930-863	--	--
6*	O-ring	NBR	930-004	930-004	930-004	930-004	930-004	930-004	930-007	930-007
**7*	V-ring	EPDM	932-046	932-021	932-021	932-024	932-024	932-028	932-060	932-042
		FKM	932-030	932-033	932-033	932-035	932-035	932-039	932-062	932-041
		HNBR	932-087	932-088	932-088	932-090	932-090	932-100	--	--

Item	Designation	Material	DN 25	DN 40	DN 50	DN 65	DN 80	DN 100	DN 125	DN 150
9	Lantern	1.4301	221-121.01	221-121.02	221-121.02	221-121.03	221-121.03	221-121.04	221-121.06	221-121.22
10	Lock nut	1.4305	221-147.02	221-147.02	221-147.02	221-147.01	221-147.01	221-147.01	221-147.06	221-147.06
15	Valve disk X1	1.4404	221-113.01	221-113.02	221-113.02	221-113.03	221-113.04	221-113.05	221-113.07	221-113.08
17	Valve disk X2	1.4404	221-117.01	221-117.03	221-117.04	221-117.05	221-117.06	221-117.07	221-117.09	221-117.36
28*	O-ring	EPDM	930-276	930-276	930-276	930-350	930-350	930-350	930-373	930-373
		FKM	930-277	930-277	930-277	930-269	930-269	930-269	930-383	930-383
		HNBR	930-627	930-627	930-627	930-628	930-628	930-628	--	--
29*	O-ring	NBR	930-026	930-026	930-026	930-026	930-026	930-026	930-035	930-035
30*	O-ring	NBR	930-026	930-026	930-026	930-026	930-026	930-026	930-026	930-026
33	Seat ring N	1.4404	221-107.01	221-107.02	221-107.02	221-107.03	221-107.03	221-107.04	221-107.18	221-107.06
35	Blanking plate	1.4404	221-144.01	221-144.02	221-144.02	221-144.03	221-144.03	221-144.04	221-144.06	221-144.05
43	Clamp connection KL	1.4401	221-507.02	221-507.04	221-507.04	221-507.09	221-507.09	221-507.11	221-507.13	221-507.14
46	Clamp connection KL	1.4401	221-507.06	221-507.06	221-507.06	221-507.06	221-507.06	221-507.06	221-507.11	221-507.11
401	Housing V1	1.4404	221-101.19	221-101.21	221-101.22	221-101.05	221-101.06	221-101.07	221-101.18	221-101.66
402	Housing V2	1.4404	221-102.41	221-102.43	221-102.44	221-102.05	221-102.06	221-102.07	221-102.29	221-102.09
420	Housing connection X	1.4404	221-672.16	221-672.17	221-672.18	221-672.19	221-672.20	221-672.21	--	--
A	Actuator VARIVENT®		See spare parts list/dimensions sheet for VARIVENT® actuator							
B	Control top S		See spare parts list for control top S							

Item	Designation	Material	DN 25	DN 40	DN 50	DN 65	DN 80	DN 100	DN 125	DN 150
	Control top T.VIS®		See spare parts list for control top T.VIS®							
	Grease RIVOLTA F.L.G. 100g tube not included with seal set.		413-136							

Table 1: Spare parts list - single-seated valve type X (DN 25 - DN 150)

Spare parts list - single-seated valve type X [OD]

Item	Designation	Material	1" OD	1.5" OD	2" OD	2.5" OD	3" OD	4" OD	6" OD
Seal set complete 1)		EPDM	221-304.24	221-304.25	221-304.25	221-304.26	221-304.26	221-304.27	221-304.29
		FKM	221-511.93	221-511.94	221-511.94	221-511.95	221-511.95	221-511.96	221-511.98
		HNBR	221-519.65	221-519.65	221-519.66	221-519.67	221-519.67	221-004164	--
1) The seal set includes the items 1, 5, 6, 7, 28, 29 and 30. * Items marked with an * are wearing parts. ** Do not grease item 7.									
1*	Seal ring	EPDM	924-084	924-084	924-084	924-085	924-085	924-085	924-088
		FKM	924-082	924-082	924-082	924-083	924-083	924-083	924-087
		HNBR	924-311	924-311	924-311	924-313	924-313	924-313	--
2	Bearing	PTFE/carbon	935-001	935-001	935-001	935-002	935-002	935-002	935-003
	Bearing, 3A	PEEK	935-098	935-098	935-098	935-099	935-099	935-099	935-102
3	Seal disk	1.4404	221-141.01	221-141.02	221-141.02	221-141.03	221-141.03	221-141.04	221-141.05
4	Bearing disc	1.4301	221-142.01	221-142.02	221-142.02	221-142.03	221-142.03	221-142.03	221-142.03
5*	O-ring	EPDM	930-309	930-144	930-144	930-150	930-150	930-156	930-260
		FKM	930-168	930-171	930-171	930-176	930-176	930-178	930-259
		HNBR	930-632	930-633	930-633	930-634	930-634	930-863	--
6*	O-ring	NBR	930-004	930-004	930-004	930-004	930-004	930-004	930-007
**7*	V-ring	EPDM	932-046	932-021	932-021	932-024	932-024	932-028	932-042
		FKM	932-030	932-033	932-033	932-035	932-035	932-039	932-041
		HNBR	932-087	932-088	932-088	932-090	932-090	932-100	--

Item	Designation	Material	1" OD	1.5" OD	2" OD	2.5" OD	3" OD	4" OD	6" OD
9	Lantern	1.4301	221-121.01	221-121.07	221-121.07	221-121.08	221-121.08	221-121.09	221-121.22
10	Lock nut	1.4305	221-147.02	221-147.02	221-147.02	221-147.01	221-147.01	221-147.01	221-147.06
15	Valve disk X1	1.4404	221-113.01	221-113.02	221-113.02	221-113.03	221-113.04	221-113.05	221-113.08
17	Valve disk X2	1.4404	221-117.12	221-117.03	221-117.04	221-117.11	221-117.05	221-117.07	221-117.36
28*	O-ring	EPDM	930-276	930-276	930-276	930-350	930-350	930-350	930-373
		FKM	930-277	930-277	930-277	930-269	930-269	930-269	930-383
		HNBR	930-627	930-627	930-627	930-628	930-628	930-628	--
29*	O-ring	NBR	930-026	930-026	930-026	930-026	930-026	930-026	930-035
30*	O-ring	NBR	930-026	930-026	930-026	930-026	930-026	930-026	930-026
33	Seat ring N	1.4404	221-107.01	221-107.02	221-107.02	221-107.03	221-107.03	221-107.04	221-107.06
35	Blanking plate	1.4404	221-144.01	221-144.02	221-144.02	221-144.03	221-144.03	221-144.04	221-144.05
43	Clamp connection KL	1.4401	221-507.02	221-507.04	221-507.04	221-507.09	221-507.09	221-507.11	221-507.14
46	Clamp connection KL	1.4401	221-507.06	221-507.06	221-507.06	221-507.06	221-507.06	221-507.06	221-507.11
401	Housing V1	1.4404	221-101.27	221-101.28	221-101.29	221-101.30	221-101.31	221-101.32	221-101.66
402	Housing V2	1.4404	221-102.52	221-102.53	221-102.54	221-102.55	221-102.56	221-102.57	221-102.09
420	Housing connection X	1.4404	221-672.06	221-672.03	221-672.04	221-672.01	221-672.02	221-672.05	221-672.12
A	Actuator VARIVENT®	See spare parts list/dimensions sheet for VARIVENT® actuator							
B	Control top S	See spare parts list for control top S							

Item	Designation	Material	1" OD	1.5" OD	2" OD	2.5" OD	3" OD	4" OD	6" OD
	Control top T.VIS®		See spare parts list for control top T.VIS®						
	Grease RIVOLTA F.L.G. 100g tube not included with seal set.		413-136						

Table 2: Spare parts list - single-seated valve type X (OD 1" - OD 6")

Spare parts list - single-seated valve type X [IPS]

Item	Designation	Material	2" IPS	3" IPS	4" IPS	6" IPS
Seal set complete 1)		EPDM	221-304.25	221-304.26	221-304.27	221-304.29
		FKM	221-511.94	221-511.95	221-511.96	221-511.98
		HNBR	221-519.66	221-519.67	221-004164	--
1) The seal set includes the items 1, 5, 6, 7, 28, 29 and 30.						
* Items marked with an * are wearing parts.						
** Do not grease item 7.						
1*	Seal ring	EPDM	924-084	924-085	924-085	924-088
		FKM	924-082	924-083	924-083	924-087
		HNBR	924-311	924-313	924-313	--
2	Bearing	PTFE/carbon	935-001	935-002	935-002	935-003
	Bearing, 3A	PEEK	935-098	935-099	935-099	935-102
3	Seal disk	1.4404	221-141.02	221-141.03	221-141.04	221-141.05
4	Bearing disc	1.4301	221-142.02	221-142.03	221-142.03	221-142.04
5*	O-ring	EPDM	930-144	930-150	930-156	930-260
		FKM	930-171	930-176	930-178	930-259
		HNBR	930-633	930-634	930-863	--
6*	O-ring	NBR	930-004	930-004	930-007	930-007
**7*	V-ring	EPDM	932-021	932-024	932-028	932-042
		FKM	932-033	932-035	932-039	932-041
		HNBR	932-088	932-090	930-100	--

Item	Designation	Material	2" IPS	3" IPS	4" IPS	6" IPS
9	Lantern	1.4301	221-121.12	221-121.10	221-121.11	221-121.05
10	Lock nut	1.4305	221-147.02	221-147.01	221-147.01	221-147.06
15	Valve disk X1	1.4404	221-113.02	221-113.04	221-113.05	221-113.08
17	Valve disk X2	1.4404	221-117.14	221-117.06	221-117.13	221-117.10
28*	O-ring	EPDM	930-276	930-350	930-350	930-373
		FKM	930-277	930-269	930-269	930-383
		HNBR	930-627	930-628	930-628	--
29*	O-ring	NBR	930-026	930-026	930-026	930-035
30*	O-ring	NBR	930-026	930-026	930-026	930-026
33	Seat ring N	1.4404	221-107.02	221-107.03	221-107.04	221-107.06
35	Blanking plate	1.4404	221-144.02	221-144.03	221-144.04	221-144.05
43	Clamp connection KL	1.4401	221-507.04	221-507.09	221-507.11	221-507.14
46	Clamp connection KL	1.4401	221-507.06	221-507.06	221-507.06	221-507.11
401	Housing V1	1.4404	221-101.37	221-101.35	221-101.36	221-101.17
402	Housing V2	1.4404	221-102.62	221-102.59	221-102.60	221-102.17
420	Housing connection X	1.4404	--	--	--	--
A	Actuator VARIVENT®		See spare parts list/dimensions sheet for VARIVENT® actuator			
B	Control top S		See spare parts list for control top S			

Item	Designation	Material	2" IPS	3" IPS	4" IPS	6" IPS
	Control top T.VIS®		See spare parts list for control top T.VIS®			
	Grease RIVOLTA F.L.G. 100g tube not included with seal set.		413-136			

Table 3: Spare parts list - single-seated valve type X (IPS 2" - IPS 6")

GEA Tuchenhagen GmbH
Am Industriepark 2-10
21514 Büchen , Germany

Phone +49 4155 49-0

221ELI000585 Copyright © GEA Tuchenhagen - All rights reserved - Subject to modifications.