

3 VARIVENT® Type B_L 221ELI001353

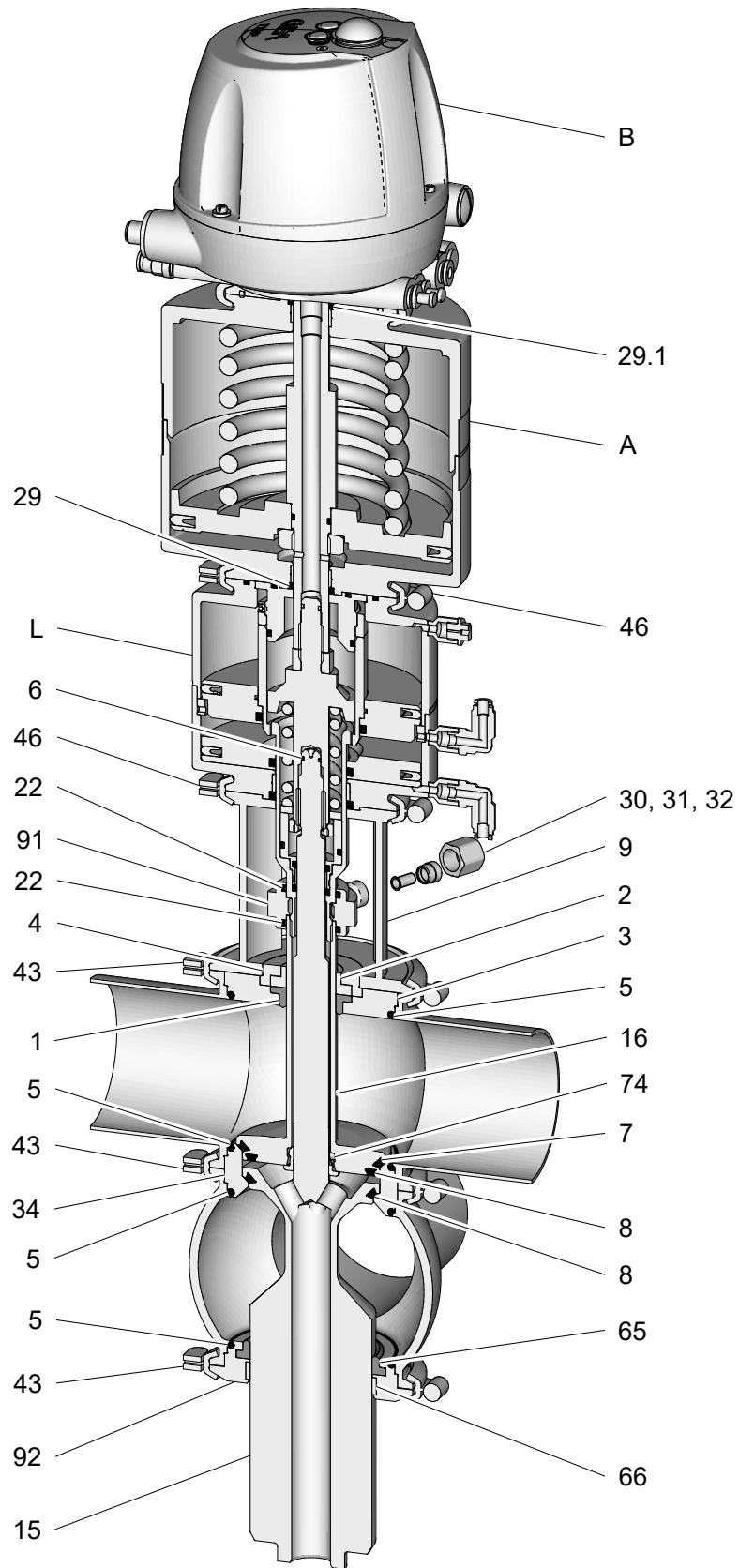
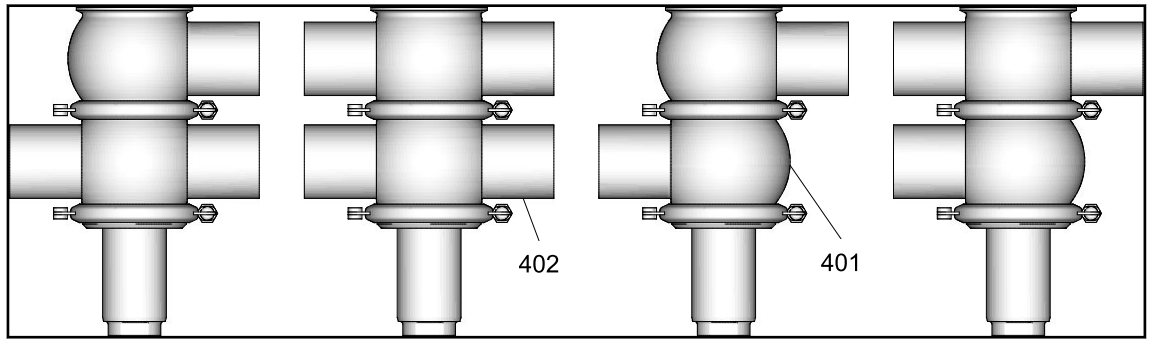


Figure 3-1 - Spare parts - mixproof valve B_L with lifting actuator



Spare parts list - mixproof valve type B_L [DN]



Item	Designation	Material	DN 65	DN 80	DN 100	DN 125	DN 150
Seal set complete 1)		EPDM	221-511.43	221-511.43	221-511.44	221-511.45	221-511.46
		FKM	221-519.22	221-519.22	221-519.23	221-519.24	221-519.25
		HNBR	--	--	--	--	--
1) The seal set includes items 1, 5, 6, 7, 8, 22, 24, 29, 29.1 and 65							
** Do not grease item 7 and 8							
1	Seal ring	EPDM	924-085	924-085	924-085	924-088	924-088
		FKM	924-083	924-083	924-083	924-087	924-087
		HNBR	924-313	924-313	924-313	--	--
2	Bearing	PTFE / carbon	935-002	935-002	935-002	935-003	935-003
	Bearing, 3A	PEEK450G	935-099	935-099	935-099	935-102	935-102
3	Seal disk	1.4404	221-141.03	221-141.03	221-141.04	221-141.07	221-141.05
4	Bearing disk	1.4301	221-142.03	221-142.03	221-142.03	221-142.04	221-142.04
5	O-ring	EPDM	930-150	930-150	930-156	930-372	930-260
		FKM	930-176	930-176	930-178	930-409	930-259
		HNBR	930-634	930-634	930-863	--	--
6	O-ring	NBR	930-004	930-004	930-004	930-007	930-007
**7	V-ring	EPDM	932-024	932-024	932-028	932-060	932-042
		FKM	932-035	932-035	932-039	932-062	932-041
		HNBR	932-090	932-090	932-100	--	--
**8	V-ring	EPDM	932-023	932-023	932-027	932-059	932-045

Item	Designation	Material	DN 65	DN 80	DN 100	DN 125	DN 150
		FKM	932-034	932-034	932-038	932-036	932-044
		HNBR	932-089	932-089	932-099	--	--
9	Lantern DL	1.4301	221-121.02	221-121.02	221-121.03	221-121.06	221-121.26
15	Valve disk B	1.4404	221-317.05	221-317.06	221-317.03	221-317.02	221-317.28
16	Double-disk D.L	1.4404	221-238.02	221-238.03	221-238.04	221-238.08	221-238.06
22	O-ring	EPDM	930-243	930-243	930-243	930-356	930-356
		FKM	930-244	930-244	930-244	930-357	930-357
		HNBR	930-640	930-640	930-640	--	--
24	O-ring	EPDM	930-235	930-235	930-235	930-268	930-268
		FKM	930-162	930-162	930-162	930-164	930-164
		HNBR	930-638	930-638	930-638	--	--
29	O-ring	NBR	930-026	930-026	930-026	930-035	930-035
29.1	O-ring	NBR	930-026	930-026	930-026	930-026	930-026
30	Cap nut	1.4571	933-456	933-456	933-456	933-482	933-482
31	Cutting ring	1.4571	933-455	933-455	933-455	933-481	933-481
32	Support sleeve	1.4571	933-382	933-382	933-382	933-385	933-385
34	Seat ring	1.4404	221-108.03	221-108.03	221-108.04	221-108.12	221-108.06
43	Clamp connection KL	1.4401	221-507.09	221-507.09	221-507.11	221-507.13	221-507.14
46	Clamp connection KL	1.4401	221-507.06	221-507.06	221-507.06	221-507.11	221-507.11
65	Seal ring	EPDM	924-296	924-296	924-254	924-262	924-261

Item	Designation	Material	DN 65	DN 80	DN 100	DN 125	DN 150
		FKM	924-308	924-308	924-309	924-319	924-320
		HNBR	924-331	924-331	924-332	--	--
66	Guide ring	Turcite	935-042	935-042	935-043	935-044	935-045
	Guide ring 3A	MF 6	935-113	935-113	935-114	935-115	935-116
74	Cleaning nozzle	PVDF	221-334.02	221-334.02	221-334.02	221-334.03	221-334.03
91	Cleaning connection/CIP	1.4301	221-237.08	221-237.08	221-237.08	221-237.25	221-237.25
92	Balancer plug	1.4404	221-348.02	221-348.02	221-348.01	221-348.05	221-348.04
401	Housing V1	1.4404	221-101.05	221-101.06	221-101.07	221-101.18	221-101.66
402	Housing V2	1.4404	221-102.05	221-102.06	221-102.07	221-102.29	221-102.09
A	Actuator VARIVENT®		See spare parts list/dimensions sheet for VARIVENT® actuator				
B	Control top T.VIS®		See parts list for control top T.VIS®				
	Control top S		See spare parts list for control top S				
L	Lifting actuator		See spare parts list for lifting actuator				
	Grease RIVOLTA F.L.G. MD-2 100g tube not included in the seal set		413-136				

Table 1: Spare parts list - mixproof valve type B_L (DN 65 - DN 150)

Spare parts list - mixproof valve type B_L [OD]

Item	Designation	Material	2.5"OD	3"OD	4" OD	6" OD
Seal set complete 1)		EPDM	221-511.43	221-511.43	221-511.44	221-511.46
		FKM	221-519.22	221-519.22	221-519.23	221-519.25
		HNBR	--	--	--	--
1) The seal set includes items 1, 5, 6, 7, 8, 22, 24, 29, 29.1 and 65						
** Do not grease item 7 and 8						
1	Seal ring	EPDM	924-085	924-085	924-085	924-088
		FKM	924-083	924-083	924-083	924-087
		HNBR	924-313	924-313	924-313	--
2	Bearing	PTFE/carbon	935-002	935-002	935-002	935-003
	Bearing, 3A	PEEK450G	935-099	935-099	935-099	935-102
3	Seal disk	1.4304	221-141.03	221-141.03	221-141.04	221-141.05
4	Bearing disk	1.4301	221-142.03	221-142.03	221-142.03	221-142.04
5	O-ring	EPDM	930-150	930-150	930-156	930-260
		FKM	930-176	930-176	930-178	930-259
		HNBR	930-634	930-634	930-863	--
6	O-ring	NBR	930-004	930-004	930-004	930-007
**7	V-ring	EPDM	932-024	932-024	932-028	932-042
		FKM	932-035	932-035	932-039	932-041
		HNBR	932-090	932-090	932-100	--
**8	V-ring	EPDM	932-023	932-023	932-027	932-045

Item	Designation	Material	2.5"OD	3"OD	4" OD	6" OD
		FKM	932-034	932-034	932-038	932-044
		HNBR	932-089	932-089	932-099	--
9	Lantern DL	1.4301	221-236.09	221-236.10	221-236.11	236.32
15	Valve disk B	1.4404	221-317.05	221-317.06	221-317.03	221-317.28
16	Double-disk D.L	1.4404	221-238.02	221-238.03	221-238.04	221-238.06
22	O-ring	EPDM	930-243	930-243	930-243	930-356
		FKM	930-244	930-244	930-244	930-357
		HNBR	930-640	930-640	930-640	--
24	O-ring	EPDM	930-235	930-235	930-235	930-268
		FKM	930-162	930-162	930-162	930-164
		HNBR	930-638	930-638	930-638	--
29	O-ring	NBR	930-026	930-026	930-026	930-035
29.1	O-ring	NBR	930-026	930-026	930-026	930-026
30	Cap nut	1.4571	933-456	933-456	933-456	933-482
31	Cutting ring	1.4571	933-455	933-455	933-455	933-481
32	Support sleeve	1.4571	933-382	933-382	933-382	933-385
34	Seat ring	1.4404	221-108.03	221-108.03	221-108.04	221-108.04
43	Clamp connection KL	1.4401	221-507.09	221-507.09	221-507.11	221-507.14
46	Clamp connection KL	1.4401	221-507.06	221-507.06	221-507.06	221-507.11
65	Seal ring	EPDM	924-296	924-296	924-254	924-261

Item	Designation	Material	2.5"OD	3"OD	4" OD	6" OD
		FKM	924-308	924-308	924-309	924-320
		HNBR	924-331	924-331	924-332	--
66	Guide ring	Turcite	935-042	935-042	935-043	935-045
	Guide ring 3A	MF 6	935-113	935-113	935-114	935-116
74	Cleaning nozzle	PVDF	221-334.02	221-334.02	221-334.02	221-334.03
91	Cleaning connection	1.4301	221-237.08	221-237.08	221-237.08	221-237.25
92	Balancer plug	1.4404	221-348.02	221-348.02	221-348.01	221-348.04
401	Housing V1	1.4404	221-101.30	221-101.31	221-101.32	221-101.72
402	Housing V2	1.4404	221-102.55	221-102.56	221-102.57	221-102.58
A	Actuator VARIVENT®		See spare parts list/dimensions sheet for VARIVENT® actuator			
B	Control top T.VIS®		See parts list for control top T.VIS®			
	Control top S		See spare parts list for control top S			
L	Lifting actuator _LB		See spare parts list for lifting actuator _LB			
	Grease RIVOLTA F.L.G. MD-2 100g tube not included in the seal set		413-136			

Table 2: Spare parts list - mixproof valve type B_L (OD 2.5" - OD 6")

Spare parts list - mixproof valve type B_L [IPS]



Item	Designation	Material	2"IPS	3"IPS	4"IPS	6"IPS
Seal set complete 1)		EPDM	221-511.42	221-511.43	221-511.44	221-511.46
		FKM	221-519.21	221-519.22	221-519.23	221-519.25
		HNBR	--	--	--	933-455
1) The seal set includes items 1, 5, 6, 7, 8, 22, 24, 29, 29.1 and 65						
** Do not grease item 7 and 8						
1	Seal ring	EPDM	924-085	924-085	924-085	924-088
		FKM	924-083	924-083	924-083	924-087
		HNBR	924-313	924-313	924-313	--
2	Bearing	PTFE/carbon	935-001	935-002	935-002	935-003
	Bearing, 3A	PEEK450G	935-098	935-099	935-099	935-102
3	Seal disk	1.4304	221-141.06	221-141.03	221-141.04	221-141.05
4	Bearing disk	1.4301	221-142.05	221-142.03	221-142.03	221-142.04
5	O-ring	EPDM	930-144	930-150	930-156	930-260
		FKM	930-171	930-176	930-178	930-259
		HNBR	930-633	930-634	930-863	--
6	O-ring	NBR	930-004	930-004	930-004	930-007
**7	V-ring	EPDM	932-021	932-024	932-028	932-042
		FKM	932-033	932-035	932-039	932-041
		HNBR	932-088	932-090	932-100	--
**8	V-ring	EPDM	932-019	932-023	932-027	932-045

Item	Designation	Material	2"IPS	3"IPS	4"IPS	6"IPS
		FKM	932-032	932-034	932-038	932-044
		HNBR	932-084	932-089	932-099	--
9	Lantern DL	1.4301	221-236.01	221-236.02	221-236.03	221-126.05
15	Valve disk B	1.4404	221-317.18	221-317.07	221-317.04	221-317.01
16	Double-disk D.L	1.4404	221-238.17	221-238.13	221-238.12	221-238.06
22	O-ring	EPDM	930-243	930-243	930-243	930-356
		FKM	930-244	930-244	930-244	930-357
		HNBR	930-640	930-640	930-640	--
24	O-ring	EPDM	930-235	930-235	930-235	930-268
		FKM	930-162	930-162	930-162	930-164
		HNBR	930-638	930-638	930-638	--
29	O-ring	NBR	930-026	930-026	930-026	930-035
29.1	O-ring	NBR	930-026	930-026	930-026	930-026
30	Cap nut	1.4571	933-456	933-456	933-456	933-482
31	Cutting ring	1.4571	933-455	933-455	933-455	933-481
32	Support sleeve	1.4571	933-382	933-382	933-382	933-385
34	Seat ring	1.4404	221-108.02	221-108.03	221-108.04	221-108.06
43	Clamp connection KL	1.4401	221-507.04	221-507.03	221-507.11	221-507.14
46	Clamp connection KL	1.4401	221-507.06	221-507.09	221-507.06	221-507.11
65	Seal ring	EPDM	924-305	924-296	924-254	924-261

Item	Designation	Material	2"IPS	3"IPS	4"IPS	6"IPS
		FKM	924-307	924-308	924-309	924-320
		HNBR	924-333	924-331	924-332	--
66	Guide ring	Turcite	935-056	935-042	935-043	935-045
	Guide ring 3A	MF 6	935-117	935-113	935-114	935-116
74	Cleaning nozzle	PVDF	221-334.01	221-334.02	221-334.02	221-334.03
91	Cleaning connection	1.4301	221-237.08	221-237.08	221-237.08	221-237.25
92	Balancer plug	1.4404	221-348.03	221-348.02	221-348.01	221-348.04
401	Housing V1	1.4404	221-101.37	221-101.35	221-101.36	221-101.17
402	Housing V2	1.4404	221-102.62	221-102.59	221-102.60	221-102.17
A	Actuator VARIVENT®		See spare parts list/dimensions sheet for VARIVENT® actuator			
B	Control top T.VIS®		See parts list for control top T.VIS®			
	Control top S		See spare parts list for control top S			
L	Lifting actuator _LB		See spare parts list for lifting actuator _LB			
	Grease RIVOLTA F.L.G. MD-2 100g tube not included in the seal set		413-136			

Table 3: Spare parts list - mixproof valve type B_L (IPS 2" - IPS 6")

GEA Tuchenhagen GmbH
Am Industriepark 2-10
21514 Büchen , Germany

Phone +49 4155 49-0

221ELI001353 Copyright © GEA Tuchenhagen - All rights reserved - Subject to modifications.