

### 3 VARIVENT® Type B\_C 221ELI001355

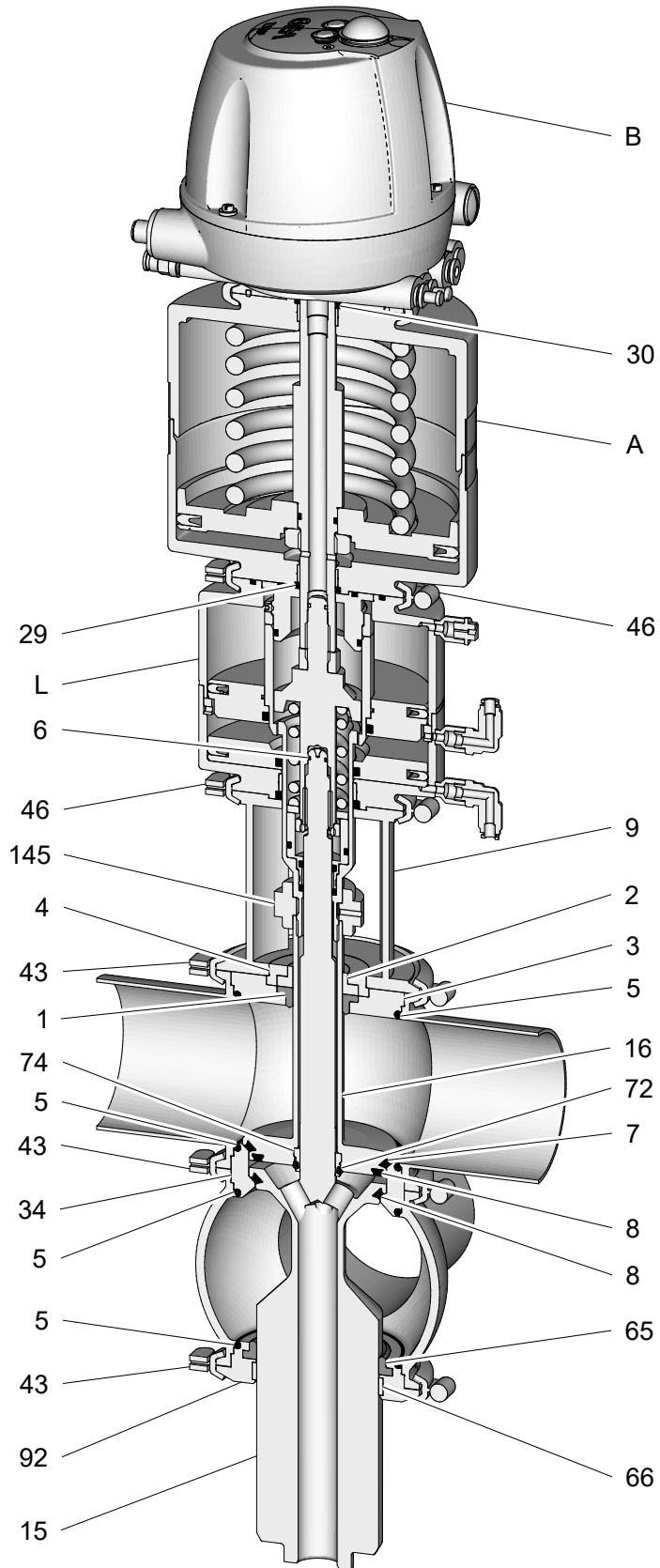
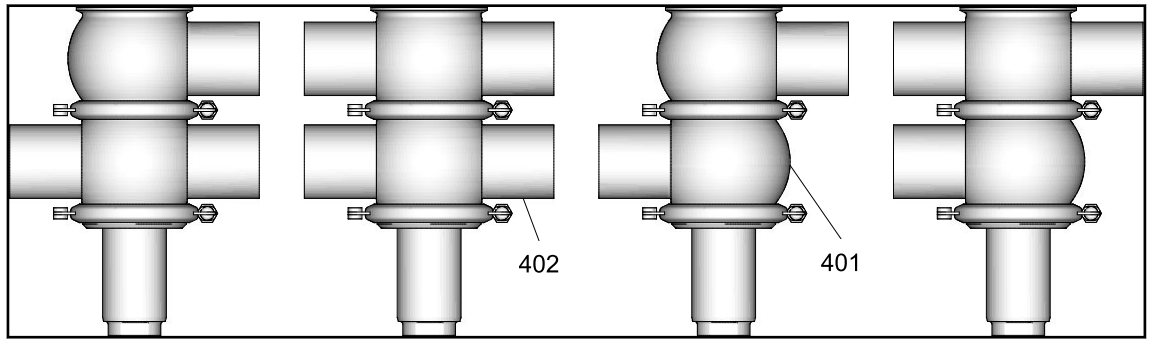


Figure 3-1 - Spare parts - mixproof valve B\_C with lifting actuator



Spare parts list - mixproof valve type B\_C [DN]



Item	Designation	Material	DN 65	DN 80	DN 100	DN 125	DN 150
Seal set complete 1)		EPDM	221-519.88	221-519.88	221-519.89	221-001030	221-519.90
		FKM	221-001050	221-001050	221-001051	221-001052	221-001053
		HNBR	221-528.94	221-528.94	221-528.95	--	--
1) The seal set includes items 1, 5, 6, 7, 8, 29, 30, 65, 72 and 74. ** Do not grease items 7 and 8.							
1	Seal ring	EPDM	924-085	924-085	924-085	924-088	924-088
		FKM	924-083	924-083	924-083	924-087	924-087
		HNBR	924-313	924-313	924-313	--	--
2	Bearing	PTFE/carbon	935-002	935-002	935-002	935-003	935-003
	Bearing, 3A	PEEK450G	935-099	935-099	935-099	935-102	935-102
3	Seal disk	1.4404	221-141.03	221-141.03	221-141.04	221-141.07	221-141.05
4	Bearing disk	1.4301	221-142.03	221-142.03	221-142.03	221-142.04	221-142.04
5	O-ring	EPDM	930-150	930-150	930-156	930-372	930-260
		FKM	930-176	930-176	930-178	930-409	930-259
		HNBR	930-634	930-634	930-863	--	--
6	O-ring	NBR	930-004	930-004	930-004	930-007	930-007
**7	V-ring	EPDM	932-024	932-024	932-028	932-060	932-042
		FKM	932-035	932-035	932-039	932-062	932-041
		HNBR	932-090	932-090	932-100	--	--
**8	V-ring	EPDM	932-023	932-023	932-027	932-059	932-045

Item	Designation	Material	DN 65	DN 80	DN 100	DN 125	DN 150
		FKM	932-034	932-034	932-038	932-063	932-044
		HNBR	932-089	932-089	932-099	--	--
9	Lantern DL	1.4301	221-236.02	221-236.02	221-236.03	221-236.06	221-236.26
15	Valve disk B	1.4404	221-317.05	221-317.06	221-317.03	221-317.02	221-317.28
16	Double-disk D.L	1.4404	221-238.02	221-238.03	221-238.04	221-238.08	221-238.06
29	O-ring	NBR	930-026	930-026	930-026	930-026	930-035
30	O-ring	NBR	930-026	930-026	930-026	930-026	930-026
34	Seat ring D	1.4404	221-108.03	221-108.03	221-108.04	221-108.12	221-108.06
43	Clamp connection KL	1.4401	221-507.09	221-507.09	221-507.11	221-507.13	221-507.14
46	Clamp connection KL	1.4401	221-507.06	221-507.06	221-507.06	221-507.11	221-507.11
65	Seal ring	EPDM	924-296	924-296	924-254	924-262	924-261
		FKM	924-308	924-308	924-309	924-319	924-320
		HNBR	924-331	924-331	924-332	--	--
66	Guide ring	Turcite	935-042	935-042	935-043	935-044	935-045
	Guide ring 3A	MF6	935-113	935-113	935-114	935-115	935-116
72	O-ring	EPDM	930-611	930-611	930-611	930-612	930-612
		FKM	930-663	930-663	930-663	930-664	930-664
		HNBR	930-647	930-647	930-647	930-648	930-648
74	Snap seal	PVDF	221-000523	221-000523	221-000523	221-000524	221-000524
92	Balancer plug	1.4404	221-348.02	221-348.02	221-348.01	221-348.05	221-348.04

Item	Designation	Material	DN 65	DN 80	DN 100	DN 125	DN 150
145	Leak indicator	1.4301	221-237.43	221-237.43	221-237.43	221-237.44	221-237.44
401	Housing V1	1.4404	221-101.05	221-101.06	221-101.07	221-101.18	221-101.06
402	Housing V2	1.4404	221-102.05	221-102.06	221-102.07	221-102.29	221-102.09
A	Actuator VARIVENT®		See spare parts list/dimensions sheet for VARIVENT® actuator				
B	Control top T.VIS®		See parts list for control top T.VIS®				
	Control top S		See spare parts list for control top S				
L	Lifting actuator _LB		See spare parts list for lifting actuator _LB				
	Grease RIVOLTA F.L.G. 100g tube not included with seal set.		413-136				

Table 1: Spare parts list - mixproof valve type B\_C (DN 65 - DN 150)

Spare parts list - mixproof valve type B\_C [OD]

Item	Designation	Material	2.5" OD	3" OD	4" OD	6" OD
Seal set complete 1)		EPDM	221-519.88	221-519.88	221-519.89	221-519.90
		FKM	221-001050	221-001050	221-001051	221-001053
		HNBR	221-528.94	221-528.94	221-528.95	--
1) The seal set includes items 1, 5, 6, 7, 8, 29, 30, 65, 72 and 74.						
** Do not grease items 7 and 8.						
1	Seal ring	EPDM	924-085	924-085	924-085	924-088
		FKM	924-083	924-083	924-083	924-087
		HNBR	924-313	924-313	924-313	--
2	Bearing	PTFE/carbon	935-002	935-002	935-002	935-003
	Bearing, 3A	PEEK450G	935-099	935-099	935-099	935-102
3	Seal disk	1.4404	221-141.03	221-141.03	221-141.04	221-141.05
4	Bearing disk	1.4301	221-142.03	221-142.03	221-142.03	221-142.04
5	O-ring	EPDM	930-150	930-150	930-156	930-260
		FKM	930-176	930-176	930-178	930-259
		HNBR	930-634	930-634	930-863	--
6	O-ring	NBR	930-004	930-004	930-004	930-007
**7	V-ring	EPDM	932-024	932-024	932-028	932-042
		FKM	932-035	932-035	932-039	932-041
		HNBR	932-090	932-090	932-100	--
**8	V-ring	EPDM	932-023	932-023	932-027	932-045

Item	Designation	Material	2.5" OD	3" OD	4" OD	6" OD
		FKM	932-034	932-034	932-038	932-044
		HNBR	932-089	932-089	932-099	--
9	Lantern DL	1.4301	221-236.09	221-236.10	221-236.11	221-236.32
15	Valve disk B	1.4404	221-317.05	221-317.06	221-317.03	221-317.28
16	Double-disk D.L	1.4404	221-238.02	221-238.03	221-238.04	221-238.06
29	O-ring	NBR	930-026	930-026	930-026	930-035
30	O-ring	NBR	930-026	930-026	930-026	930-026
34	Seat ring D	1.4404	221-108.03	221-108.03	221-108.04	221-108.06
43	Clamp connection KL	1.4401	221-507.09	221-507.09	221-507.11	221-507.14
46	Clamp connection KL	1.4401	221-507.06	221-507.06	221-507.06	221-507.11
65	Seal ring	EPDM	924-296	924-296	924-254	924-261
		FKM	924-308	924-308	924-309	924-320
		HNBR	924-331	924-331	924-332	--
66	Guide ring	Turcite	935-042	935-042	935-043	935-043
	Guide ring 3A	MF6	935-113	935-113	935-114	935-116
72	O-ring	EPDM	930-611	930-611	930-611	930-612
		FKM	930-663	930-663	930-663	930-664
		HNBR	930-647	930-647	930-647	--
74	Snap seal	PVDF	221-000523	221-000523	221-000523	221-000524
92	Balancer plug	1.4404	221-348.02	221-348.02	221-348.01	221-348.04

Item	Designation	Material	2.5" OD	3" OD	4" OD	6" OD
145	Leak indicator	1.4301	221-237.43	221-237.43	221-237.43	221-237.44
401	Housing V1	1.4404	221-101.30	221-101.31	221-101.32	221-101.72
402	Housing V2	1.4404	221-102.55	221-102.56	221-102.57	221-102.58
A	Actuator VARIVENT®		See spare parts list/dimensions sheet for VARIVENT® actuator			
B	Control top T.VIS®		See parts list for control top T.VIS®			
	Control top S		See spare parts list for control top S			
L	Lifting actuator _LB		See spare parts list for lifting actuator _LB			
	Grease RIVOLTA F.L.G. 100g tube not included with seal set.		413-136			

Table 2: Spare parts list - mixproof valve type B\_C (OD 2.5" - OD 6")

Spare parts list - mixproof valve type B\_C [IPS 2" - IPS 6"]

Item	Designation	Material	2" IPS	3" IPS	4" IPS	6" IPS
Seal set complete 1)		EPDM	221-519.87	221-519.88	221-519.89	221-519.90
		FKM	221-001049	221-001050	221-001051	221-001053
		HNBR	221-528.93	221-528.94	221-528.95	--
1) The seal set includes items 1, 5, 6, 7, 8, 29, 30, 65, 72 and 74.						
** Do not grease items 7 and 8.						
1	Seal ring	EPDM	924-085	924-085	924-085	924-088
		FKM	924-083	924-083	924-083	924-087
		HNBR	924-313	924-313	924-313	--
2	Bearing	PTFE/carbon	935-002	935-002	935-002	935-003
	Bearing, 3A	PEEK450G	935-099	935-099	935-099	935-102
3	Seal disk	1.4404	221-141.06	221-141.03	221-141.04	221-141.05
4	Bearing disk	1.4301	221-142.05	221-142.03	221-142.03	221-142.04
5	O-ring	EPDM	930-144	930-150	930-156	930-260
		FKM	930-171	930-176	930-178	930-259
		HNBR	930-633	930-634	930-863	--
6	O-ring	NBR	930-004	930-004	930-004	930-007
**7	V-ring	EPDM	932-021	932-024	932-028	932-042

Item	Designation	Material	2" IPS	3" IPS	4" IPS	6" IPS
		FKM	932-033	932-035	932-039	932-041
		HNBR	932-088	932-090	932-100	--
**8	V-ring	EPDM	932-019	932-023	932-027	932-045
		FKM	932-032	932-034	932-038	932-044
		HNBR	932-084	932-089	932-099	--
9	Lantern DL	1.4301	221-236.01	221-236.02	221-236.03	221-236.05
15	Valve disk B	1.4404	221-317.18	221-317.07	221-317.04	221-317.01
16	Double-disk D.L	1.4404	221-238.17	221-238.13	221-238.12	221-238.06
29	O-ring	NBR	930-026	930-026	930-026	930-035
30	O-ring	NBR	930-026	930-026	930-026	930-026
34	Seat ring D	1.4404	221-108.02	221-108.03	221-108.04	221-108.06
43	Clamp connection KL	1.4401	221-507.04	221-507.03	221-507.11	221-507.14
46	Clamp connection KL	1.4401	221-507.06	221-507.09	221-507.06	221-507.11
65	Seal ring	EPDM	924-305	924-286	924-254	924-261
		FKM	924-307	924-308	924-309	924-320
		HNBR	924-333	924-331	924-332	--
66	Guide ring	Turcite	935-056	935-042	935-043	935-045
	Guide ring 3A	MF6	935-117	935-113	935-114	935-116
72	O-ring	EPDM	930-610	930-611	930-611	930-612
		FKM	930-662	930-663	930-663	930-664

Item	Designation	Material	2" IPS	3" IPS	4" IPS	6" IPS
		HNBR	930-646	930-647	930-647	930-648
74	Snap seal	PVDF	221-000522	221-000523	221-000523	221-000524
92	Balancer plug	1.4404	221-348.03	221-348.02	221-348.01	221-348.04
145	Leak indicator	1.4301	221-237.43	221-237.43	221-237.43	221-237.44
401	Housing V1	1.4404	221-101.37	221-101.35	221-101.36	221-101.17
402	Housing V2	1.4404	221-102.62	221-102.59	221-102.60	221-102.17
***	Housing DA-S	1.4404	221-406.01	221-406.09	221-406.21	221-406.33
	Housing DB-S	1.4404	221-406.02	221-406.10	221-406.22	221-406.34
	Housing DC-S	1.4404	221-406.03	221-406.11	221-406.23	221-406.35
	Housing DE-S	1.4404	221-406.04	221-406.12	221-406.24	221-406.36
A	Actuator VARIVENT®		See spare parts list/dimensions sheet for VARIVENT® actuator			
B	Control top T.VIS®		See parts list for control top T.VIS®			
	Control top S		See spare parts list for control top S			
L	Lifting actuator _LB		See spare parts list for lifting actuator _LB			
	Grease RIVOLTA F.L.G. 100g tube not included with seal set.		413-136			

\*\*\* With housing combinations with welded seat ring (welded housing), the angle position of the sockets to one another must be specified according to welding procedure 221RLI003578G on order.

Table 3: Spare parts list - mixproof valve type B\_C (IPS 2"- IPS 6")

## Spare parts list - mixproof valve type B\_C [IPS 2"/3" - 4"/2"]

Item	Designation	Material	2"/3" IPS	3"/2" IPS	3"/4" IPS	3"/6" IPS	4"/2" IPS
Seal set complete 1)		EPDM	221-519.87	221-519.87	221-519.88	221-519.88	221-519.87
		FKM	221-001049	221-001049	221-001050	221-001050	221-001049
		HNBR	221-528.93	221-528.93	221-528.94	221-528.94	221-528.93
1) The seal set includes items 1, 5, 6, 7, 8, 29, 30, 65, 72 and 74. ** Do not grease items 7 and 8.							
1	Seal ring	EPDM	924-085	924-085	924-085	924-085	924-085
		FKM	924-083	924-083	924-083	924-083	924-083
		HNBR	924-313	924-313	924-313	924-313	924-313
2	Bearing	PTFE/carbon	935-002	935-002	935-002	935-002	935-002
	Bearing, 3A	SUSTA-PVDF	935-099	935-099	935-099	935-099	935-099
3	Seal disk	1.4404	221-141.06	221-141.06	221-141.03	221-141.03	221-141.06
4	Bearing disk	1.4301	221-142.05	221-142.05	221-142.03	221-142.03	221-142.05
5	O-ring	EPDM	930-144	930-144	930-150	930-150	930-144
		FKM	930-171	930-171	930-176	930-176	930-171
		HNBR	930-633	930-633	930-634	930-634	930-633
6	O-ring	NBR	930-004	930-004	930-004	930-004	930-004
**7	V-ring	EPDM	932-021	932-021	932-024	932-024	932-021

Item	Designation	Material	2"/3" IPS	3"/2" IPS	3"/4" IPS	3"/6" IPS	4"/2" IPS
		FKM	932-033	932-033	932-035	932-035	932-033
		HNBR	932-088	932-088	932-090	932-090	932-088
**8	V-ring	EPDM	932-019	932-019	932-023	932-023	932-019
		FKM	932-032	932-032	932-034	932-034	932-032
		HNBR	932-084	932-084	932-089	932-089	932-084
9	Lantern DL	1.4301	221-236.01	221-236.01	221-236.02	221-236.02	221-236.01
15	Valve disk B	1.4404	221-317.19	221-317.20	221-317.12	221-317.11	221-317.25
16	Double-disk D.L	1.4404	221-238.17	221-238.19	221-238.13	221-238.13	221-238.21
29	O-ring	NBR	930-026	930-026	930-026	930-035	930-026
30	O-ring	NBR	930-026	930-026	930-026	930-026	930-026
34	Seat ring D	1.4404	221-108.02	221-108.02	221-108.03	221-108.03	221-108.02
43	Clamp connection KL	1.4401	221-507.04	221-507.03	221-507.03	221-507.03	221-507.11
46	Clamp connection KL	1.4401	221-507.06	221-507.09	221-507.09	221-507.09	221-507.06
65	Seal ring	EPDM	924-305	924-305	924-296	924-296	924-305
		FKM	924-307	924-307	924-308	924-308	924-307
		HNBR	924-333	924-333	924-331	924-331	924-333
66	Guide ring	Turcite	935-056	935-056	935-042	935-042	935-056
	Guide ring 3A	MF6	935-117	935-117	935-113	935-113	935-117
72	O-ring	EPDM	930-610	930-610	930-611	930-611	930-611
		FKM	930-662	930-662	930-663	930-663	930-663

Item	Designation	Material	2"/3" IPS	3"/2" IPS	3"/4" IPS	3"/6" IPS	4"/2" IPS
		HNBR	930-646	930-646	930-647	930-647	930-647
74	Snap seal	PVDF	221-000522	221-000522	221-000523	221-000523	221-000523
92	Balancer plug	1.4404	221-348.03	221-348.03	221-348.02	221-348.02	221-348.03
145	Leak indicator	1.4301	221-237.43	221-237.43	221-237.43	221-237.43	221-237.44
401	Housing V1	1.4404	221-101.37	221-101.37	221-101.35	221-101.35	221-101.37
402	Housing V2	1.4404	221-102.62	221-102.62	221-102.59	221-102.59	221-102.62
	Housing V2 tiered	1.4404	221-102.66	221-102.66	221-102.61	221-102.30	221-102.67
***	Housing DA-S	1.4404	--	221-406.07	--	--	221-406.17
	Housing DC-S	1.4404	221-406.05	--	221-406.13	221-406.15	--
	Housing DE-S	1.4404	221-406.06	221-406.08	221-406.14	221-406.16	221-406.18
A	Actuator VARIVENT®	See spare parts list/dimensions sheet for VARIVENT® actuator					
B	Control top T.VIS®	See parts list for control top T.VIS®					
	Control top S	See spare parts list for control top S					
L	Lifting actuator _LB	See spare parts list for lifting actuator _LB					
	Grease RIVOLTA F.L.G. 100g tube not included with seal set.	413-136					

\*\*\* With housing combinations with welded seat ring (welded housing), the angle position of the sockets to one another must be specified according to welding procedure 221RLI003578G on order.

Table 4: Spare parts list - mixproof valve type B\_C (IPS 2"/3" - 4"/2")

Spare parts list - mixproof valve type B\_C [IPS 4"/3" - 6"/4"]

Item	Designation	Material	4"/3" IPS	4"/6" IPS	6"/2" IPS	6"/3" IPS	6"/4" IPS
Seal set complete 1)		EPDM	221-519.88	221-519.89	221-519.87	221-519.88	221-519.89
		FKM	221-001050	221-001051	221-001049	221-001050	221-001051
		HNBR	221-528.94	221-528.95	221-528.93	221-528.94	221-528.95
1) The seal set includes items 1, 5, 6, 7, 8, 29, 30, 65, 72 and 74.							
** Do not grease items 7 and 8.							
1	Seal ring	EPDM	924-085	924-085	924-085	924-085	924-085
		FKM	924-083	924-083	924-083	924-083	924-083
		HNBR	924-313	924-313	924-313	924-313	924-313
2	Bearing	PTFE/carbon	935-002	935-002	935-002	935-002	935-002
	Bearing, 3A	SUSTA-PVDF	935-099	935-099	935-099	935-099	935-099
3	Seal disk	1.4404	221-141.03	221-141.04	221-141.06	221-141.03	221-141.04
4	Bearing disk	1.4301	221-142.03	221-142.03	221-142.05	221-142.03	221-142.03
5	O-ring	EPDM	930-150	930-156	930-144	930-150	930-156
		FKM	930-176	930-178	930-171	930-176	930-178
		HNBR	930-634	930-863	930-633	930-634	930-863
6	O-ring	NBR	930-004	930-004	930-004	930-004	930-004
**7	V-ring	EPDM	932-024	932-028	932-021	932-024	932-028

Item	Designation	Material	4"/3" IPS	4"/6" IPS	6"/2" IPS	6"/3" IPS	6"/4" IPS
		FKM	932-035	932-039	932-033	932-035	932-039
		HNBR	932-090	932-100	932-088	932-090	932-100
**8	V-ring	EPDM	932-023	932-027	932-019	932-023	932-027
		FKM	932-034	932-038	932-032	932-034	932-038
		HNBR	932-089	932-099	932-084	932-089	932-099
9	Lantern DL	1.4301	221-236.02	221-236.03	221-236.01	221-236.02	221-236.03
15	Valve disk B	1.4404	221-317.13	221-317.10	221-317.21	221-317.09	221-317.08
16	Double-disk D.L	1.4404	221-238.24	221-238.12	221-238.25	221-238.26	221-238.15
29	O-ring	NBR	930-026	930-026	930-035	930-035	930-026
30	O-ring	NBR	930-026	930-026	930-026	930-026	930-026
34	Seat ring D	1.4404	221-108.03	221-108.04	221-108.02	221-108.03	221-108.04
43	Clamp connection KL	1.4401	221-507.03	221-507.11	221-507.14	221-507.03	221-507.11
46	Clamp connection KL	1.4401	221-507.09	221-507.06	221-507.11	221-507.09	221-507.06
65	Seal ring	EPDM	924-296	924-254	924-305	924-296	924-254
		FKM	924-308	924-309	924-307	924-308	924-309
		HNBR	924-331	924-332	924-333	924-331	924-332
66	Guide ring	Turcite	935-042	935-043	935-056	935-042	935-043
	Guide ring 3A	MF6	935-113	935-114	935-117	935-113	935-114
72	O-ring	EPDM	930-611	930-611	930-610	930-611	930-611
		FKM	930-663	930-663	930-662	930-663	930-663

Item	Designation	Material	4"/3" IPS	4"/6" IPS	6"/2" IPS	6"/3" IPS	6"/4" IPS
		HNBR	930-647	930-647	930-646	930-647	930-647
74	Snap seal	PVDF	221-000523	221-000523	221-000522	221-000523	221-000523
92	Balancer plug	1.4404	221-348.02	221-348.01	221-348.03	221-348.02	221-348.01
145	Leak indicator	1.4301	221-237.43	221-237.43	221-237.43	221-237.43	221-237.43
401	Housing V1	1.4404	221-101.35	221-101.36	221-101.36	221-101.35	221-101.37
402	Housing V2	1.4404	221-102.59	221-102.60	221-102.62	221-102.59	221-102.60
	Housing V2 tiered	1.4404	221-102.61	221-102.31	221-102.22	221-102.30	221-102.31
***	Housing DA-S	1.4404	221-406.19	--	221-406.27	221-406.29	221-406.31
	Housing DC-S	1.4404	--	221-406.25	--	--	--
	Housing DE-S	1.4404	221-406.20	221-406.26	221-406.28	221-406.30	221-406.32
A	Actuator VARIVENT®	See spare parts list/dimensions sheet for VARIVENT® actuator					
B	Control top T.VIS®	See parts list for control top T.VIS®					
	Control top S	See spare parts list for control top S					
L	Lifting actuator _LB	See spare parts list for lifting actuator _LB					
	Grease RIVOLTA F.L.G. 100g tube not included with seal set.	413-136					

\*\*\* With housing combinations with welded seat ring (welded housing), the angle position of the sockets to one another must be specified according to welding procedure 221RLI003578G on order.

Table 5: Spare parts list - mixproof valve type B\_C (IPS 4"/3" - 6"/4")

**GEA Tuchenhagen GmbH**  
**Am Industriepark 2-10**  
**21514 Büchen , Germany**

**Phone +49 4155 49-0**

221ELI001355 Copyright © GEA Tuchenhagen - All rights reserved - Subject to modifications.