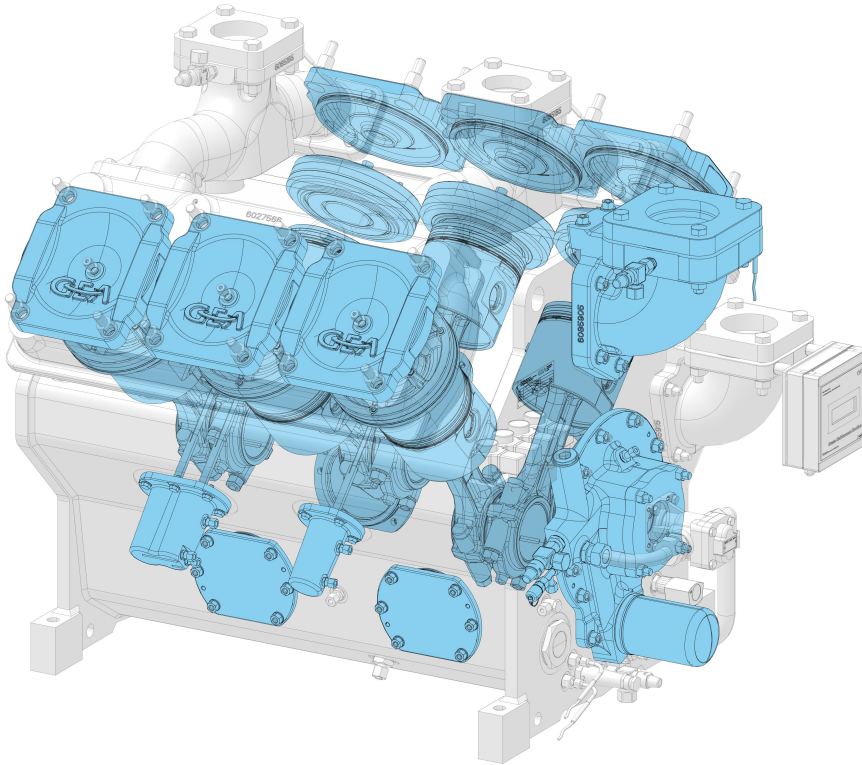


SPARE PARTS CATALOGUE

Instruction for KIT-B-V 1100(T) 3749018



Maintenance B

Grasso V 1100(T)

Company: GEA Refrigeration Netherlands N.V.

Document Number: 0087909

Version: 010 / Language: EN-GB / Publication date: 25.11.2025

Table of Contents

1	General	4
1.1	Release notes	4
1.2	About this document.....	4
1.3	Manufacturer address.....	4
1.4	Customer service.....	4
1.5	Order information.....	4
1.6	Mounting information.....	5
2	Packing list	6
3	Replacement parts service kit B	9

1 General

1.1 Release notes

#	Reference / Hyperlink contents of revision	Description
	Service Kits Instruction for KIT-B-V 1100(T) 3749018	GEA Refrigeration Netherlands N.V. Version 010 Release date 25.11.2025
	Previous versions	005, released December-2023 006, released February - 2024 007, released April - 2024 008, released April - 2025 009, released July - 2025
1	Small fixes version 010	Updated QR codes, part numbers and descriptions

1.2 About this document

This document is applicable to the compressors in the table below.

	First generation		Second generation	
	Single stage	Two stage	Single stage	Two stage
Normal	V 1100	V 1100T	V 1100-2	V 1100T-2
High Speed	V 1100 HS	V 1100T HS	V 1100-2 HS	V 1100T-2 HS

1.3 Manufacturer address

GEA Netherlands N.V.
Parallelweg 25
Netherlands
5223 AL 's-Hertogenbosch

1.4 Customer service

Phone	+31 73 6 203 911
Email	pistonspareparts@gea.com
Website	www.GEA.com

1.5 Order information

Our web shop <https://blushop.gea.com/> is recommended to identify and/or to order the right spare parts.

1.6 Mounting information

ATTENTION

How to assemble the parts is described in the Maintenance Instruction manual (MI). Refer to 2 *Packing list* for the QR-codes for the available documentation.

- To replace parts, follow the instructions in the Maintenance Instruction manual (MI).

2 Packing list

0087909 Packing List and Document References for Service Kit B, 3749018, V 1100(T)

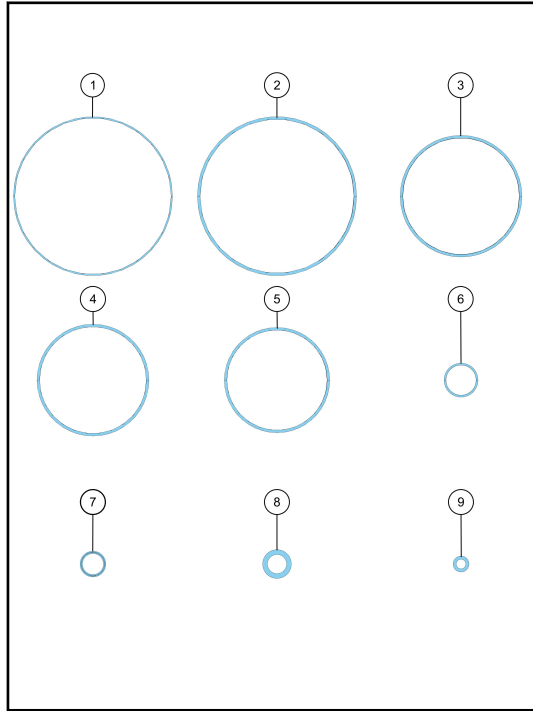
QR Document References 2nd Generation

SPC-KitB-V1100(T) 311753	II-VL-2 342789	MI-VL-2 348073	SPC-Parts-VL-2 (HS) 343872
	II-VLHS-2 342790	MI-VLHS-2 348074	

QR Document References 1st Generation

SPC-KitB-V1100(T) 311753	II-V 166213	MI-V 166185	SPC-Parts-VL 341543

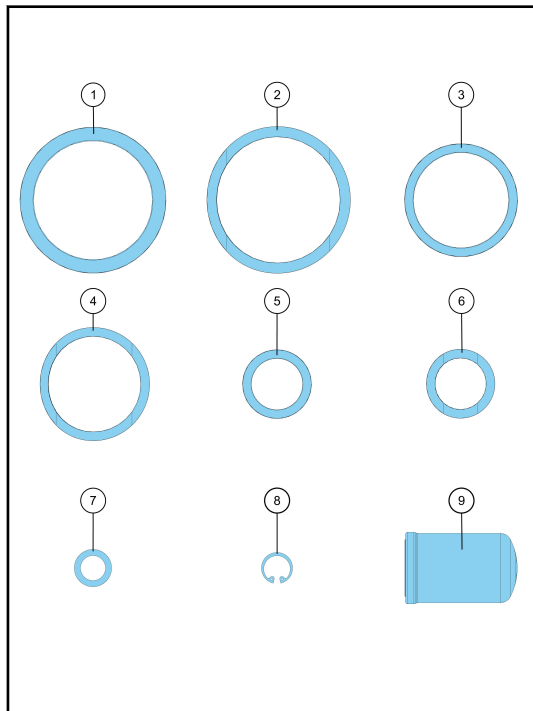
Contents 3749018 - Service Kit B, V 1100(T) (1/3)



Position Description

1	6x 0952198 O-RING 212.50 A
2	6x 0952722 O-RING 209.14 B
3	1x 0952384 O-RING 158.34 A
4	1x 0952374 O-RING 145.00 A
5	4x 0952363 O-RING 136.12 A
6	6x 0952289 O-RING 40.95 A
7	6x 0952328 QUAD RING 35
8	6x 1139600 LOCKING RING M12
9	36x 1139300 NL LOCK WASHER SET 6

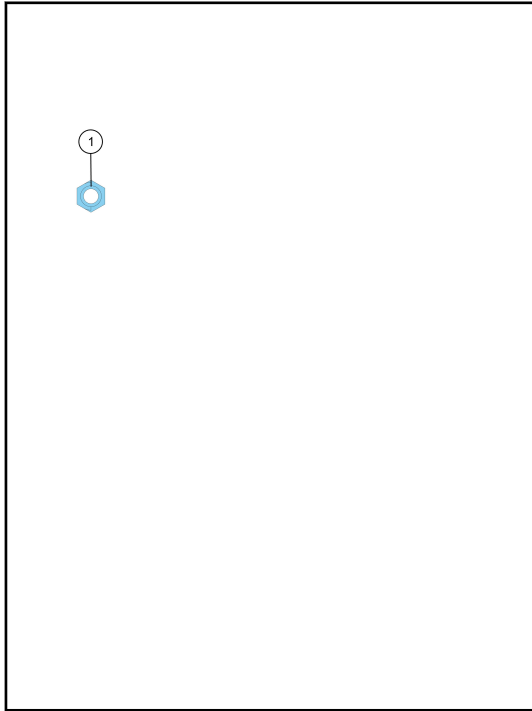
Contents 3749018 - Service Kit B, V 1100(T) (2/3)



Position Description

1	6x 1134163 SUCTION VALVE RING
2	12x 1133273 SINUSOIDAL SPRING 171x200 E
3	6x 1134129 DISCHARGE VALVE RING 129.8x153.8x4 450GL30 VL-Series
4	6x 1133129 SINUSOIDAL SPRING 129.8x154.1x0.8x11.5
5	6x 1134069 DISCHARGE VALVE RING 69.8x93.8x4 450GL30
6	6x 1133069 SINUSOIDAL SPRING 69.8x93.9x0.8x4.2
7	12x 1139800 NL LOCK WASHER SET 16
8	12x 1104040 INTERNAL CIRCLIP 40x1.75
9	1x 0711027 OIL FILTER GRASSO V

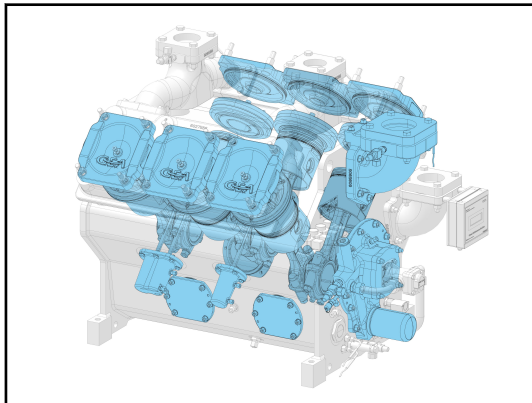
Contents 3749018 - Service Kit B, V 1100(T) (3/3)



Position Description

1 6x 0145600 LOCKING NUT M12

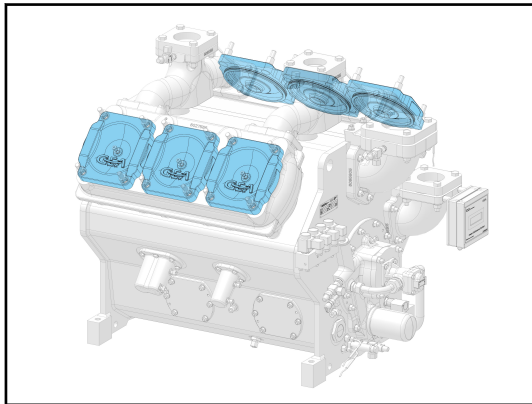
Overview 3749018 - Service Kit B, V 1100(T)



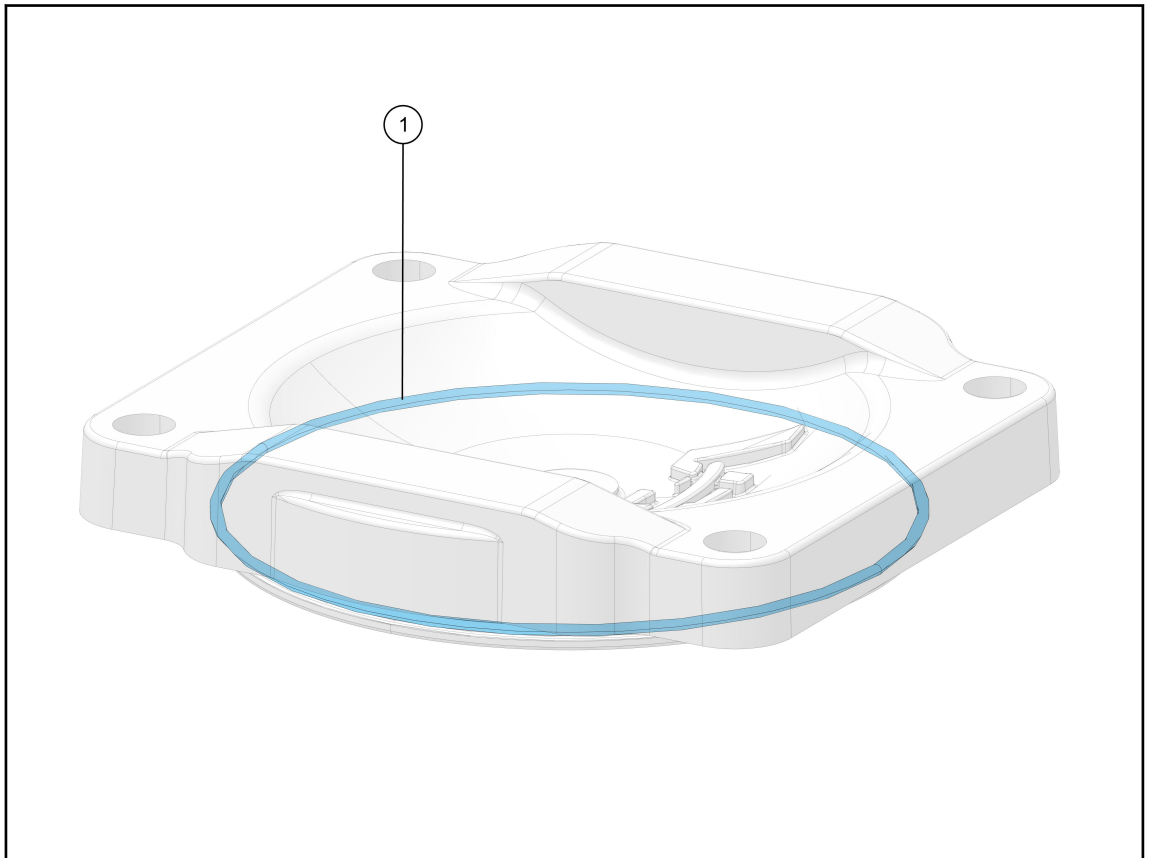
3 Replacement parts service kit B

Cylinder head cover

Location of the cylinder head covers



Spare parts cylinder head cover



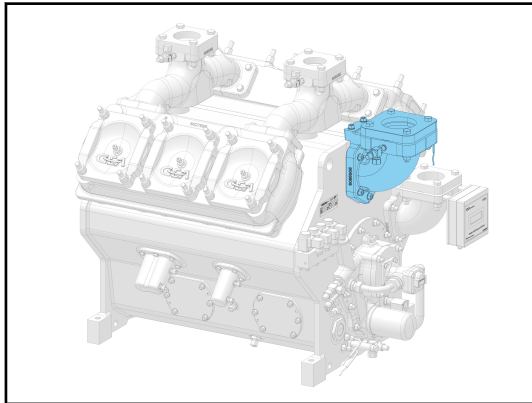
Position Description

Position Description

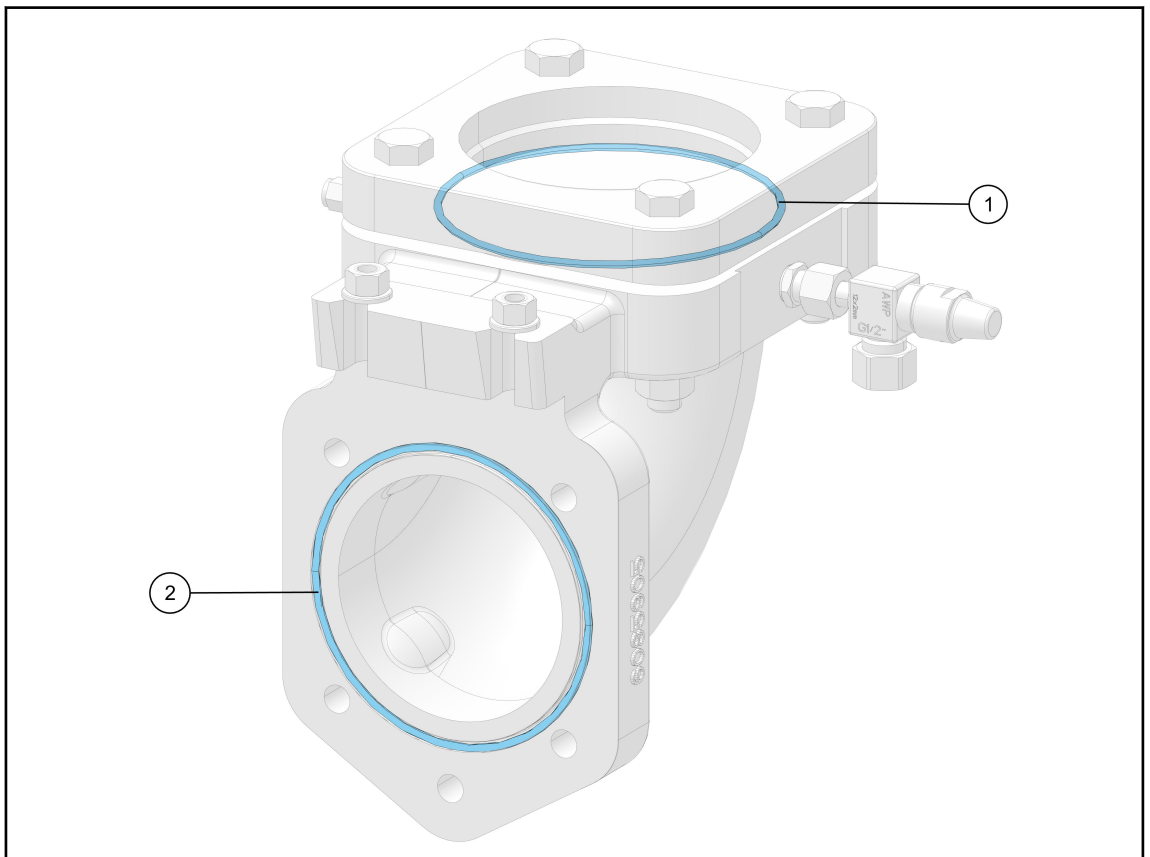
1 1x 0952722 O-RING 209.14 B

Suction elbow

Location of the suction elbow



Spare parts suction elbow



Position Description

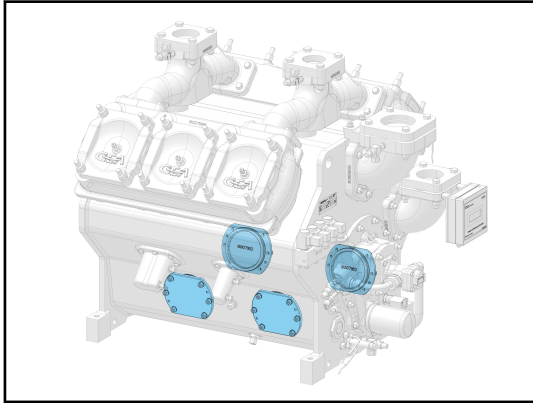
1 1x 0952384 O-RING 158.34 A

Position Description

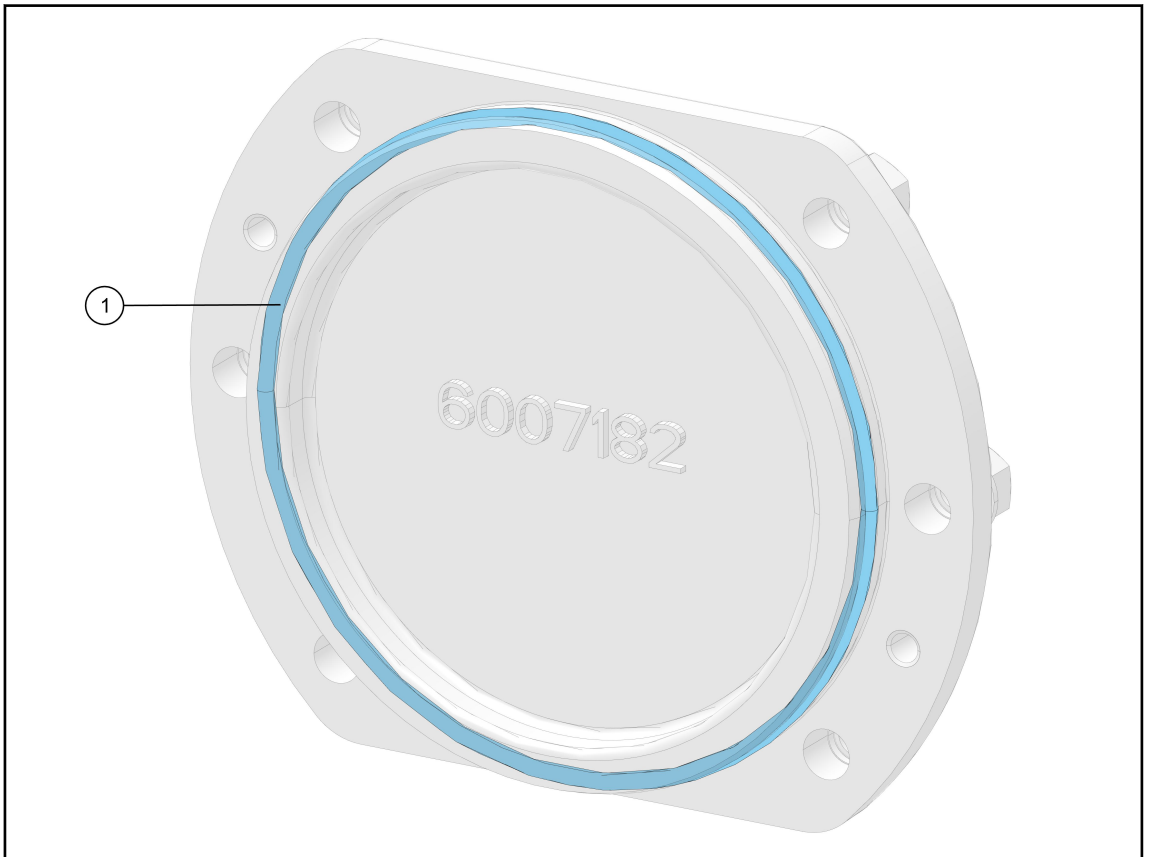
2 1x 0952374 O-RING 145.00 A

Service cover

Location of the service cover



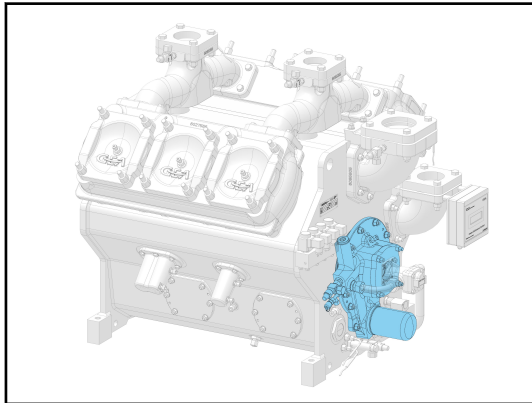
Spare parts service cover



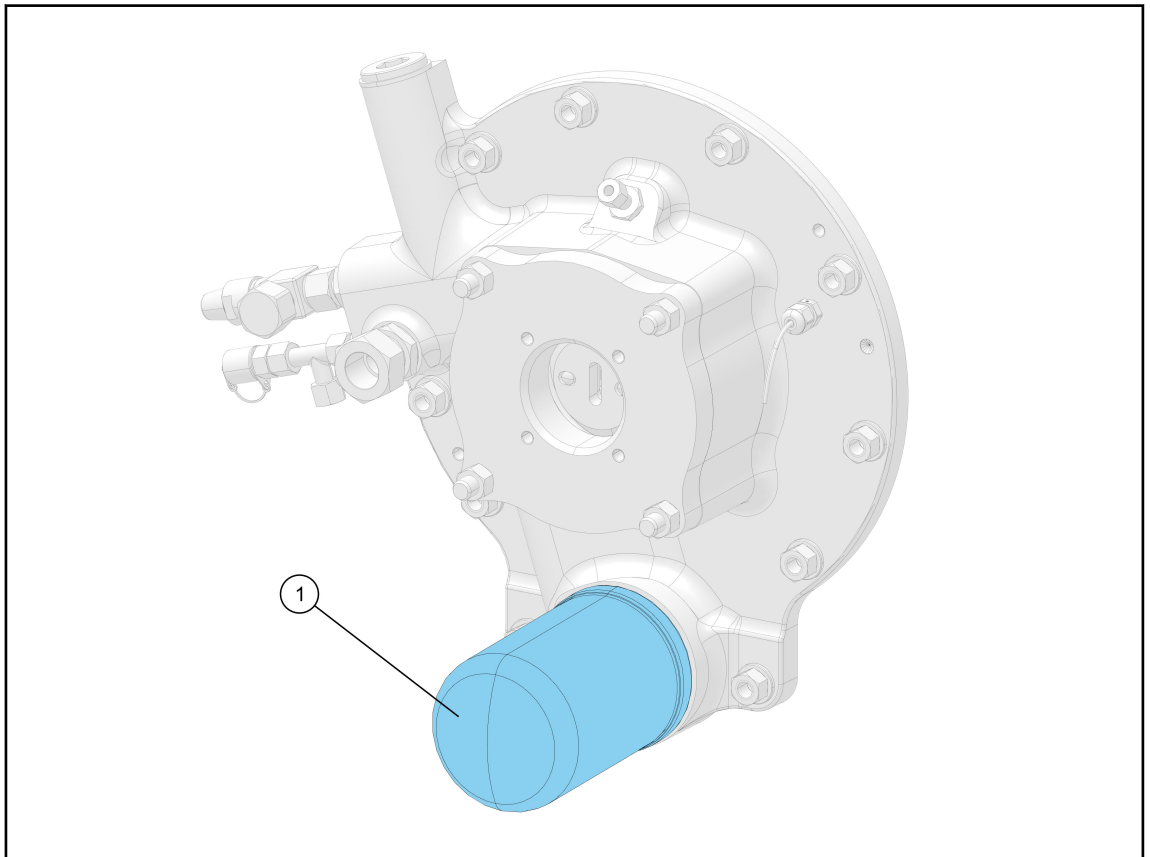
Position Description	Position Description
1	1x 0952363 O-RING 136.12 A

Oil discharge filter

Location of the oil discharge filter



Spare parts oil discharge filter



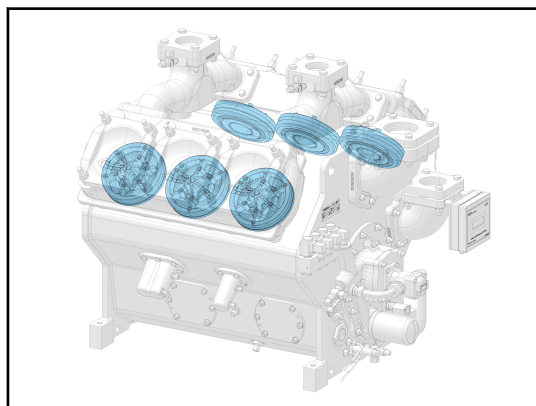
Position Description

Position Description

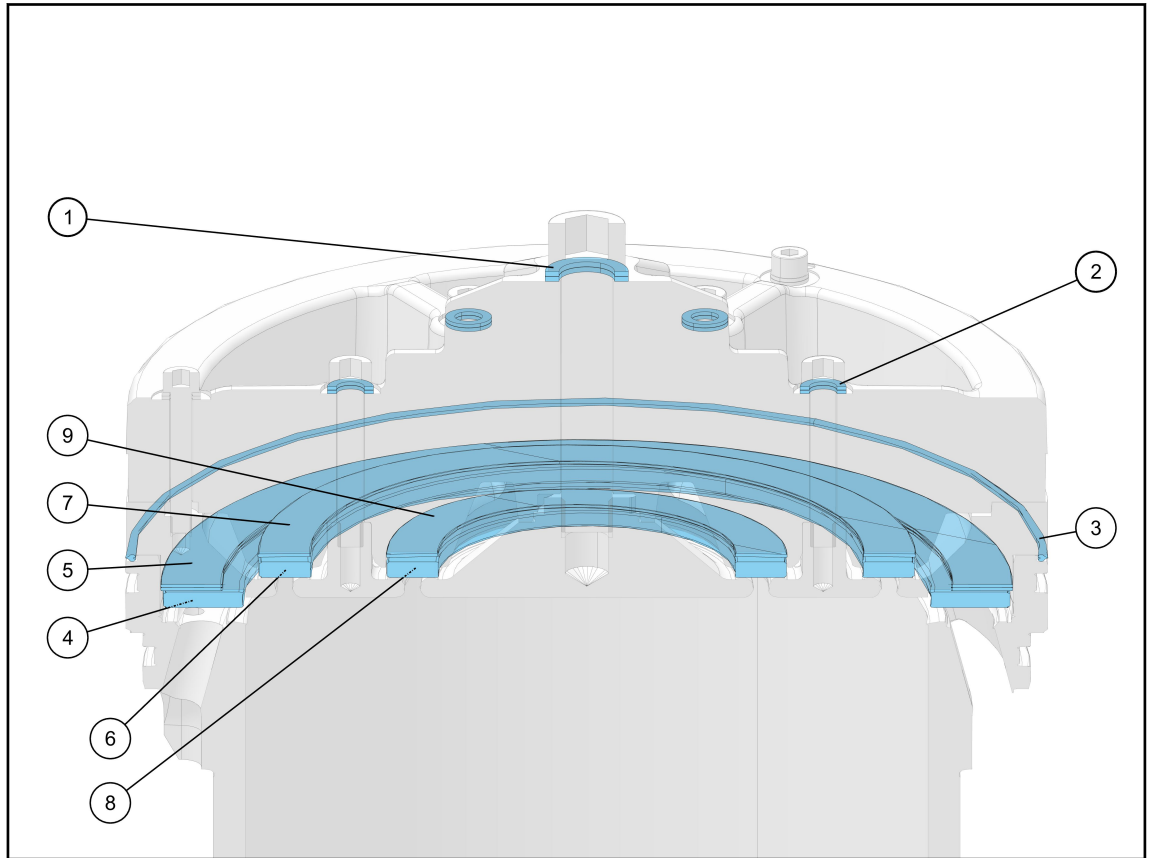
1 1x 0711027 OIL FILTER GRASSO V

Discharge valves

Location of discharge valves



Spare parts discharge valve

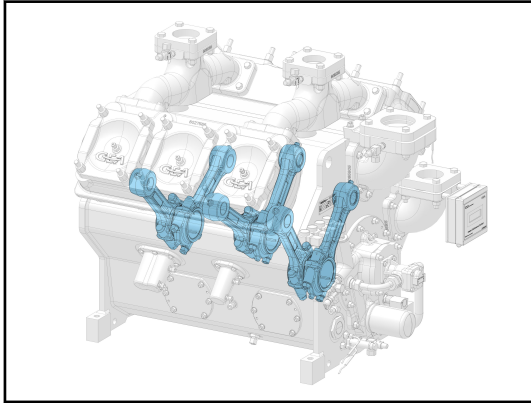


Position	Description	Position	Description
1	1x 1139600 LOCKING RING M12	2	1x 1139300 NL LOCK WASHER SET 6
3	2x 0952198 O-RING 212.50 A	4	1x 1134163 SUCTION VALVE RING
5	2x 1133273 SINUSOIDAL SPRING 171x200 E	6	1x 1134129 DISCHARGE VALVE RING 129.8x153.8x4 450GL30 VL-Series
7	2x 1133129 SINUSOIDAL SPRING129.8x154.1x0.8x11.5	8	1x 1134069 DISCHARGE VALVE RING 69.8x93.8x4 450GL30
9	2x 1133069 SINUSOIDAL SPRING 69.8x93.9x0.8x4.2		

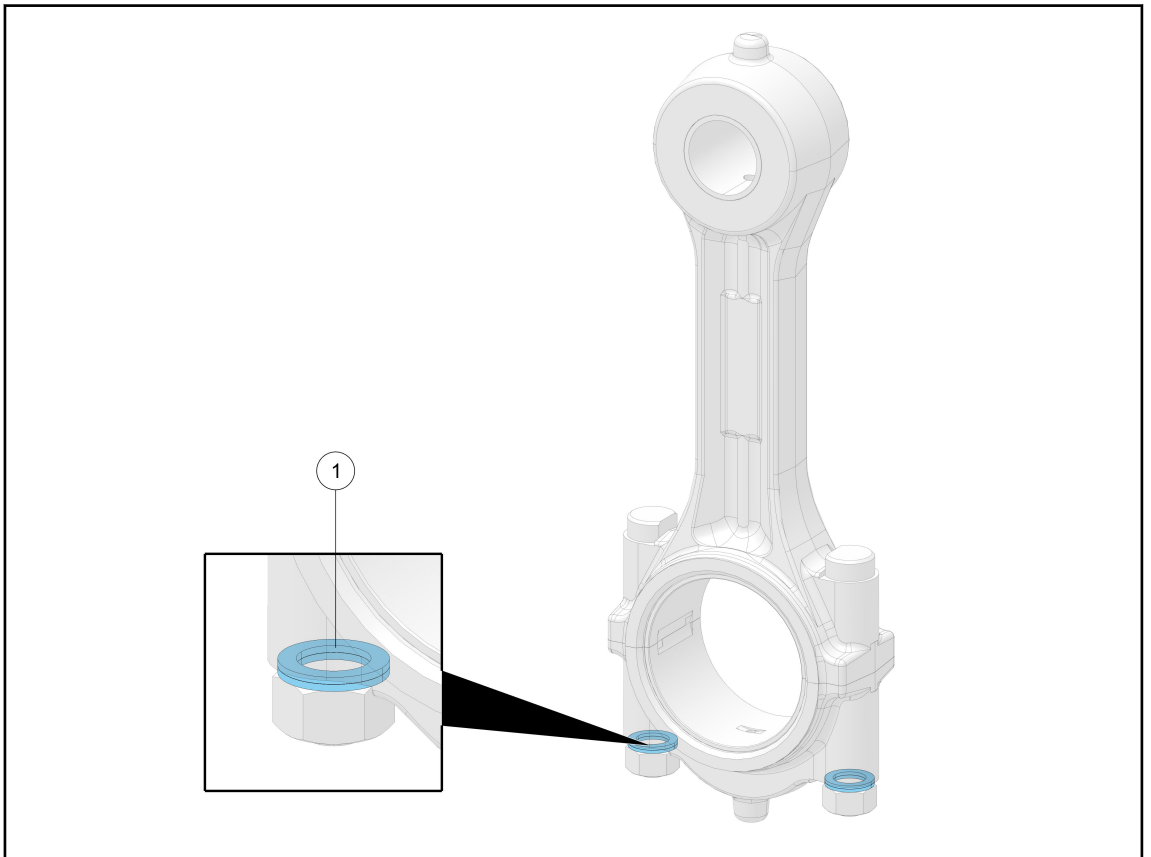
Item number 0145600 only applies to a discharge valve with a stud bolt. Then the locking nut must be replaced.

Conrod

Location of the conrods



Spare parts conrods



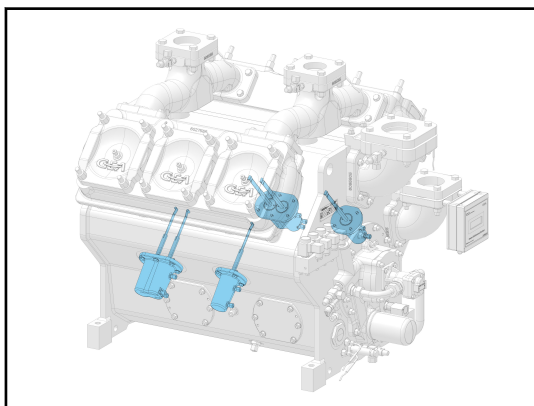
Position Description

Position Description

1 2x 1139800 NL LOCK WASHER SET 16

Valve lifting mechanism

Location of the valve lifting mechanism



Spare parts valve lifting mechanism

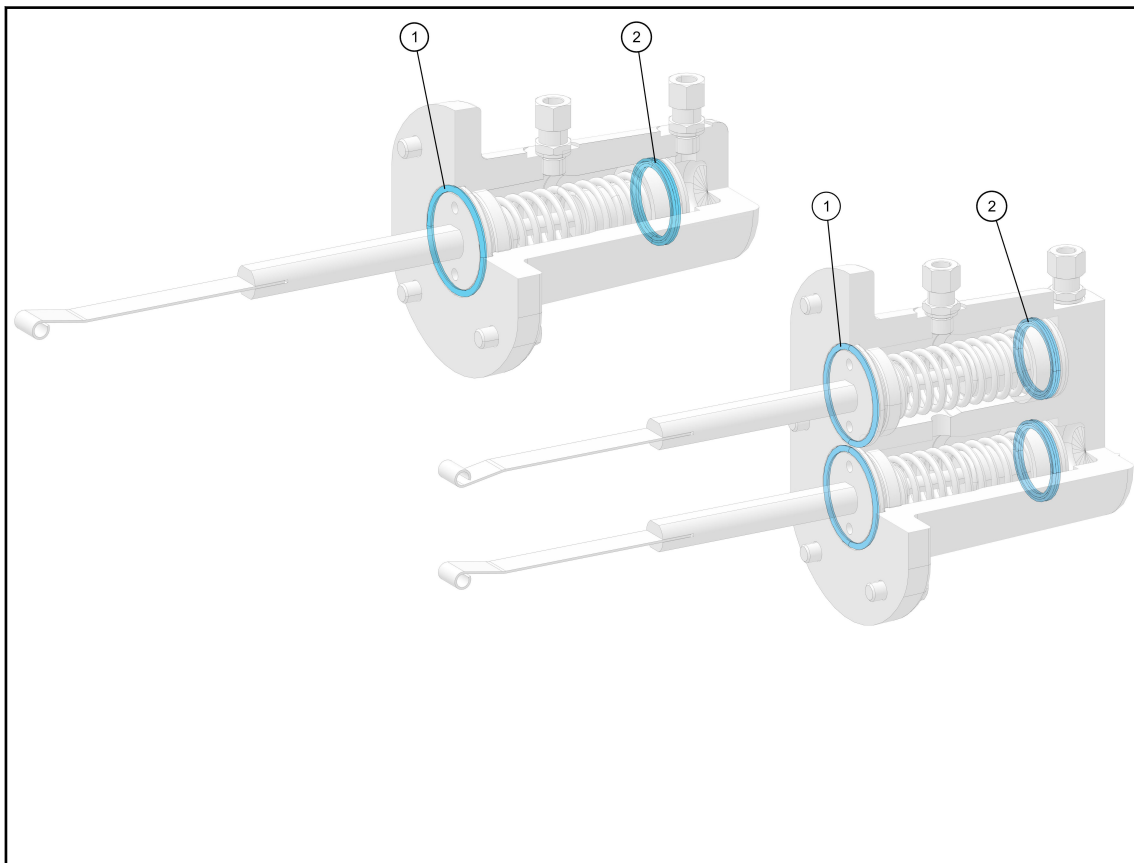
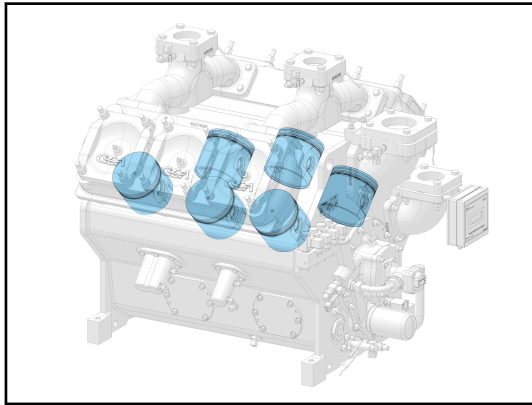


Figure 3-1 - VALVE LIFTING

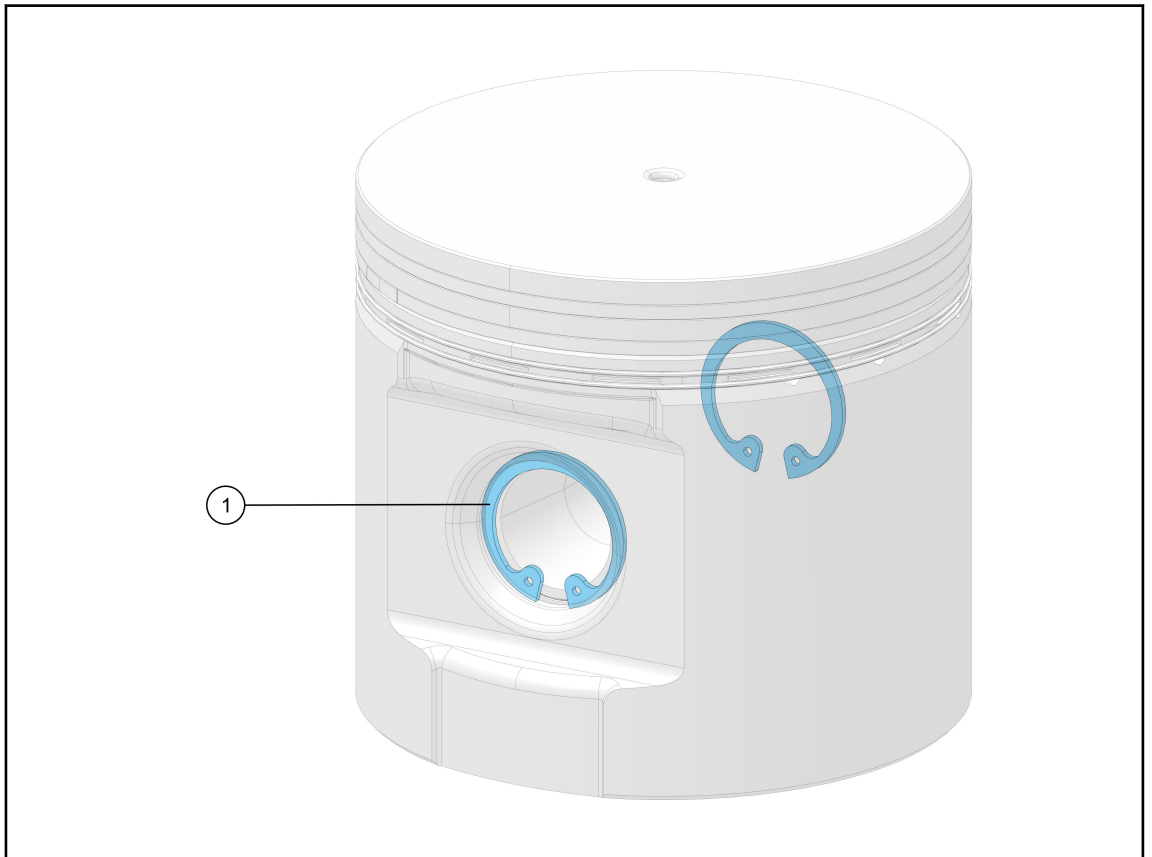
Position	Description	Position	Description
1	3x 0952289 O-RING 40.95 A	2	3x 0952328 QUAD RING 35

Pistons

Location of the pistons



Spare parts pistons



Position Description

Position Description

1 2x 1104040 INTERNAL CIRCLIP 40x1.75

GEA Netherlands N.V.
Parallelweg 25
5223 AL 's-Hertogenbosch , Netherlands

Phone +31 73 6 203 911

SPC-Kits Copyright © GEA Netherlands - All rights reserved - Subject to modifications.