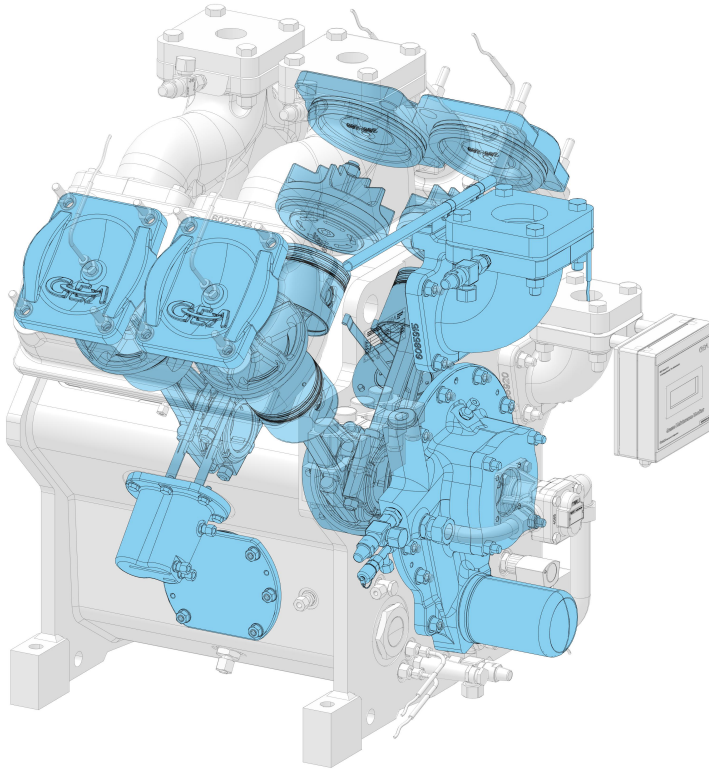


# SPARE PARTS CATALOGUE

Instruction for KIT-B V 300(T) - 3781017



## Maintenance B

### Grasso V 300(T)

Company: GEA Refrigeration Netherlands N.V.

Document Number: 0087905

Version: 010 / Language: EN-GB / Publication date: 24.11.2025



# Table of Contents

<b>1</b>	<b>General</b> .....	<b>4</b>
1.1	Release notes .....	4
1.2	About this document.....	4
1.3	Manufacturer address.....	4
1.4	Customer service.....	4
1.5	Order information.....	4
1.6	Mounting information.....	5
<b>2</b>	<b>Packing list</b> .....	<b>6</b>
<b>3</b>	<b>Replacement parts service kit B</b> .....	<b>9</b>

# 1 General

## 1.1 Release notes

#	Reference / Hyperlink contents of revision	Description
	Service Kits Instruction for KIT-B V 300(T) - 3781017	GEA Refrigeration Netherlands N.V. Version 010 Release date 24.11.2025
	Previous versions	005, released December-2023 006, released February - 2024 007, released April - 2024 008, released April - 2025 009, released July - 2025
1	Small fixes version 010	Updated QR codes, part numbers and descriptions

## 1.2 About this document

This document is applicable to the compressors in the table below.

	First generation		Second generation	
	Single stage	Two stage	Single stage	Two stage
Normal	V 300	V 300T	V 300-2	V 300T-2
High Speed	V 300 HS	V 300T HS	V 300-2 HS	V 300T-2 HS
High Pressure	V 300 HP		V 300-2 HP	

## 1.3 Manufacturer address

GEA Netherlands N.V.  
Parallelweg 25  
Netherlands  
5223 AL 's-Hertogenbosch

## 1.4 Customer service

Phone	+31 73 6 203 911
Email	pistonspareparts@gea.com
Website	www.GEA.com

## 1.5 Order information

Our web shop <https://blushop.gea.com/> is recommended to identify and/or to order the right spare parts.

## 1.6 Mounting information

### ATTENTION










**How to assemble the parts is described in the Maintenance Instruction manual (MI). Refer to 2 Packing list for the QR-codes for the available documentation.**

- To replace parts, follow the instructions in the Maintenance Instruction manual (MI).









## 2 Packing list

0087905 Packing List and Document References for Service Kit B,  
3781017, V 300(T)

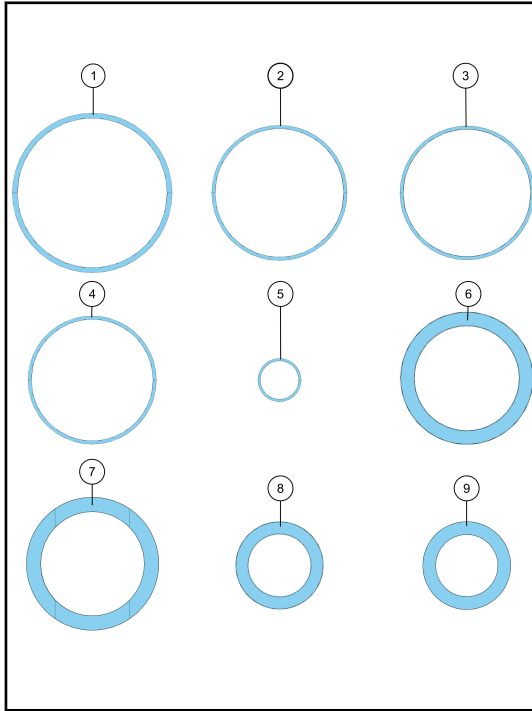
QR Document References 2nd Generation

			
SPC-KitB-V300(HP) 310293	II-VM-2 342801	MI-VM-2 348075	SPC-Parts VM-2(HS) 343874
			
	II-VMHS-2 342802	MI-VMHS-2 348076	
			
	II-VMHP-2 342803	MI-VMHP-2 348077	SPC-Parts-VHP 242925

QR Document References 1st Generation

			
SPC-KitB-V300(HP) 310293	II-V 166213	MI-V 166185	SPC-Parts-VM 166190
			
	II-VHP 247632	MI-VHP 248394	SPC-Parts-VHP 242925

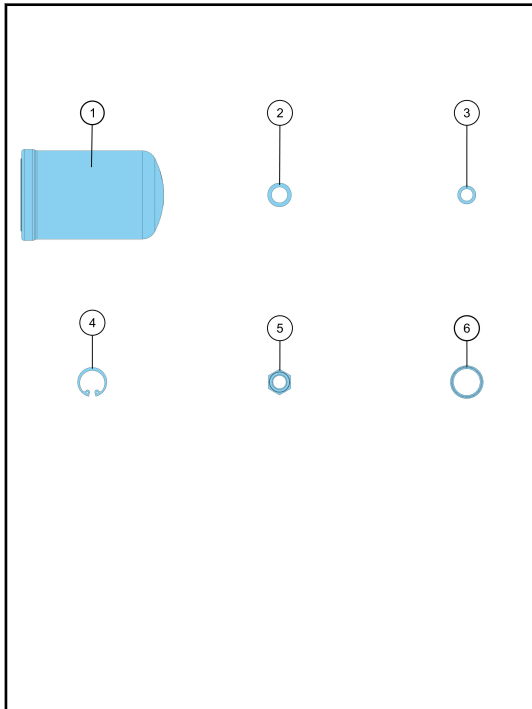
Contents 3781017 - Service Kit B, V 300(T) (1/2)



Position Description

Position	Description
1	4x 0952742 O-RING 160.00 B
2	4x 0952789 O-RING 137.44 B
3	2x 0952363 O-RING 136.12 A
4	2x 0952353 O-RING 130.00 A
5	4x 0952289 O-RING 40.95 A
6	4x 1134112 SUCTION VALVE RING
7	4x 1133210 SINUSOIDAL SPRING 111x42.35x0.7x5
8	4x 1134067 DISCHARGE VALVE RING
9	4x 1133068 SINUSOIDAL SPRING 66x94.15x0.7x5

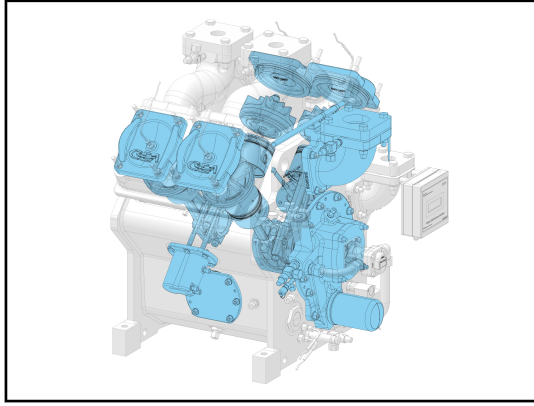
Contents 3781017 - Service Kit B, V 300(T) (2/2)



Position Description

Position	Description
1	1x 0711027 OIL FILTER GRASSO V
2	4x 1139800 NL LOCK WASHER SET 16
3	8x 1139600 LOCKING RING M12
4	8x 1104030 INTERNAL CIRCLIP 30x1.2
5	4x 0145800 LOCKING NUT M16
6	4x 0952328 QUAD RING 35

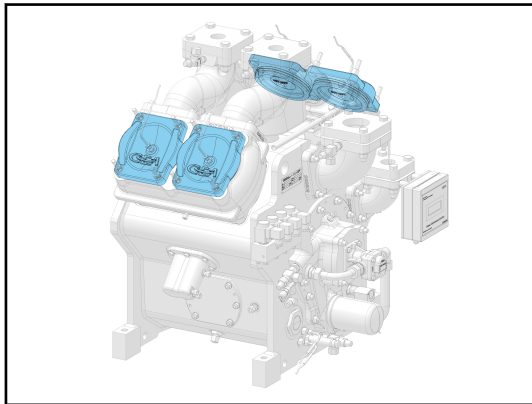
### Overview 3781017 - Service Kit B, V 300(T)



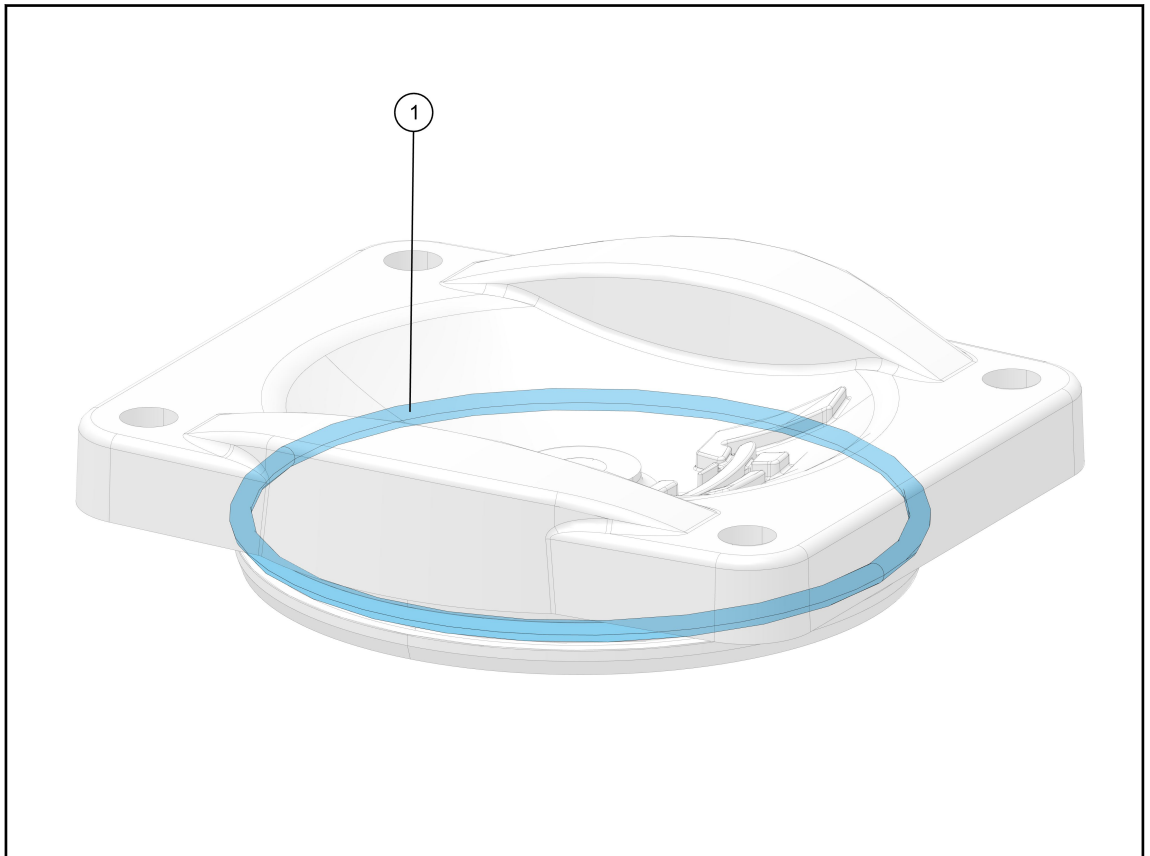
### 3 Replacement parts service kit B

#### Cylinder head cover

Location of the cylinder head covers



Spare parts cylinder cover



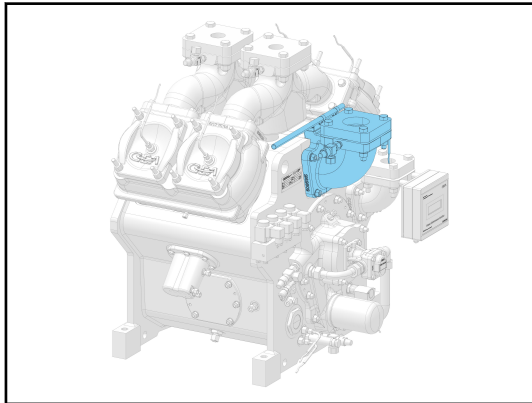
Position Description

Position Description

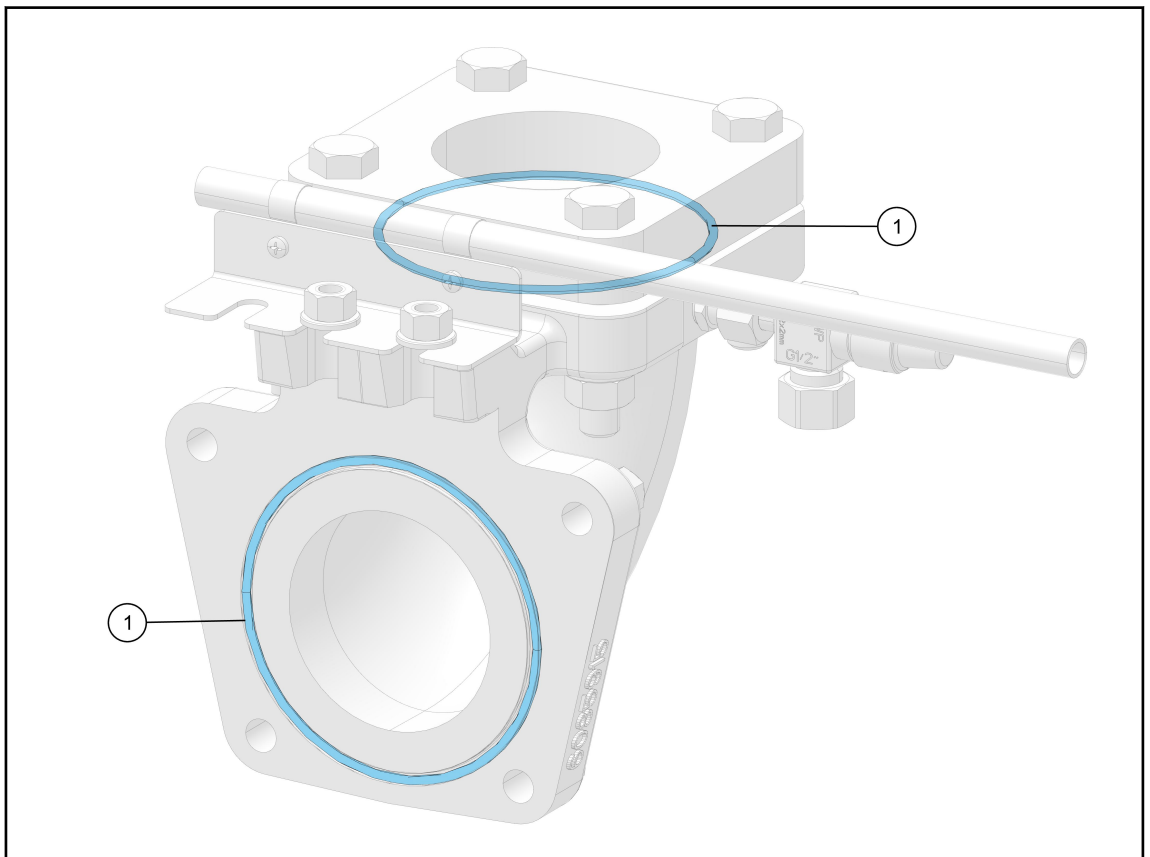
1 1x 0952742 O-RING 160.00 B

## Suction elbow

Location of the suction elbow



Spare parts suction elbow



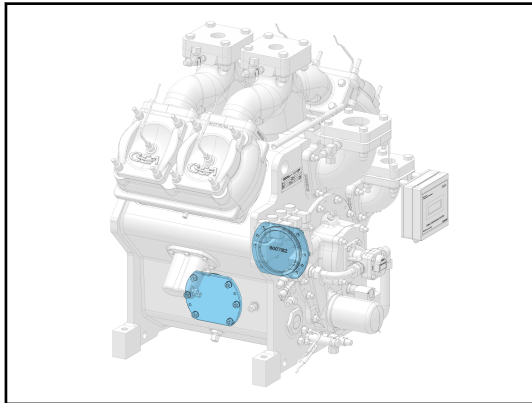
Position Description

Position Description

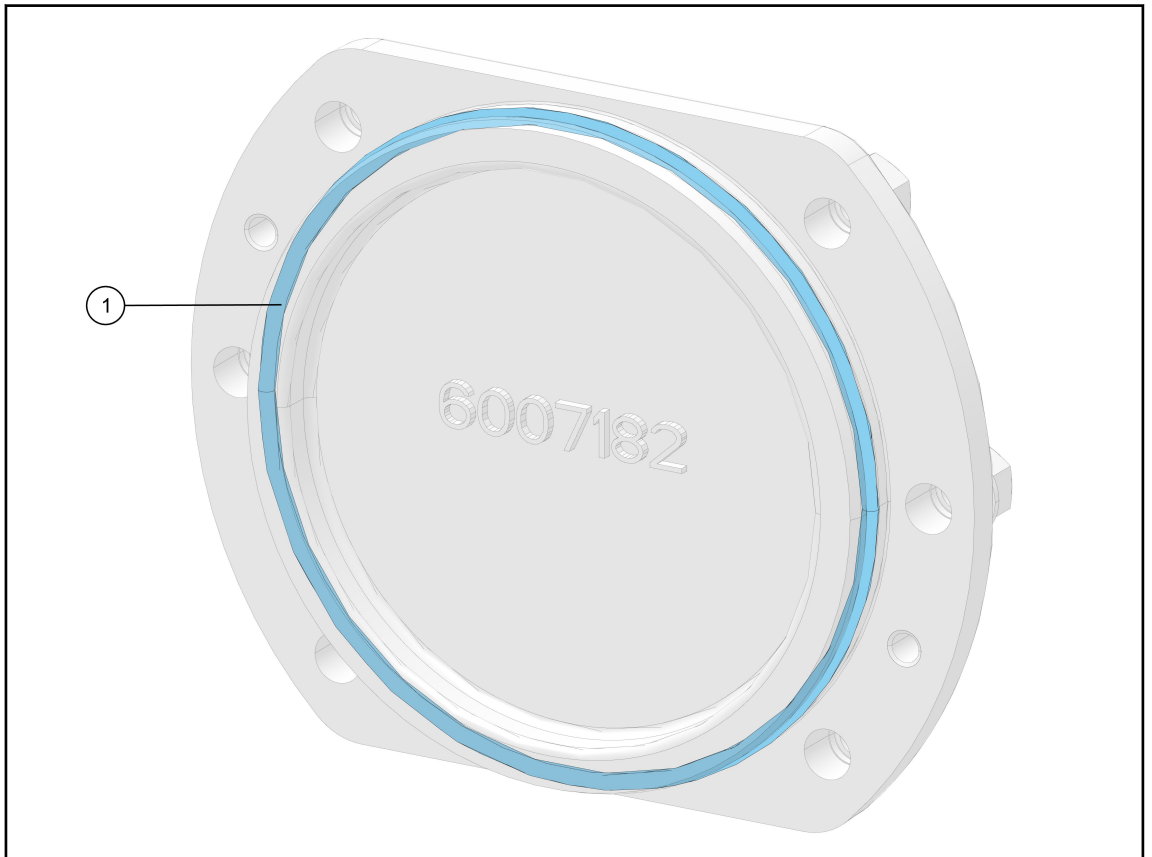
1 2x 0952353 O-RING 130.00 A

## Service cover

Location of the service cover



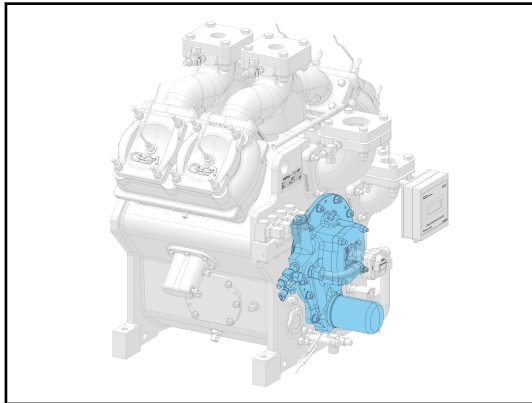
Spare parts service cover



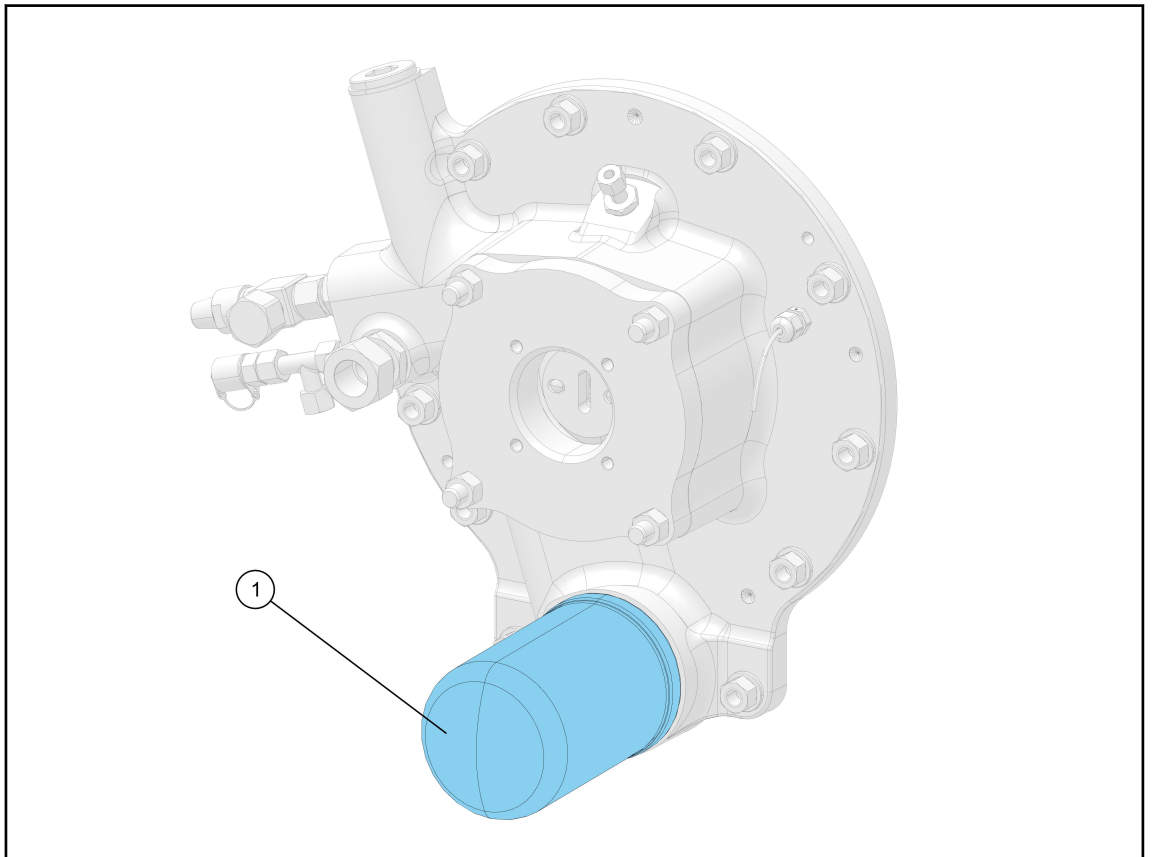
Position Description	Position Description
1	1x 0952363 O-RING 136.12 A

## Oil discharge filter

### Location of the oil discharge filter



### Spare parts oil discharge filter



---

Position Description

Position Description

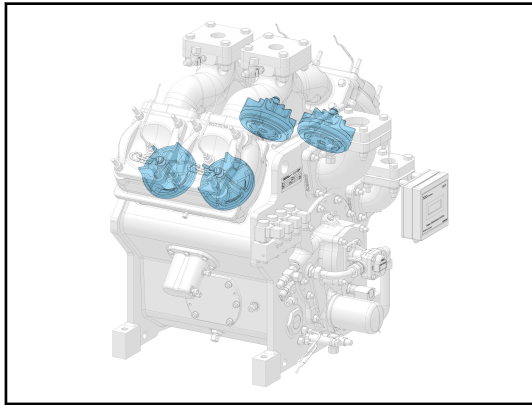
---

1 1x 0711027 OIL FILTER GRASSO V

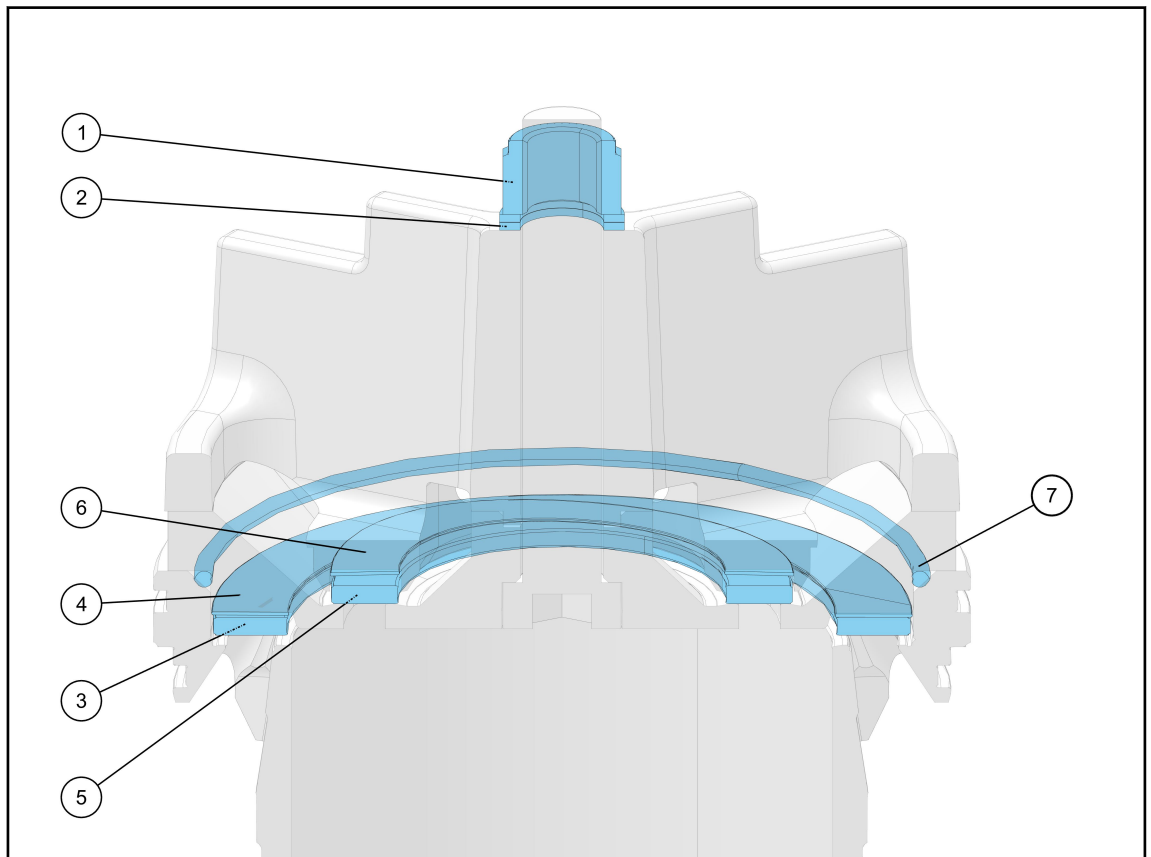
---

## Discharge valves

### Location of discharge valves



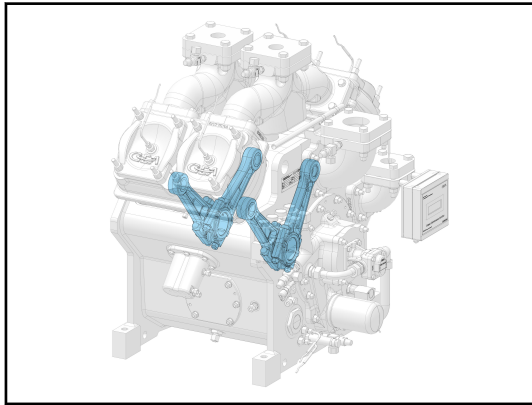
### Spare parts discharge valve



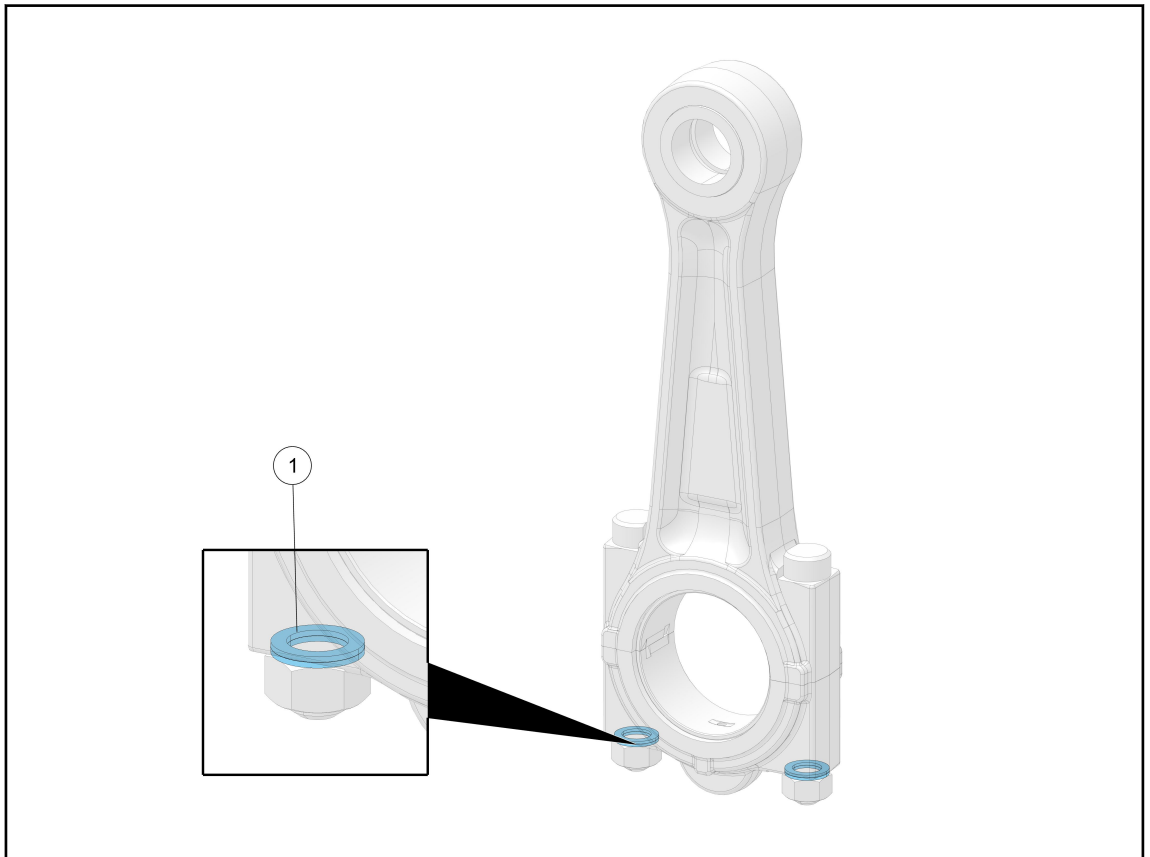
Position	Description	Position	Description
1	1x 0145800 LOCKING NUT M16	2	1x 1139800 NL LOCK WASHER SET 16
3	1x 1134112 SUCTION VALVE RING	4	1x 1133210 SINUSOIDAL SPRING 111x42.35x0.7x5
5	1x 1134067 DISCHARGE VALVE RING	6	1x 1133068 SINUSOIDAL SPRING 66x94.15x0.7x5
7	1x 0952789 O-RING 137.44 B		

## Conrod

### Location of the conrods



### Spare parts conrods



---

Position Description

Position Description

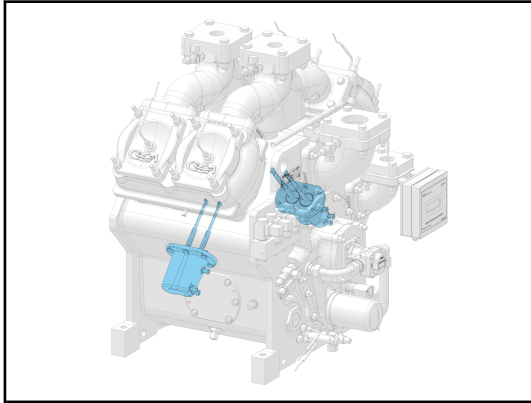
---

1 2x 1139600 LOCKING RING M12

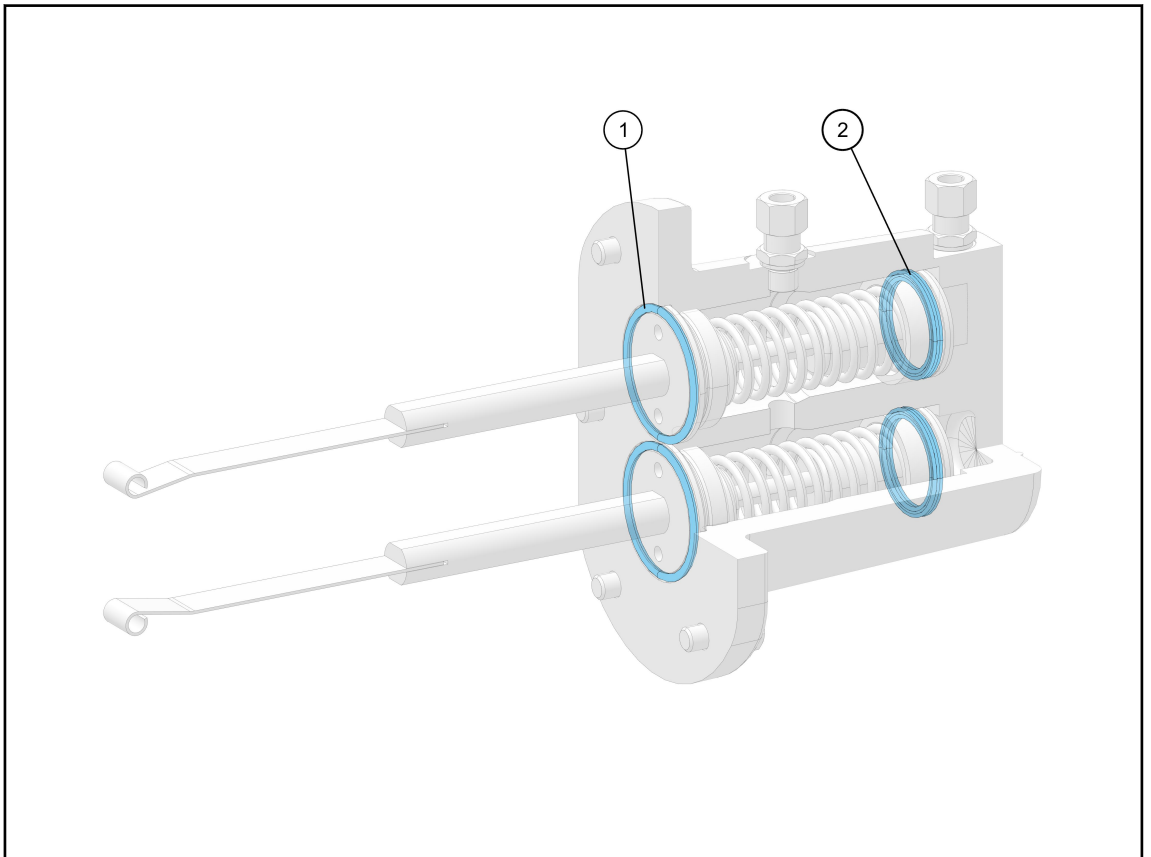
---

## Valve lifting mechanism

Location of the valve lifting mechanism



Spare parts valve lifting mechanism



Position Description

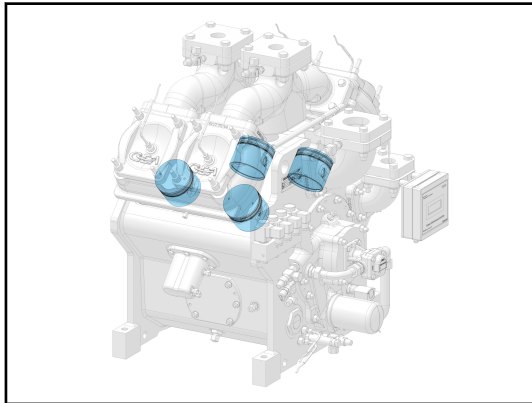
1 2x 0952289 O-RING 40.95 A

Position Description

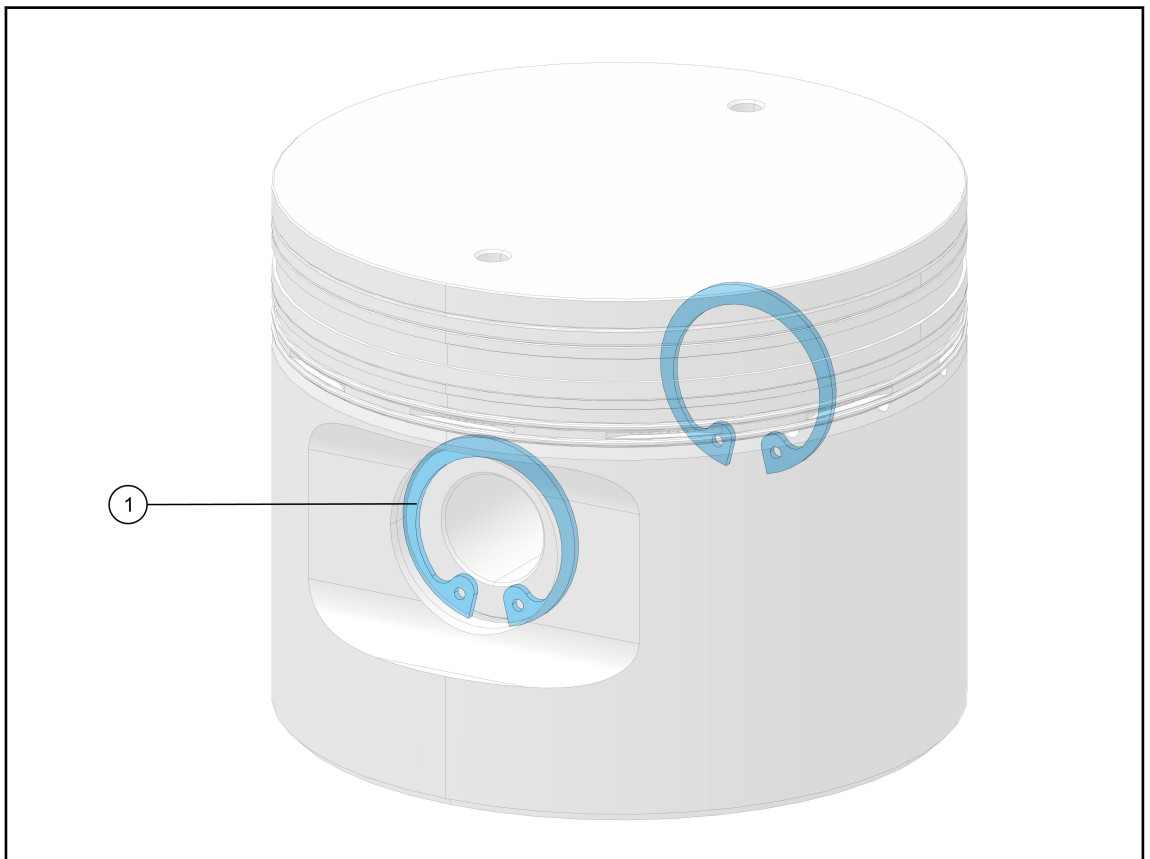
2 2x 0952328 QUAD RING 35

## Pistons

### Location of the pistons



### Spare parts pistons



Position Description

Position Description

1 2x 1104030 INTERNAL CIRCLIP 30x1.2



**GEA Netherlands N.V.**  
**Parallelweg 25**  
**5223 AL 's-Hertogenbosch , Netherlands**

**Phone +31 73 6 203 911**

SPC-Kits Copyright © GEA Netherlands - All rights reserved - Subject to modifications.