



Single Beam Freestall Mounting System

Comfort and versatility, designed for today's cows

GEA Farm Equipment | Norbco

engineering for a better world

GEA Farm Technologies

Proven cow comfort — heavy-duty mounting system offers excellent stall usage

Innovative and proven design — patent pending (Patent No. 7,469,658 and 6,925,962).

Can be used with any bedding system — works well with Sofmat system, sand, mattresses and manure solids.

Ultimate in cow comfort — unobstructed lunge space.

Excellent for remodeling — no concrete work necessary.

Unmatched versatility — height and width of stall can be adjusted at any time.

Heavy-duty galvanized mounting beam — 6" x 3" high tensile strength tubing (also available in black iron).



Excellent stall usage



Cow comfort

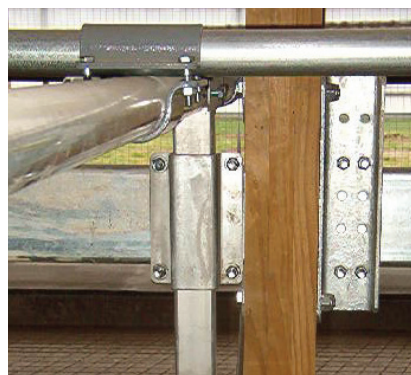


Heavy-duty mounting system

Easy installation — designed to work in any application



Pipe mount — no attachments to floor required, can be clamped to 3½" or 4½" OD pipe. Post spacing, can be up to 12 ft. apart.



Wood mount — speeds installation; no concrete work required.



Steel column mount — can be installed in new or existing buildings.

Flexible design — works well for all breeds of dairy cattle as well as youngstock

Vertical standpipe — is fastened to the beam with u-bolts and clamps.

Freestall loops — fasten directly to standpipe.

Single or double row available — will adapt to 3 row, 4 row, 6 row or any style freestall barn.

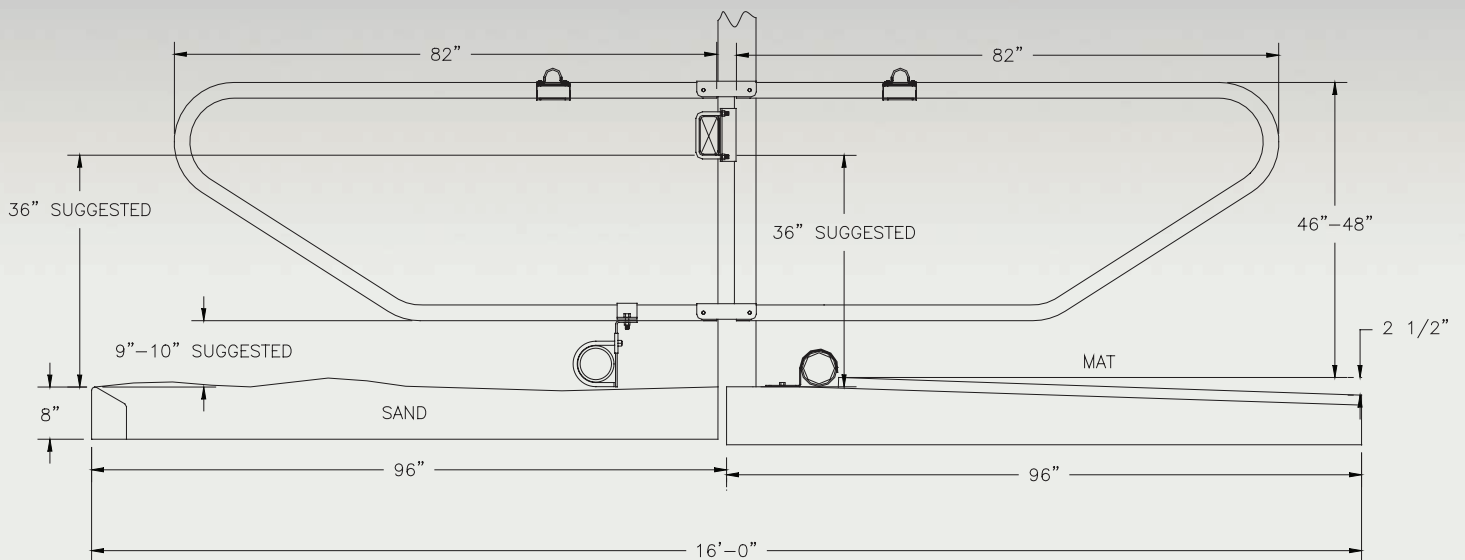
Complete flexibility — with adjustable stall width and neck rail height.

Limits the cow's ability to walk through the front of the stall — while allowing her to easily get up and down without obstruction.

Single beam mounting system will span up to 12 ft. — eliminates or reduces the need for intermediate posts.



Installation guidelines for single beam freestall mounting system



Cushion Cross Clamp — new innovative design; patent pending

Hot dipped cast steel — makes this clamp extremely durable.

Easy to install — only two bolts that cannot be over tightened.

Rubber insert — separates and cushions the pipes to prevent pipe distortion.

Durable, reliable construction — this clamp will stay tight, reducing freestall maintenance.





We live our values.

Excellence • Passion • Integrity • Responsibility • GEA-versity

GEA Group is a global engineering company with multi-billion euro sales and operations in more than 50 countries. Founded in 1881, the company is one of the largest providers of innovative equipment and process technology. GEA Group is listed in the STOXX® Europe 600 index.

GEA Farm Technologies

GEA Farm Technologies, Inc.

4754 State Route 233, Westmoreland, NY 13490
Tel: 315.853.3936
www.gea.com | www.gea-farmtechnologies.com/norbco/en

20903 W. Gale Avenue, Galesville, WI 54630
Tel: 608.582.3081
www.gea.com | www.gea-farmtechnologies.com/norbco/en

2500 E Tulare Avenue, Tulare, CA 93274
Tel: 559.686.7835
www.gea.com | www.gea-farmtechnologies.com/norbco/en